



ZMM55-C2V4 SERIES

SURFACE MOUNT ZENER DIODES

VOLTAGE 2.4 to 75 Volt

POWER 500 mWatt

MINI-MELF / LL34

Unit : inch(mm)

FEATURES

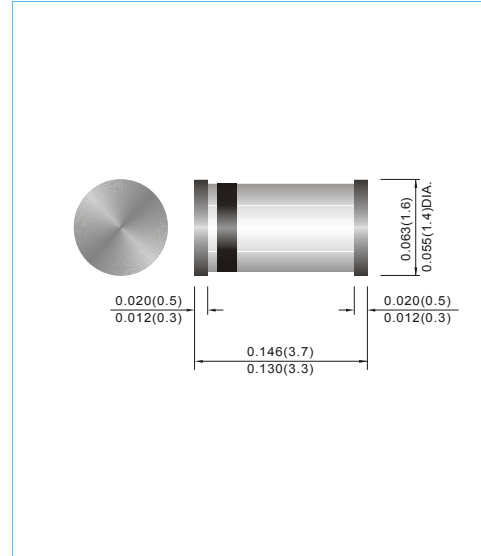
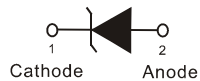
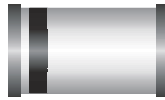
- Planar Die construction
- 500mW Power Dissipation
- Ideally Suited for Automated Assembly Processes
- Lead free in compliance with EU RoHS 2.0

MECHANICAL DATA

- Case: Molded Glass MINI-MELF
- Terminals: Solderable per MIL-STD-750, Method 2026
- Polarity: See Diagram Below
- Approx. Weight: 0.03 grams
- Packing information

T/R - 2.5K per 7" plastic Reel

T/R - 10K per 13" plastic Reel



MAXIMUM RATINGS AND ELECTRICAL CHARACTERISTICS

| Parameter | Symbol | Value | Units |
|---|-----------|-------------|------------------|
| Power Dissipation at $T_A = 25^\circ\text{C}$ | P_{TOT} | 500 | mW |
| Operating Junction Temperature Range | T_J | -65 to +175 | $^\circ\text{C}$ |
| Storage Temperature Range | T_S | -65 to +175 | $^\circ\text{C}$ |

| Parameter | Symbol | Min. | Typ. | Max. | Units |
|--|-----------------|------|------|------|----------------------------|
| Thermal Resistance Junction to Ambient Air | $R_{\theta JA}$ | -- | -- | 0.3 | $^\circ\text{C}/\text{mW}$ |
| Forward Voltage at $I_F = 200\text{mA}$ | V_F | -- | -- | 1.5 | V |



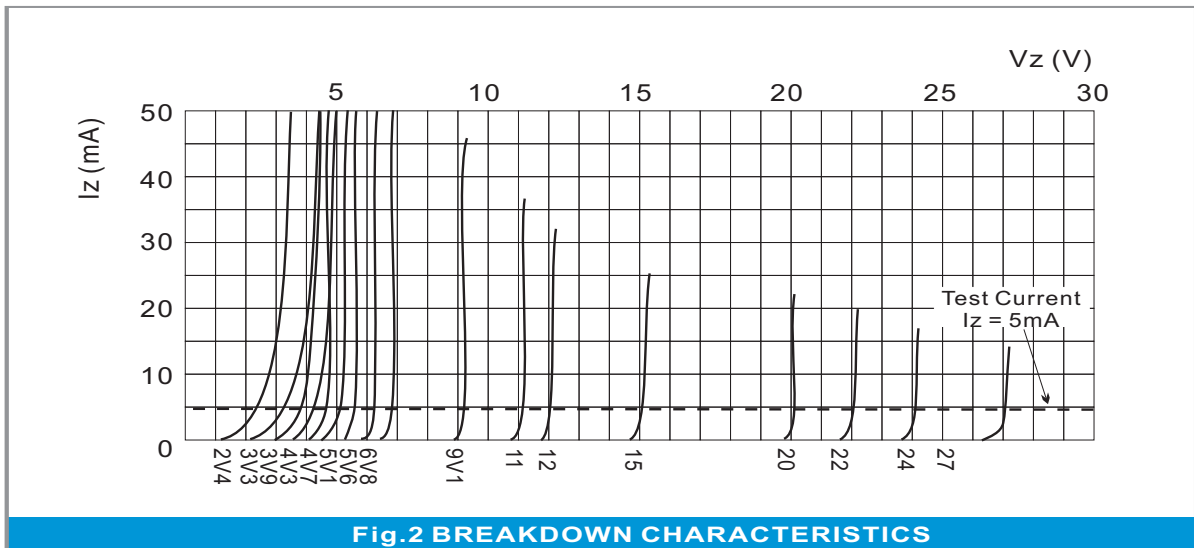
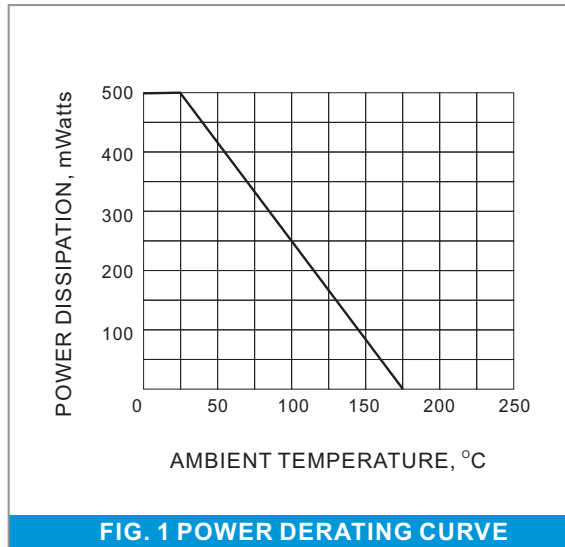
ZMM55-C2V4 SERIES

| Part Number | Nominal Zener Voltage | | | Max. Zener Impedance | | | | Max Reverse Leakage Current | | Marking code |
|-------------|----------------------------------|--------|--------|-----------------------------------|-----|-----------------------------------|-----|---------------------------------|-----|--------------|
| | V _Z @ I _{ZT} | | | Z _{ZT} @ I _{ZT} | | Z _{ZK} @ I _{ZK} | | I _R @ V _R | | |
| | Nom. V | Min. V | Max. V | Ω | mA | Ω | mA | μA | V | |
| ZMM55-C2V4 | 2.4 | 2.28 | 2.56 | 85 | 5 | 600 | 1 | 50 | 1 | C2V4 |
| ZMM55-C2V7 | 2.7 | 2.5 | 2.9 | 85 | 5 | 600 | 1 | 10 | 1 | C2V7 |
| ZMM55-C3V0 | 3 | 2.8 | 3.2 | 85 | 5 | 600 | 1 | 4 | 1 | C3V0 |
| ZMM55-C3V3 | 3.3 | 3.1 | 3.5 | 85 | 5 | 600 | 1 | 2 | 1 | C3V3 |
| ZMM55-C3V6 | 3.6 | 3.4 | 3.8 | 85 | 5 | 600 | 1 | 2 | 1 | C3V6 |
| ZMM55-C3V9 | 3.9 | 3.7 | 4.1 | 85 | 5 | 600 | 1 | 2 | 1 | C3V9 |
| ZMM55-C4V3 | 4.3 | 4 | 4.6 | 75 | 5 | 600 | 1 | 1 | 1 | C4V3 |
| ZMM55-C4V7 | 4.7 | 4.4 | 5 | 60 | 5 | 600 | 1 | 0.5 | 1 | C4V7 |
| ZMM55-C5V1 | 5.1 | 4.8 | 5.4 | 35 | 5 | 550 | 1 | 0.1 | 1 | C5V1 |
| ZMM55-C5V6 | 5.6 | 5.2 | 6 | 25 | 5 | 450 | 1 | 0.1 | 1 | C5V6 |
| ZMM55-C6V2 | 6.2 | 5.8 | 6.6 | 10 | 5 | 200 | 1 | 0.1 | 2 | C6V2 |
| ZMM55-C6V8 | 6.8 | 6.4 | 7.2 | 8 | 5 | 150 | 1 | 0.1 | 3 | C6V8 |
| ZMM55-C7V5 | 7.5 | 7 | 7.9 | 7 | 5 | 50 | 1 | 0.1 | 5 | C7V5 |
| ZMM55-C8V2 | 8.2 | 7.7 | 8.7 | 7 | 5 | 50 | 1 | 0.1 | 6 | C8V2 |
| ZMM55-C9V1 | 9.1 | 8.5 | 9.6 | 10 | 5 | 50 | 1 | 0.1 | 7 | C9V1 |
| ZMM55-C10 | 10 | 9.4 | 10.6 | 15 | 5 | 70 | 1 | 0.1 | 7.5 | C10V |
| ZMM55-C11 | 11 | 10.4 | 11.6 | 20 | 5 | 70 | 1 | 0.1 | 8.5 | C11V |
| ZMM55-C12 | 12 | 11.4 | 12.7 | 20 | 5 | 90 | 1 | 0.1 | 9 | C12V |
| ZMM55-C13 | 13 | 12.4 | 14.1 | 26 | 5 | 110 | 1 | 0.1 | 10 | C13V |
| ZMM55-C15 | 15 | 13.8 | 15.6 | 30 | 5 | 110 | 1 | 0.1 | 11 | C15V |
| ZMM55-C16 | 16 | 15.3 | 17.1 | 40 | 5 | 170 | 1 | 0.1 | 12 | C16V |
| ZMM55-C18 | 18 | 16.8 | 19.1 | 50 | 5 | 170 | 1 | 0.1 | 14 | C18V |
| ZMM55-C20 | 20 | 18.8 | 21.2 | 55 | 5 | 220 | 1 | 0.1 | 15 | C20V |
| ZMM55-C22 | 22 | 20.8 | 23.3 | 55 | 5 | 220 | 1 | 0.1 | 17 | C22V |
| ZMM55-C24 | 24 | 22.8 | 25.6 | 80 | 5 | 220 | 1 | 0.1 | 18 | C24V |
| ZMM55-C27 | 27 | 25.1 | 28.9 | 80 | 5 | 220 | 1 | 0.1 | 20 | C27V |
| ZMM55-C30 | 30 | 28 | 32 | 80 | 5 | 220 | 1 | 0.1 | 22 | C30V |
| ZMM55-C33 | 33 | 31 | 35 | 80 | 5 | 220 | 1 | 0.1 | 24 | C33V |
| ZMM55-C36 | 36 | 34 | 38 | 80 | 5 | 220 | 1 | 0.1 | 27 | C36V |
| ZMM55-C39 | 39 | 37 | 41 | 90 | 2.5 | 500 | 1 | 0.1 | 30 | C39V |
| ZMM55-C43 | 43 | 40 | 46 | 90 | 2.5 | 600 | 1 | 0.1 | 33 | C43V |
| ZMM55-C47 | 47 | 44 | 50 | 110 | 2.5 | 700 | 1 | 0.1 | 36 | C47V |
| ZMM55-C51 | 51 | 48 | 54 | 125 | 2.5 | 700 | 0.5 | 0.1 | 39 | C51V |
| ZMM55-C56 | 56 | 52 | 60 | 135 | 2.5 | 1000 | 0.5 | 0.1 | 43 | C56V |
| ZMM55-C62 | 62 | 58 | 66 | 150 | 2.5 | 1000 | 0.5 | 0.1 | 47 | C62V |
| ZMM55-C68 | 68 | 64 | 72 | 200 | 2.5 | 1000 | 0.5 | 0.1 | 51 | C68V |
| ZMM55-C75 | 75 | 70 | 79 | 250 | 2.5 | 1500 | 0.5 | 0.1 | 56 | C75V |



ZMM55-C2V4 SERIES

RATING AND CHARACTERISTIC CURVES





ZMM55-C2V4 SERIES

MOUNTING PAD LAYOUT

MINI-MELF / LL34

Unit : inch(mm)



ORDER INFORMATION

- Packing information

T/R - 10K per 13" plastic Reel

T/R - 2.5K per 7" plastic Reel



ZMM55-C2V4 SERIES

Part No_packing code_Version

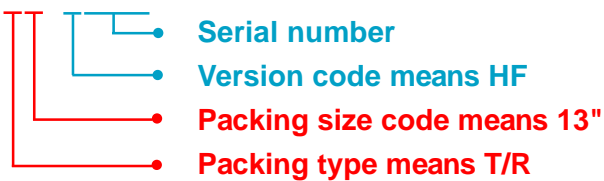
ZMM55-C2V4_R1_10001

ZMM55-C2V4_R2_10001

For example :

RB500V-40_R2_00001

Part No.



| Packing Code XX | | | | Version Code XXXXX | | |
|--------------------------------------|----------------------|----------------------------------|----------------------|---------------------------|----------------------|---------------------------------------|
| Packing type | 1 st Code | Packing size code | 2 nd Code | HF or RoHS | 1 st Code | 2 nd ~5 th Code |
| Tape and Ammunition Box (T/B) | A | N/A | 0 | HF | 0 | serial number |
| Tape and Reel (T/R) | R | 7" | 1 | RoHS | 1 | serial number |
| Bulk Packing (B/P) | B | 13" | 2 | | | |
| Tube Packing (T/P) | T | 26mm | X | | | |
| Tape and Reel (Right Oriented) (TRR) | S | 52mm | Y | | | |
| Tape and Reel (Left Oriented) (TRL) | L | PANASERT T/B CATHODE UP (PBCU) | U | | | |
| FORMING | F | PANASERT T/B CATHODE DOWN (PBCD) | D | | | |



ZMM55-C2V4 SERIES

Disclaimer

- Reproducing and modifying information of the document is prohibited without permission from Panjit International Inc..
- Panjit International Inc. reserves the rights to make changes of the content herein the document anytime without notification. Please refer to our website for the latest document.
- Panjit International Inc. disclaims any and all liability arising out of the application or use of any product including damages incidentally and consequentially occurred.
- Panjit International Inc. does not assume any and all implied warranties, including warranties of fitness for particular purpose, non-infringement and merchantability.
- Applications shown on the herein document are examples of standard use and operation. Customers are responsible in comprehending the suitable use in particular applications. Panjit International Inc. makes no representation or warranty that such applications will be suitable for the specified use without further testing or modification.
- The products shown herein are not designed and authorized for equipments requiring high level of reliability or relating to human life and for any applications concerning life-saving or life-sustaining, such as medical instruments, transportation equipment, aerospace machinery et cetera. Customers using or selling these products for use in such applications do so at their own risk and agree to fully indemnify Panjit International Inc. for any damages resulting from such improper use or sale.
- Since Panjit uses lot number as the tracking base, please provide the lot number for tracking when complaining.

X-ON Electronics

Largest Supplier of Electrical and Electronic Components

Click to view similar products for [Zener Diodes](#) category:

Click to view products by [Panjit](#) manufacturer:

Other Similar products are found below :

[RKZ13B2KG#P1](#) [DL5234B](#) [1N4682](#) [1N4693](#) [1N4732A](#) [1N4736A](#) [1N4750A](#) [1N4759ARL](#) [1N5241B](#) [1N5365B](#) [1N5369B](#) [1N747A](#)
[1N964B](#) [1N966B](#) [1N968B](#) [1N972B](#) [JANS1N4974US](#) [1N4692](#) [1N4702](#) [1N4704](#) [1N4711](#) [1N4714](#) [1N4745ARL](#) [1N4752ARL](#) [1N4760ARL](#)
[1N5221B](#) [1N5242BTR](#) [1N5350B](#) [1N5352B](#) [1N961BRR1](#) [1N964BRL](#) [RKZ5.1BKU#P6](#) [3SMAJ5946B-TP](#) [3SMAJ5950B-TP](#)
[MMSZ5230BQ-13-F](#) [MMSZ5232BQ-13-F](#) [BZX84C7V5](#) [3SMAJ5945B-TP](#) [3SMAJ5947B-TP](#) [3SMBJ5941B-TP](#) [DZ2S240M0L](#) [SMAZ27-](#)
[TP](#) [ZMM5224B-7](#) [RD16UM-T1-A](#) [RD39S-T1-A](#) [RD10S-T1-A](#) [CDZT2R5.6B](#) [1N4762A G](#) [Z1SMA18](#) [JANTX1N4553B](#)