

## PING))) Protector Stand (#725-28015)

The PING))) Protector Stand is a precision machined mounting bracket cut from 1/4 inch thick high-grade aluminum. With easy installation this stand can gracefully attach your PING))) Ultrasonic Distance Sensor to your robot and protect the sensor from most collisions. Note: PING))) Ultrasonic Distance Sensor (#28015) not included.



### Features

- Designed to protect your PING))) Ultrasonic Distance Sensor from damage
- Custom CNC-machined from 6061 high-grade aluminum at Parallax headquarters in Rocklin, CA.
- Aperture and plastic light pipe included to allow for visual check of sensor function while mounted to stand.
- Two 6-32 (0.144 inch Dia.) un-threaded mounting holes
- Dimensions: 1.95 in x 2.20 in x 0.25 in (11.43 mm x 55.88 mm x 6.35 mm)

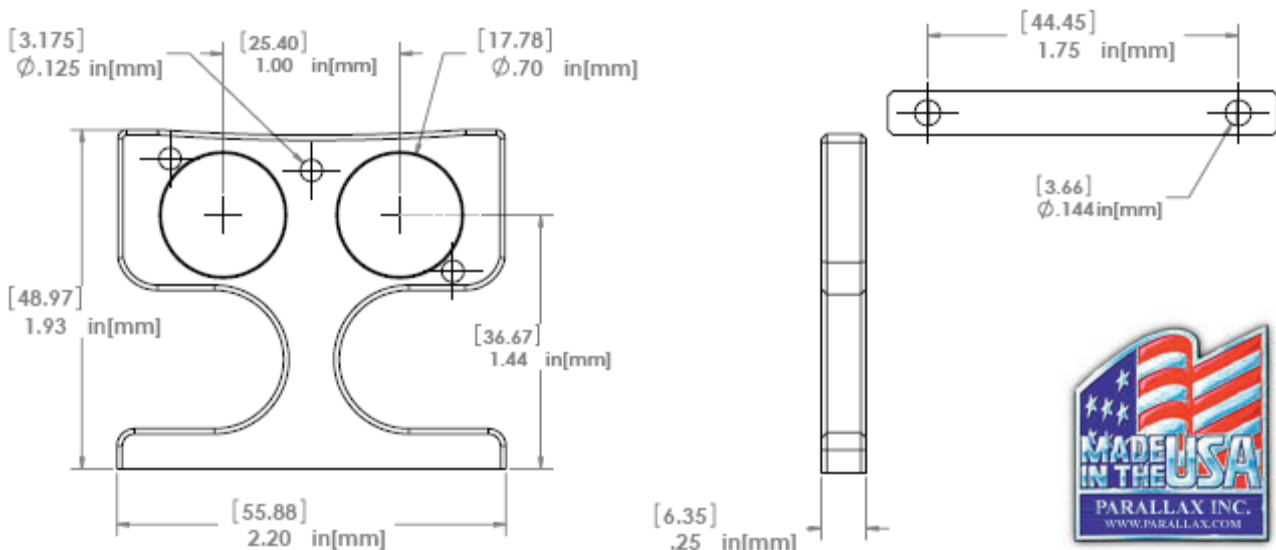
### Bill of Materials

- (2) Philips pan-head screws, 4-40, 1/2" (#710-00006)
- (2) Nylon washers, size #4 (#700-00015)
- (2) Nylon spacers, round, #4, 1/4" (#713-00005)
- Plastic light pipe (#720-28001)
- Aluminum Protector Stand (#720-28002)

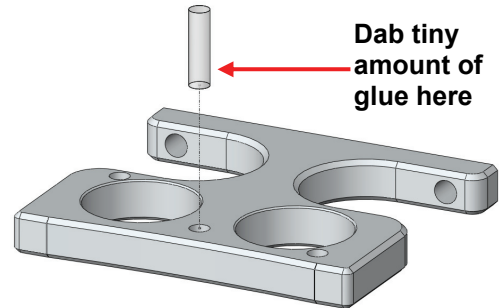
### Tools Required

- #1 Philips-head screwdriver
- (2) 6-32 screws for mounting to your platform
- glue (such as Elmer's)
- Masking or electrical tape (optional)

### Dimensional Drawings

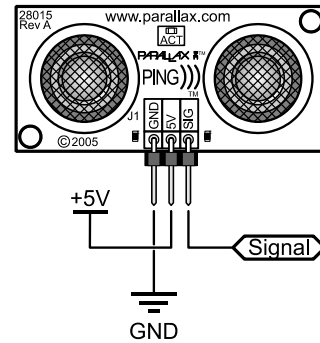


**Step 1:** Place stand on a flat surface with tapped holes facing up. Place a tiny dab of glue on the side (not the flat end) of the light pipe, about a quarter of the way up from the end. Insert light pipe into the hole so that its end is flush with the stand front. The light pipe will project a little less than 1/4" from the back of the stand.

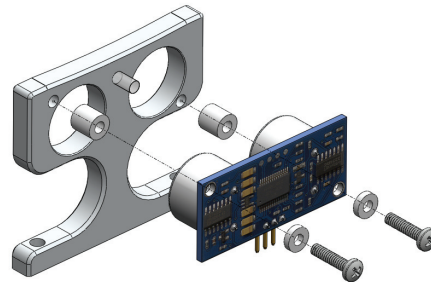


*Note: at this point, you may wish to cover the sides of the exposed portion of the light pipe with tape to further direct the LEDs light.*

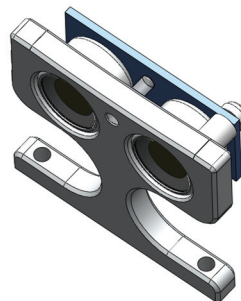
**Step 2:** Make a note of the PING))) sensor pin connections labeled on the front of the PCB. They will not be visible once the sensor is installed into the stand.



**Step 3:** Install the PING))) sensor as shown using (2) nylon spacers, (2) 1/2" screws, and (2) nylon washers (included).



**Step 4:** Mount the PING))) Protector Stand and Sensor to your robot. Two holes in the base of the stand are drilled to accommodate size 6-32 screws (not included).



## X-ON Electronics

Largest Supplier of Electrical and Electronic Components

*Click to view similar products for [Racks & Rack Cabinet Accessories](#) category:*

*Click to view products by [Parallax](#) manufacturer:*

Other Similar products are found below :

[M00-PLN](#) [F2424](#) [8351-832-A-24](#) [9104](#) [9105](#) [PLFF2000](#) [H-9163-B](#) [1427C3](#) [HTS10](#) [PC-79](#) [SC10-3A](#) [SC4-28](#) [CG3-340S/12](#) [CP-001BK](#)  
[M6123-4007-SS](#) [AX61400TB](#) [TS170](#) [LP40](#) [5261304-07](#) [CG3-160G](#) [7112C-PLN](#) [ALUM](#) [CM10](#) [8610-3124-S-26](#) [TS81](#) [7142](#) [GP134](#)  
[M6125-4007-A-24](#) [M6127-4007-SS](#) [PBCOVER](#) [512](#) [AEG-4000G](#) [AEG-3000G](#) [HD99](#) [SR2-66A2](#) [FP10B4HP-1](#) [FP52-2](#) [1406-1006-01](#)  
[29478](#) [TS2535](#) [TS169-6](#) [CAC2](#) [HA19-3U](#) [BR-19-10-1](#) [TS180](#) [CG3-ESD](#) [SC11-1](#) [CFS-1.00/2.20](#) [AX6145WM](#) [HEC0800PB](#) [ZC633R](#)