

PING))) Protector Stand (#725-28015)

The PING))) Protector Stand is a precision machined mounting bracket cut from 1/4 inch thick high-grade aluminum. With easy installation this stand can gracefully attach your PING))) Ultrasonic Distance Sensor to your robot and protect the sensor from most collisions. Note: PING))) Ultrasonic Distance Sensor (#28015) not included.



Features

- Designed to protect your PING))) Ultrasonic Distance Sensor from damage
- Custom CNC-machined from 6061 high-grade aluminum at Parallax headquarters in Rocklin, CA.
- Aperture and plastic light pipe included to allow for visual check of sensor function while mounted to stand.
- Two 6-32 (0.144 inch Dia.) un-threaded mounting holes
- Dimensions: 1.95 in x 2.20 in x 0.25 in (11.43 mm x 55.88 mm x 6.35 mm)

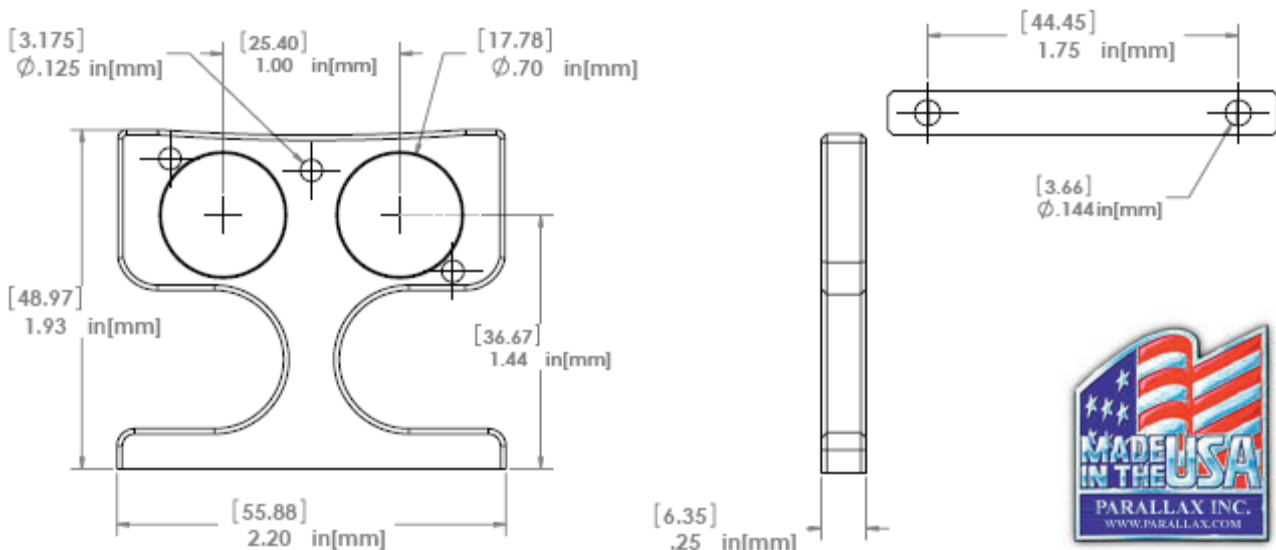
Bill of Materials

- (2) Philips pan-head screws, 4-40, 1/2" (#710-00006)
- (2) Nylon washers, size #4 (#700-00015)
- (2) Nylon spacers, round, #4, 1/4" (#713-00005)
- Plastic light pipe (#720-28001)
- Aluminum Protector Stand (#720-28002)

Tools Required

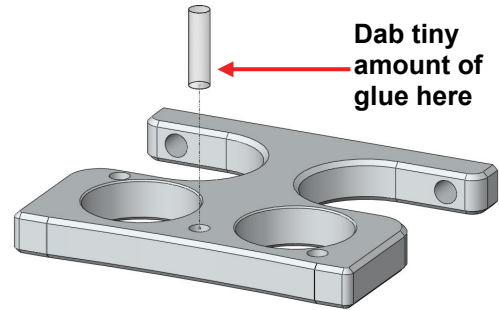
- #1 Philips-head screwdriver
- (2) 6-32 screws for mounting to your platform
- glue (such as Elmer's)
- Masking or electrical tape (optional)

Dimensional Drawings

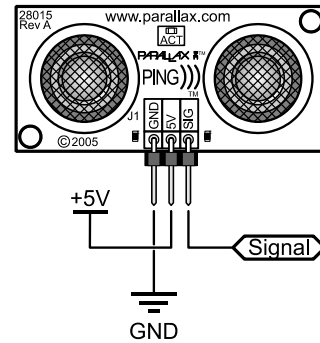


Step 1: Place stand on a flat surface with tapped holes facing up. Place a tiny dab of glue on the side (not the flat end) of the light pipe, about a quarter of the way up from the end. Insert light pipe into the hole so that its end is flush with the stand front. The light pipe will project a little less than 1/4" from the back of the stand.

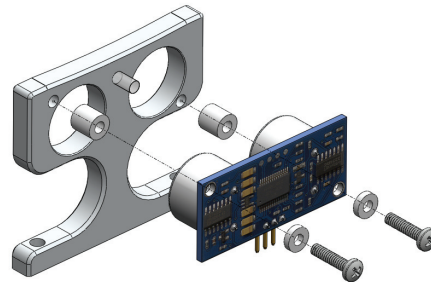
Note: at this point, you may wish to cover the sides of the exposed portion of the light pipe with tape to further direct the LEDs light.



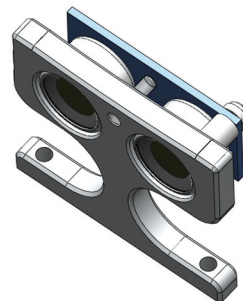
Step 2: Make a note of the PING))) sensor pin connections labeled on the front of the PCB. They will not be visible once the sensor is installed into the stand.



Step 3: Install the PING))) sensor as shown using (2) nylon spacers, (2) 1/2" screws, and (2) nylon washers (included).



Step 4: Mount the PING))) Protector Stand and Sensor to your robot. Two holes in the base of the stand are drilled to accommodate size 6-32 screws (not included).



X-ON Electronics

Largest Supplier of Electrical and Electronic Components

Click to view similar products for [Processor Accessories](#) category:

Click to view products by [Parallax](#) manufacturer:

Other Similar products are found below :

[2447](#) [451651](#) [SPB204-AL-1](#) [90001265-88](#) [32316](#) [MIKROE-2147](#) [20-101-0431](#) [28148](#) [T050000](#) [28961](#) [28960](#) [Basic US PI3 Kit](#)
[82634DSARPLTVIK](#) [1557](#) [20-101-0502](#) [EP-CHUPCNETPLUS](#) [1019](#) [4466](#) [AD-FMC-SDCARD](#) [ATATMEL-ICE-CABLE](#) [ATATMEL-](#)
[ICE-PCBA](#) [ATAVR-MICTOR38](#) [Basic INTL PI3 Kit](#) [20-101-0495](#) [BK0006](#) [BK0007](#) [LG624 DAISY CHAIN-1](#) [MIKROE-2094](#) [MIKROE-](#)
[2148](#) [MIKROE-2149](#) [130-35000](#) [28106](#) [28152](#) [30055](#) [30078](#) [32333](#) [555-28188](#) [572-28132](#) [CWH-CTP-STC-YE](#) [ATABOT](#) [700-00056](#)
[FXX-3006-JES](#) [28114](#) [28985](#) [868](#) [1744](#) [ARX-DSP](#) [B000003](#) [X000048](#) [CG1152 DAISY CHAIN](#)