



## Rotary Joint Operating to 18 GHz 2.92mm Female 2.92mm Female Connectors

### TECHNICAL DATA SHEET

PE1402

#### Configuration

Connector 1	2.92mm Female
Impedance 1	50 Ohms
Connector 2	2.92mm Female
Impedance 2	50 Ohms
Adapter Design	Standard
Body Style	Straight
Mount Method	Bulkhead

#### Electrical Specifications (Values at 25°C, sea level)

Description	Minimum	Typical	Maximum	Units
Frequency Range	DC		18	GHz
VSWR			1.4:1	
Input Power			30	Watts
Peak Power			3	KWatts

#### Specifications by Frequency

Description	F1	F2	F3	F4	F5	Units
Range	DC to 6	6 to 12.4	12.4 to 18			GHz
VSWR	1.15:1	1.3:1	1.4:1			
VSWR Rotational Variance	0.01:1	0.02:1	0.03:1			
Insertion Loss	0.3	0.4	0.6			dB
Insertion Loss Rotational Variance	0.03	0.05	0.1			dB
Phase Rotational Variance	0.5	1	1.5			Degrees

Electrical Specification Notes:  
 Average Power: 1 GHz @ 200W

#### Mechanical Specifications

Description	Minimum	Typical	Maximum	Units
Speed		100		RPM

#### Temperature

Operating Range -40 to +70 deg C

Click the following link (or enter part number in "SEARCH" on website) to obtain additional part information including price, inventory and certifications: [Rotary Joint Operating to 18 GHz 2.92mm Female 2.92mm Female Connectors PE1402](#)



Rotary Joint Operating to 18 GHz 2.92mm  
Female 2.92mm Female Connectors

TECHNICAL DATA SHEET

PE1402

**Size**

Length	1.37 in [34.8 mm]
Width	1 in [25.4 mm]
Weight	0.062 lbs [28.12 g]

**Connectors**

Description	Connector 1	Connector 2
Type	2.92mm Female	2.92mm Female
Inner Conductor Material and Plating	Beryllium Copper, Gold	Beryllium Copper, Gold
Inner Conductor Plating Specification	4μ IN Minimum	4μ IN Minimum
Outer Conductor Material and Plating	Passivated Stainless Steel	Passivated Stainless Steel
Body Material and Plating	Passivated Stainless Steel	Passivated Stainless Steel
Dielectric Type	PTFE	PTFE

**Compliance Certifications** (see [product page](#) for current document)

**Plotted and Other Data**

Notes:

Click the following link (or enter part number in "SEARCH" on website) to obtain additional part information including price, inventory and certifications: [Rotary Joint Operating to 18 GHz 2.92mm Female 2.92mm Female Connectors PE1402](#)

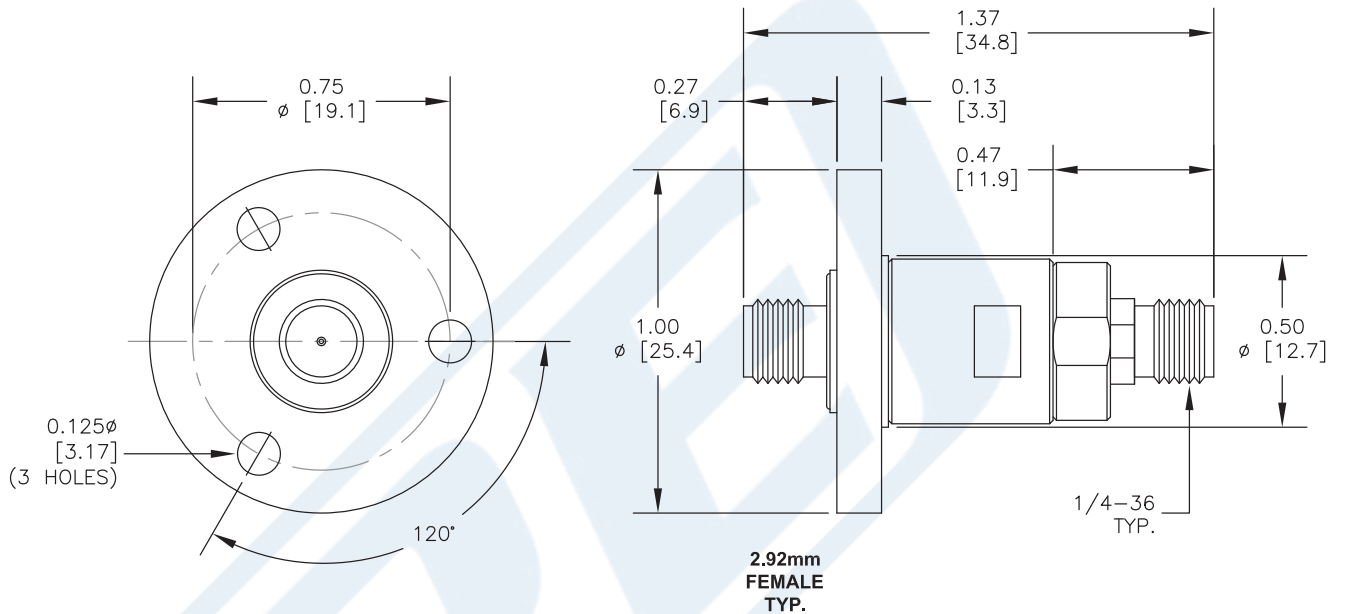


Rotary Joint Operating to 18 GHz 2.92mm  
Female 2.92mm Female Connectors

TECHNICAL DATA SHEET

PE1402

Outline Drawing



Rotary Joint Operating to 18 GHz 2.92mm Female 2.92mm Female Connectors from Pasternack Enterprises has same day shipment for domestic and International orders. Our RF, microwave and millimeter wave products maintain a 99% availability and are part of the broadest selection in the industry.

Click the following link (or enter part number in "SEARCH" on website) to obtain additional part information including price, inventory and certifications: [Rotary Joint Operating to 18 GHz 2.92mm Female 2.92mm Female Connectors PE1402](https://www.pasternack.com/rotary-joint-18-ghz-2.92mm-female-2.92mm-female-connectors-pe1402-p.aspx)

URL: <https://www.pasternack.com/rotary-joint-18-ghz-2.92mm-female-2.92mm-female-connectors-pe1402-p.aspx>

The information contained in this document is accurate to the best of our knowledge and representative of the part described herein. It may be necessary to make modifications to the part and/or the documentation of the part, in order to implement improvements. Pasternack reserves the right to make such changes as required. Unless otherwise stated, all specifications are nominal. Pasternack does not make any representation or warranty regarding the suitability of the part described herein for any particular purpose, and Pasternack does not assume any liability arising out of the use of any part or documentation.

## **X-ON Electronics**

Largest Supplier of Electrical and Electronic Components

*Click to view similar products for [Pasternack](#) manufacturer:*

Other Similar products are found below :

[EZ-240-SM-X](#) [PE1402](#) [PE2058](#) [PE20DV1041](#) [PE4003](#) [PE4008](#) [PE4009](#) [PE4014](#) [PE4016](#) [PE4025](#) [PE4037](#) [PE4042](#) [PE4044](#) [PE4047](#)  
[PE4048](#) [PE4062](#) [PE4075](#) [PE4081](#) [PE4084](#) [PE4093](#) [PE4098](#) [PE4106](#) [PE4126](#) [PE4132](#) [PE4181](#) [PE4182](#) [PE4190](#) [PE4193](#) [PE4221](#) [PE4229](#)  
[PE4230](#) [PE4234](#) [PE4243](#) [PE4298](#) [PE4316](#) [PE4329](#) [PE4343](#) [PE4375](#) [PE4400](#) [PE44004](#) [PE4402](#) [PE44080](#) [PE4409](#) [PE44102](#) [PE44204](#)  
[PE4424](#) [PE44276](#) [PE44353](#) [PE44356](#) [PE44472](#)