



Low PIM 2 Way 7/16 DIN Power Divider from 376 MHz to 2.5 GHz Rated at 300 Watts

Power Dividers Technical Data Sheet

PE20DV1041

Features

- Low PIM (-155 dBc)
- 700 watt CW Rating
- 376 to 2,500 MHz
- High Power
- 7/16 DIN Female Connector
- Mounting Bracket

Applications

- Indoor/Outdoor Use (IP65)
- Base Station
- 4G/LTE/AWS/PCS/PMR/UMTS/
- TETRA/WiFi/WiMAX
- Distributed Antenna Systems (DAS)
- Wireless Infrastructure

Description

The PE20DV1041 is a High Power Equal Power Tapper with 7/16 DIN Female connectors rated to 700 watt CW. Insertion loss is a low 0.1 dB.

Pasternack's family of Low PIM Equal Power Tappers (Tap Power Dividers) are designed without solder joints and a unique construction allows for exceptional performance within the 600 to 2,200 MHz frequency range. They are offered in a range of output port options to allow flexibility in the design of your DAS system. Especially designed and manufactured for the rigors of low PIM systems, this family of Tappers is rated at an average power of 300 watt CW, and have PIM performance of -160 dBc or better. They can be used indoor or outdoor as they meet the moisture requirements of IP65. They are available in four different connector types: N, DIN 7-16, 4.3-10, and Mini DIN 4.1/9.5.

Electrical Specifications

Design: Reactive
Number of Output Ports: 2

Description	Minimum	Typical	Maximum	Units
Frequency Range	0.376		2.5	GHz
Impedance		50		Ohms
Input VSWR			1.25:1	
Insertion Loss			0.15	dB
Passive Intermodulation			-160	dBc
Input Power (CW)			300	Watts
Input Power (Peak)			3	kWatts

Click the following link (or enter part number in "SEARCH" on website) to obtain additional part information including price, inventory and certifications: [Low PIM 2 Way 7/16 DIN Power Divider from 376 MHz to 2.5 GHz Rated at 300 Watts PE20DV1041](#)



Low PIM 2 Way 7/16 DIN Power Divider from 376 MHz to 2.5 GHz Rated at 300 Watts

Power Dividers Technical Data Sheet

PE20DV1041

Mechanical Specifications

Size

Length	10.49 in [266.45 mm]
Width	1 in [25.4 mm]
Height	2.23 in [56.64 mm]

Housing Material and Plating	Aluminum, Conversion Coating
------------------------------	------------------------------

Configuration

Package Type	Connectorized
Input Connector	7/16 DIN Female
Output Connectors	7/16 DIN Female
Ingress Protection (IP) Rating	IP65

Compliance Certifications (see [product page](#) for current document)

Plotted and Other Data

Notes:

Low PIM 2 Way 7/16 DIN Power Divider from 376 MHz to 2.5 GHz Rated at 300 Watts from Pasternack Enterprises has same day shipment for domestic and International orders. Our RF, microwave and millimeter wave products maintain a 99.4% availability and are part of the broadest selection in the industry.

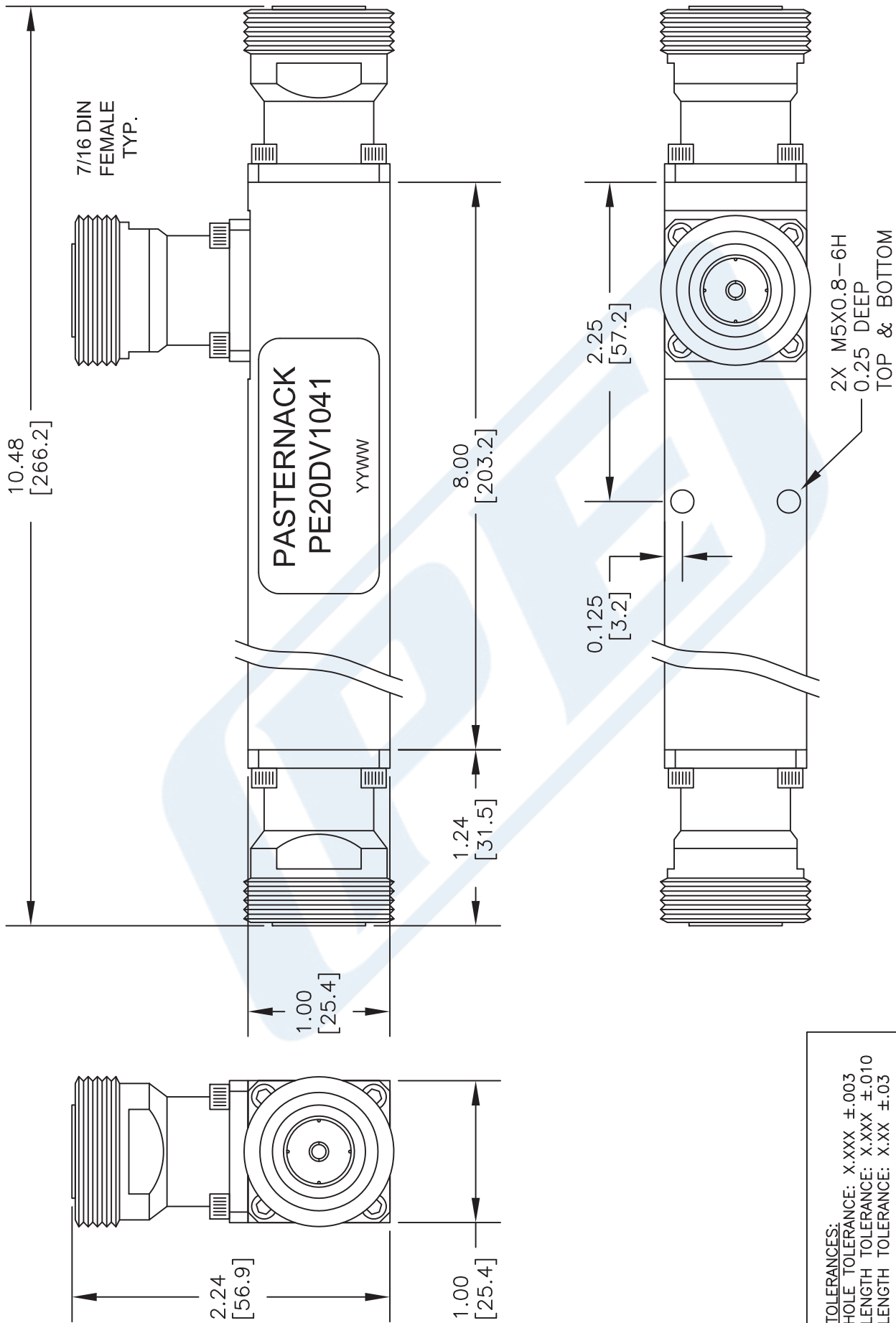
Click the following link (or enter part number in "SEARCH" on website) to obtain additional part information including price, inventory and certifications: [Low PIM 2 Way 7/16 DIN Power Divider from 376 MHz to 2.5 GHz Rated at 300 Watts PE20DV1041](#)

URL: <https://www.pasternack.com/2-way-7-16-din-power-divider-2.5-ghz-pe20dv1041-p.aspx>

The information contained in this document is accurate to the best of our knowledge and representative of the part described herein. It may be necessary to make modifications to the part and/or the documentation of the part, in order to implement improvements. Pasternack reserves the right to make such changes as required. Unless otherwise stated, all specifications are nominal. Pasternack does not make any representation or warranty regarding the suitability of the part described herein for any particular purpose, and Pasternack does not assume any liability arising out of the use of any part or documentation.

PE20DV1041 CAD Drawing

Low PIM 2 Way 7/16 DIN Power Divider from 376 MHz to 2.5 GHz Rated at 300 Watts



NOTES:
 1. UNLESS OTHERWISE SPECIFIED ALL DIMENSIONS ARE NOMINAL.
 2. ALL SPECIFICATIONS ARE SUBJECT TO CHANGE WITHOUT NOTICE AT ANY TIME.
 3. DIMENSIONS ARE IN INCHES [mm].

DWG TITLE
PE20DV1041

PE PASTERNAK
 THE ENGINEER'S RF SOURCE
 Pasternack Enterprises, Inc.
 P.O. Box 16759 | Irvine | CA | 92623
 Phone: (949) 261-1920 | Fax: (949) 261-7451
 Website: www.pasternack.com | E-Mail: sales@pasternack.com

CAGE CODE 53919

CAD FILE 020817 SCALE N/A SIZE A 2233

X-ON Electronics

Largest Supplier of Electrical and Electronic Components

Click to view similar products for [Pasternack](#) manufacturer:

Other Similar products are found below :

[EZ-240-SM-X](#) [PE1402](#) [PE2020](#) [PE2058](#) [PE20DV1041](#) [PE20DV1048](#) [PE2CP004-10](#) [PE2CP005-20](#) [PE4003](#) [PE4008](#) [PE4009](#) [PE4014](#)
[PE4016](#) [PE4025](#) [PE4037](#) [PE4042](#) [PE4044](#) [PE4047](#) [PE4048](#) [PE4062](#) [PE4075](#) [PE4081](#) [PE4084](#) [PE4093](#) [PE4098](#) [PE4106](#) [PE4126](#) [PE4132](#)
[PE4181](#) [PE4182](#) [PE4190](#) [PE4192](#) [PE4193](#) [PE4221](#) [PE4229](#) [PE4230](#) [PE4234](#) [PE4243](#) [PE4298](#) [PE4316](#) [PE4329](#) [PE4343](#) [PE4375](#) [PE4400](#)
[PE44004](#) [PE4402](#) [PE44080](#) [PE4409](#) [PE44102](#) [PE44204](#)