



7/16 DIN Female Field Replaceable Connector
 4 Hole Flange Mount Slotted Contact Terminal,
 1.24 inch Sq. Flange Watt Meter Connector

RF Connectors Technical Data Sheet

PE44717

Configuration

- 7/16 DIN Female Connector
- MIL-C-39012
- 50 Ohms
- Straight Body Geometry
- Connector Interface Types: Slotted Contact
- 4 Hole Flange

Features

- Silver Plated Contact
- Contact plating according to QQ-S-365

Applications

- General Purpose Test
- Rack and Panel Mount Applications

Description

Pasternack's PE44717, 7/16 DIN, Standard, connector with field replaceable attachment Slotted Contact terminal is part of our full line of RF components available for same-day shipping. This 7/16 DIN 4 hole flange connector allows designers to create external connections on their product enclosures, and can be used in a variety of other rack mount and panel mount applications. This field replaceable connector is easy to install or replace in the field.

Our 7/16 DIN female 4 hole flange connector PE44717 datasheet specifications and drawing with dimensions are shown below in this PDF. Pasternack's broad catalog of RF, microwave and millimeter wave connectors allows designers to configure and customize their signal connections however they like. Whether the need is to provide an I/O for a board design, or simply create a custom cable assembly configuration, Pasternack has the right connector for the job. Pasternack can also expertly build your custom cable assemblies for you and ship same-day.

| | | |
|-----------|----|------|
| Impedance | 50 | Ohms |
|-----------|----|------|

Mechanical Specifications

| Size | |
|--------|--------------------|
| Length | 1.27 in [32.28 mm] |
| Width | 1.24 in [31.50 mm] |
| Height | 1.24 in [31.50 mm] |
| Weight | 0.19 lbs [86.18 g] |

Material Specifications

| Description | Material | Plating |
|-------------|----------|--------------------|
| Contact | | Silver QQ-S-365 |
| Insulation | PTFE | |
| Body | Brass | Tri-Metal |

Click the following link (or enter part number in "SEARCH" on website) to obtain additional part information including price, inventory and certifications: [7/16 DIN Female Field Replaceable Connector 4 Hole Flange Mount Slotted Contact Terminal, 1.24 inch Sq. Flange Watt Meter Connector PE44717](#)



7/16 DIN Female Field Replaceable Connector
4 Hole Flange Mount Slotted Contact Terminal,
1.24 inch Sq. Flange Watt Meter Connector

RF Connectors Technical Data Sheet

PE44717

Environmental Specifications

Compliance Certifications (see [product page](#) for current document)

Plotted and Other Data

Notes:

7/16 DIN Female Field Replaceable Connector 4 Hole Flange Mount Slotted Contact Terminal, 1.24 inch Sq. Flange Watt Meter Connector from Pasternack Enterprises has same day shipment for domestic and International orders. Our RF, microwave and millimeter wave products maintain a 99.4% availability and are part of the broadest selection in the industry.

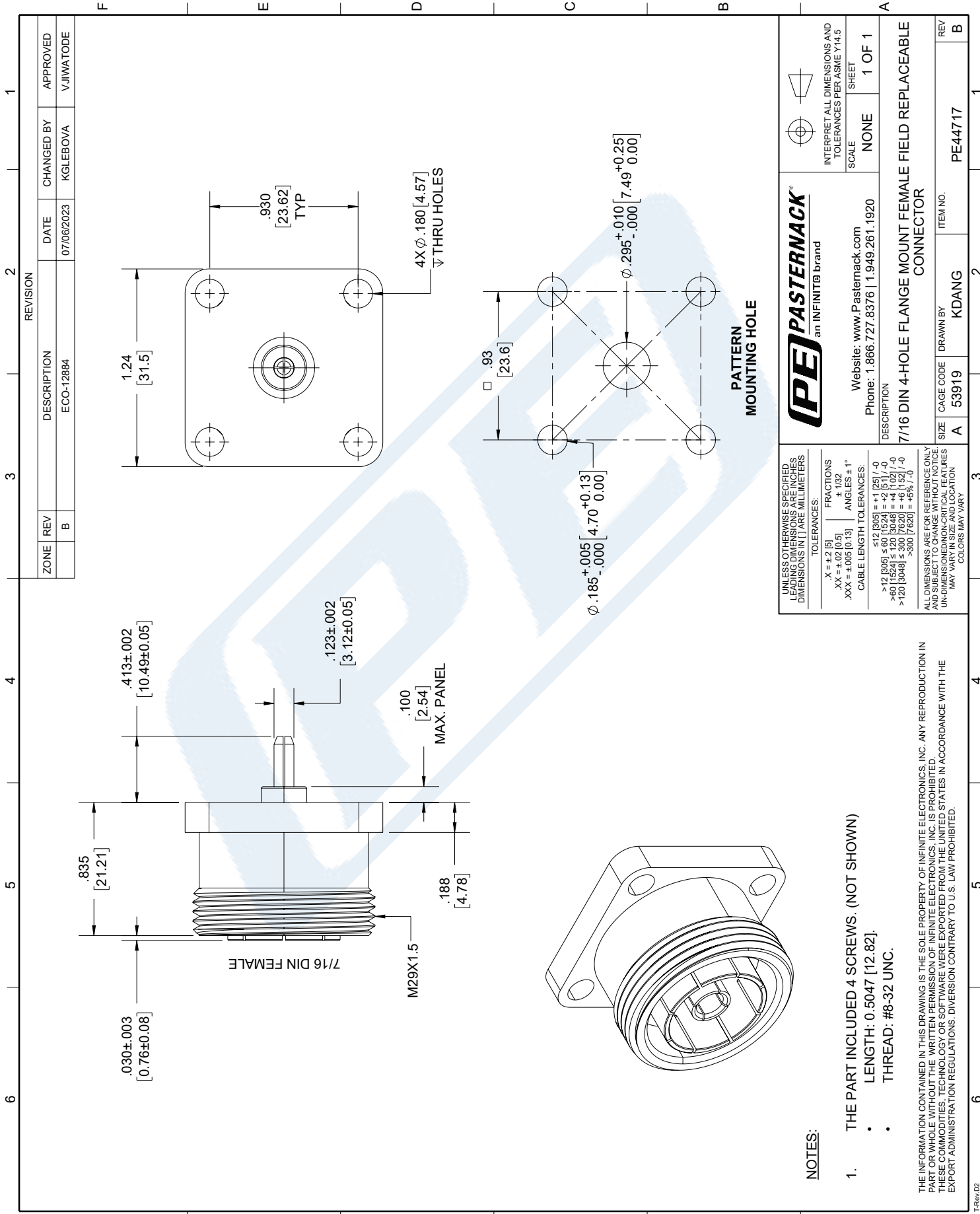
Click the following link (or enter part number in "SEARCH" on website) to obtain additional part information including price, inventory and certifications: [7/16 DIN Female Field Replaceable Connector 4 Hole Flange Mount Slotted Contact Terminal, 1.24 inch Sq. Flange Watt Meter Connector PE44717](#)

URL: <https://www.pasternack.com/7-16-female-standard-slotted-contact-terminal-connector-pe44717-p.aspx>

The information contained in this document is accurate to the best of our knowledge and representative of the part described herein. It may be necessary to make modifications to the part and/or the documentation of the part, in order to implement improvements. Pasternack reserves the right to make such changes as required. Unless otherwise stated, all specifications are nominal. Pasternack does not make any representation or warranty regarding the suitability of the part described herein for any particular purpose, and Pasternack does not assume any liability arising out of the use of any part or documentation.

PE44717 CAD Drawing

7/16 DIN Female Field Replaceable Connector 4 Hole Flange Mount Slotted Contact Terminal, 1.24 inch Sq. Flange Watt Meter Connector



| | | | |
|---|--|--|---|
| PE PASTERNAK an INFINIT brand | | INTERPRET ALL DIMENSIONS AND TOLERANCES PER ASME Y14.5 SCALE: NONE SHEET: 1 OF 1 | |
| Website: www.Pasternack.com Phone: 1.866.727.8376 1.949.261.1920 | | DESCRIPTION: 7/16 DIN 4-HOLE FLANGE MOUNT FEMALE FIELD REPLACEABLE CONNECTOR | |
| UNLESS OTHERWISE SPECIFIED LEADING DIMENSIONS ARE INCHES DIMENSIONS IN [] ARE MILLIMETERS | TOLERANCES: .X = ±.2 [5] .XX = ±.02 [0.5] .XXX = ±.005 [0.13] | FRACTIONS: ± 1/32 ANGLES ± 1° | CABLE LENGTH TOLERANCES: <12 [305] = ±1 [25] / -0 >12 [305] ≤ 60 [1524] = ±2 [51] / -0 >60 [1524] ≤ 120 [3048] = ±4 [102] / -0 >120 [3048] ≤ 300 [7620] = ±6 [152] / -0 >300 [7620] = ±8% / -0 |
| ALL DIMENSIONS ARE FOR REFERENCE ONLY AND SUBJECT TO CHANGE WITHOUT NOTICE UN-DIMENSIONED/NON-CRITICAL FEATURES MAY VARY IN SIZE AND LOCATION COLORS MAY VARY | | | |
| SIZE: A | CAGE CODE: 53919 | DRAWN BY: KDANG | ITEM NO.: PE44717 |
| REV: B | APPROVED: V.JIWATODE | | REV: B |

NOTES:

- THE PART INCLUDED 4 SCREWS. (NOT SHOWN)
- LENGTH: 0.5047 [12.82]
- THREAD: #8-32 UNC.

THE INFORMATION CONTAINED IN THIS DRAWING IS THE SOLE PROPERTY OF INFINITE ELECTRONICS, INC. ANY REPRODUCTION IN PART OR WHOLE WITHOUT THE WRITTEN PERMISSION OF INFINITE ELECTRONICS, INC. IS PROHIBITED. THESE COMMODITIES, TECHNOLOGY OR SOFTWARE WERE EXPORTED FROM THE UNITED STATES IN ACCORDANCE WITH THE EXPORT ADMINISTRATION REGULATIONS. DIVERSION CONTRARY TO U.S. LAW PROHIBITED.

X-ON Electronics

Largest Supplier of Electrical and Electronic Components

Click to view similar products for [Pasternack](#) manufacturer:

Other Similar products are found below :

[EZ-240-SM-X](#) [PE1402](#) [PE2058](#) [PE20DV1041](#) [PE4003](#) [PE4008](#) [PE4009](#) [PE4014](#) [PE4016](#) [PE4025](#) [PE4037](#) [PE4042](#) [PE4044](#) [PE4047](#)
[PE4048](#) [PE4062](#) [PE4075](#) [PE4081](#) [PE4084](#) [PE4093](#) [PE4098](#) [PE4106](#) [PE4126](#) [PE4132](#) [PE4181](#) [PE4182](#) [PE4190](#) [PE4193](#) [PE4221](#) [PE4229](#)
[PE4230](#) [PE4234](#) [PE4243](#) [PE4298](#) [PE4316](#) [PE4329](#) [PE4343](#) [PE4375](#) [PE4400](#) [PE44004](#) [PE4402](#) [PE44080](#) [PE4409](#) [PE44102](#) [PE44204](#)
[PE4424](#) [PE44276](#) [PE44353](#) [PE44356](#) [PE44472](#)