



SMA Female Connector Solder Attachment Thru Hole PCB, .200 inch x .067 inch Hole Spacing

RF Connectors Technical Data Sheet

PE44827

Configuration

- SMA Female Connector
- 50 Ohms
- Straight Body Geometry
- Connector Interface Types: Thru Hole

Features

- Max. Operating Frequency 18 GHz
- Gold Plated Beryllium Copper Contact

Applications

- General Purpose Test
- PCB Applications

Description

Pasternack's PE44827 SMA female connector with solder attachment for Thru Hole PCB (.200 inch x .067 inch hole spacing) is part of our full line of RF components available for same-day shipping. Our SMA female connector operates up to a maximum frequency of 18 GHz.

Our SMA female connector PE44827 datasheet specifications and drawing with dimensions are shown below in this PDF. Pasternack's broad catalog of RF, microwave and millimeter wave connectors allows designers to configure and customize their signal connections however they like. Whether the need is to provide an I/O for a board design, or simply create a custom cable assembly configuration, Pasternack has the right connector for the job. Pasternack can also expertly build your custom cable assemblies for you and ship same-day.

Electrical Specifications

| Description | Minimum | Typical | Maximum | Units |
|--------------------------------------|---------|---------|---------|-------|
| Frequency Range | DC | | 18 | GHz |
| Operating Voltage (AC) | | | 333 | Vrms |
| Dielectric Withstanding Voltage (AC) | | | 1,000 | Vrms |

Mechanical Specifications

Size

| | |
|------------|--------------------|
| Length | 0.53 in [13.46 mm] |
| Width/Dia. | 0.276 in [7.01 mm] |
| Weight | 0.009 lbs [4.08 g] |

Click the following link (or enter part number in "SEARCH" on website) to obtain additional part information including price, inventory and certifications: [SMA Female Connector Solder Attachment Thru Hole PCB, .200 inch x .067 inch Hole Spacing PE44827](#)



SMA Female Connector Solder Attachment Thru Hole PCB, .200 inch x .067 inch Hole Spacing

RF Connectors Technical Data Sheet

PE44827

Material Specifications

| Description | Material | Plating |
|-----------------|------------------|---------|
| Contact | Beryllium Copper | Gold |
| Insulation | PTFE | |
| Outer Conductor | Brass | Gold |
| Body | Brass | Gold |

Environmental Specifications

Temperature

Operating Range -65 to +165 deg C

Compliance Certifications (see [product page](#) for current document)

Plotted and Other Data

Notes:

SMA Female Connector Solder Attachment Thru Hole PCB, .200 inch x .067 inch Hole Spacing from Pasternack Enterprises has same day shipment for domestic and International orders. Our RF, microwave and millimeter wave products maintain a 99.4% availability and are part of the broadest selection in the industry.

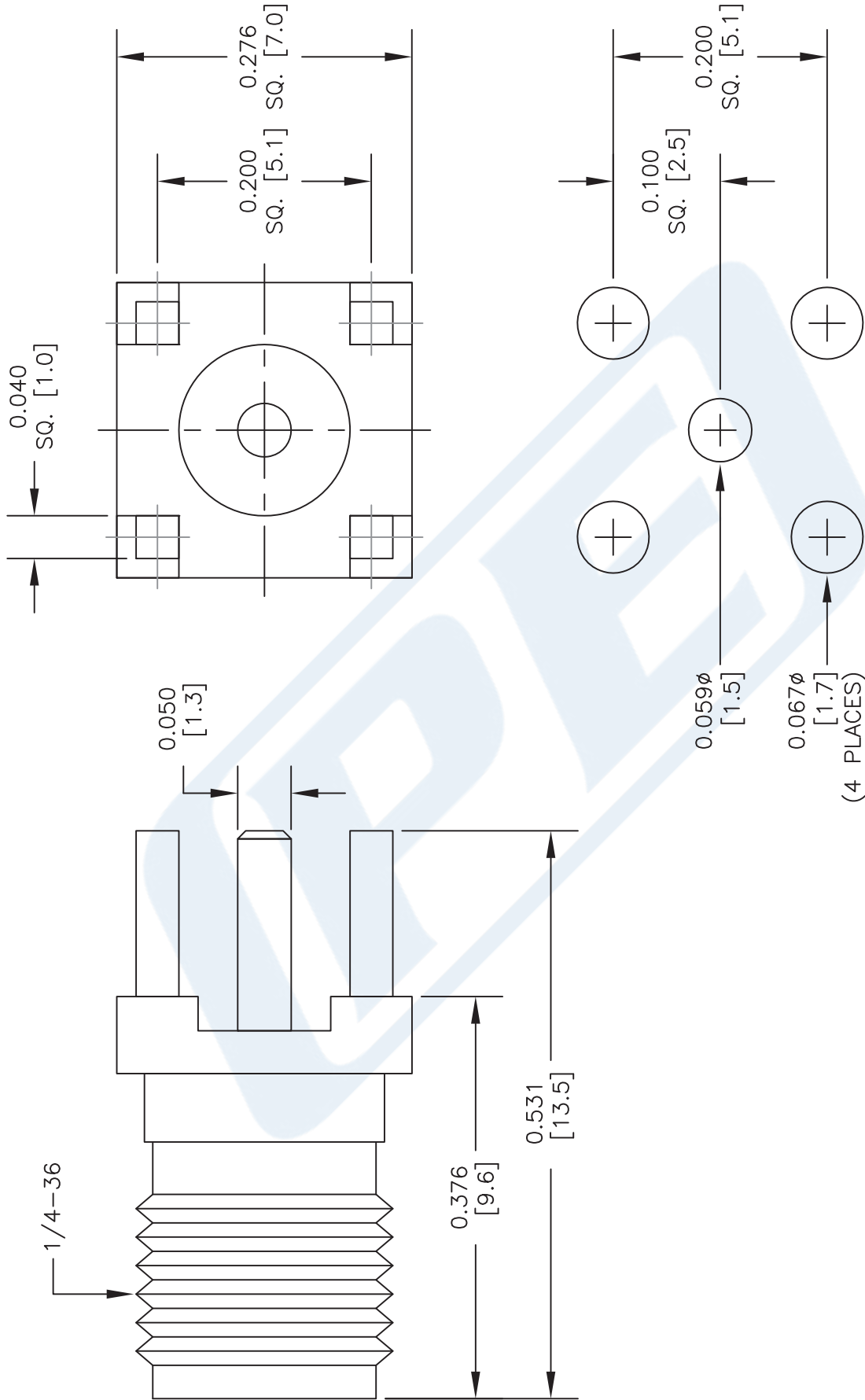
Click the following link (or enter part number in "SEARCH" on website) to obtain additional part information including price, inventory and certifications: [SMA Female Connector Solder Attachment Thru Hole PCB, .200 inch x .067 inch Hole Spacing PE44827](#)

URL: <https://www.pasternack.com/sma-female-standard-thru-hole-pcb-connector-pe44827-p.aspx>

The information contained in this document is accurate to the best of our knowledge and representative of the part described herein. It may be necessary to make modifications to the part and/or the documentation of the part, in order to implement improvements. Pasternack reserves the right to make such changes as required. Unless otherwise stated, all specifications are nominal. Pasternack does not make any representation or warranty regarding the suitability of the part described herein for any particular purpose, and Pasternack does not assume any liability arising out of the use of any part or documentation.

PE44827 CAD Drawing

SMA Female Connector Solder Attachment Thru Hole
PCB, .200 inch x .067 inch Hole Spacing



MOUNTING HOLES

DWG TITLE

PE44827

NOTES:
1. UNLESS OTHERWISE SPECIFIED ALL DIMENSIONS ARE NOMINAL.
2. ALL SPECIFICATIONS ARE SUBJECT TO CHANGE WITHOUT NOTICE AT ANY TIME.
3. DIMENSIONS ARE IN INCHES [mm].

FSCM NO. 53919

CAD FILE 060613

SCALE N/A

SIZE A

2233



Pasternack Enterprises, Inc.
P.O. Box 16759 | Irvine | CA | 92623
Phone: (949) 261-1920 | Fax: (949) 261-7451
Website: www.pasternack.com | E-Mail: sales@pasternack.com

X-ON Electronics

Largest Supplier of Electrical and Electronic Components

Click to view similar products for [Pasternack manufacturer](#):

Other Similar products are found below :

[PE91190](#) [PE6234](#) [PE91134](#) [PE6TR003](#) [PE91612](#) [PE91141](#) [PE6227](#) [PE91211](#) [PE44472](#) [PE4075](#) [PE4472](#) [PE7AP006-03](#) [PE7029-20](#)
[PE7000-10](#) [PE7390-6](#) [PE7000-30](#) [PE7092-30](#) [PE7424-30](#) [PE45307](#) [PE6156A](#) [PE45255](#) [PE91212](#) [PE45375](#) [PE91052](#) [PE44827](#) [PE91106](#)
[PE91258](#) [PE44353](#) [PE4329](#) [PE4048](#) [PE4025](#) [PE44276](#) [PE7087-20](#) [PE7014-20](#) [PE7000-20](#) [PE91031](#) [PE1402](#) [PE91446](#) [PE45145](#) [TC-400-](#)
[SM-X](#) [PE44717](#) [PE4081](#) [PE4343](#) [PE4298](#) [PE4604](#) [PE4571](#) [PE4950](#) [PE2058](#) [PE7005-30](#) [PE7087-10](#)