



## N Female Connector Solder Attachment 4 Hole Flange Mount Solder Cup Terminal

### RF Connectors Technical Data Sheet

PE45085

#### Configuration

- N Female Connector
- 50 Ohms
- Straight Body Geometry
- Connector Interface Types: Solder Cup
- 4 Hole Flange

#### Features

- Max. Operating Frequency 11 GHz
- Gold Plated Phosphor Bronze Contact

#### Applications

- General Purpose Test
- Rack and Panel Mount Applications

#### Description

Pasternack's PE45085 type N female 4 hole flange mount connector with Solder Cup terminal is part of our full line of RF components available for same-day shipping. Our type N female connector operates up to a maximum frequency of 11 GHz. This type N 4 hole flange connector allows designers to create external connections on their product enclosures, and can be used in a variety of other rack mount and panel mount applications.

Our type N female 4 hole flange connector PE45085 datasheet specifications and drawing with dimensions are shown below in this PDF. Pasternack's broad catalog of RF, microwave and millimeter wave connectors allows designers to configure and customize their signal connections however they like. Whether the need is to provide an I/O for a board design, or simply create a custom cable assembly configuration, Pasternack has the right connector for the job. Pasternack can also expertly build your custom cable assemblies for you and ship same-day.

#### Electrical Specifications

| Description     | Minimum | Typical | Maximum | Units |
|-----------------|---------|---------|---------|-------|
| Frequency Range | DC      |         | 11      | GHz   |

#### Mechanical Specifications

| Size       |                     |
|------------|---------------------|
| Length     | 1.13 in [28.7 mm]   |
| Width/Dia. | 1 in [25.40 mm]     |
| Height     | 1 in [25.4 mm]      |
| Weight     | 0.067 lbs [30.39 g] |

Click the following link (or enter part number in "SEARCH" on website) to obtain additional part information including price, inventory and certifications: [N Female Connector Solder Attachment 4 Hole Flange Mount Solder Cup Terminal PE45085](#)



N Female Connector Solder Attachment 4 Hole  
Flange Mount Solder Cup Terminal

RF Connectors  
Technical Data Sheet

PE45085

**Material Specifications**

| Description     | Material        | Plating   |
|-----------------|-----------------|-----------|
| Contact         | Phosphor Bronze | Gold      |
| Insulation      | PTFE            |           |
| Outer Conductor | Brass           | Tri-Metal |

**Environmental Specifications**

**Temperature**

Operating Range -65 to +165 deg C

**Compliance Certifications** (see [product page](#) for current document)

**Plotted and Other Data**

Notes:

N Female Connector Solder Attachment 4 Hole Flange Mount Solder Cup Terminal from Pasternack Enterprises has same day shipment for domestic and International orders. Our RF, microwave and millimeter wave products maintain a 99.4% availability and are part of the broadest selection in the industry.

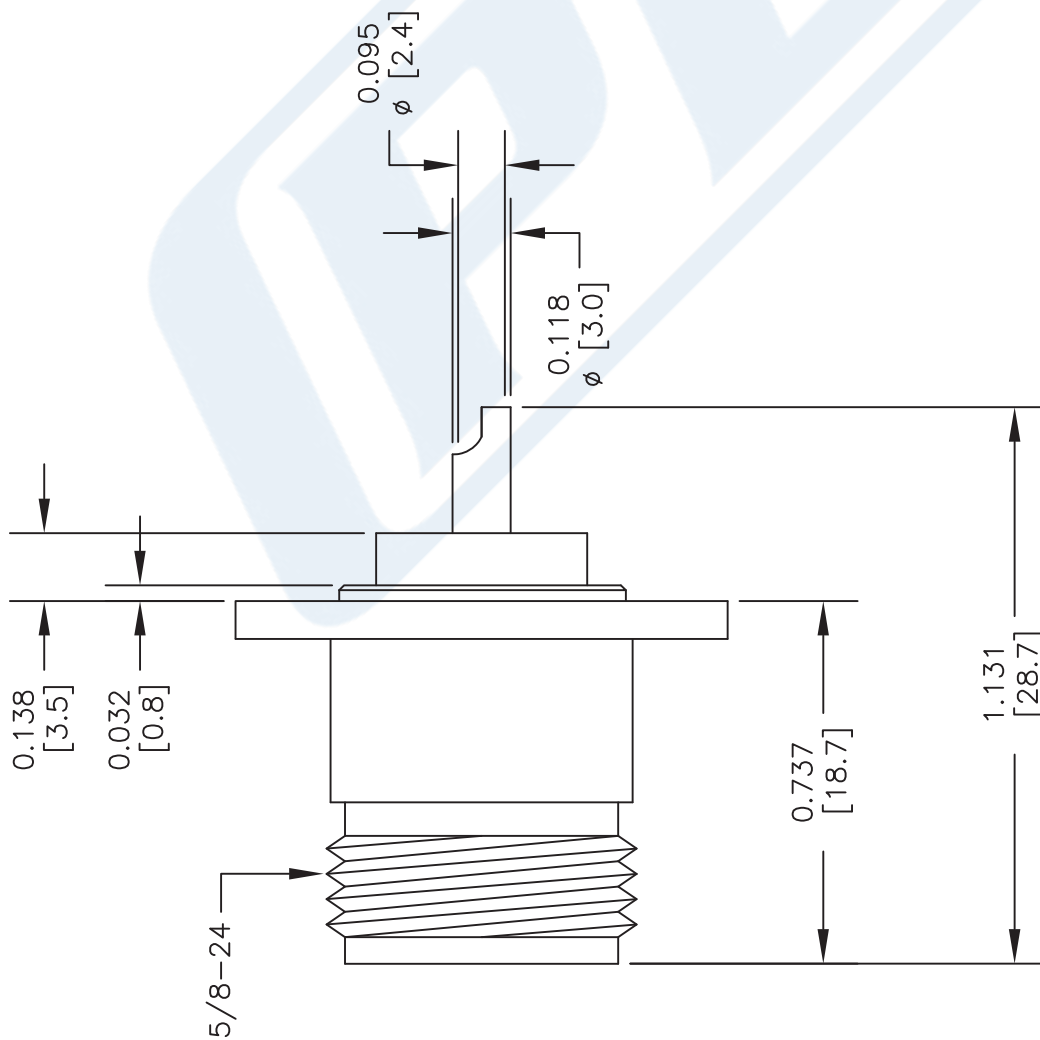
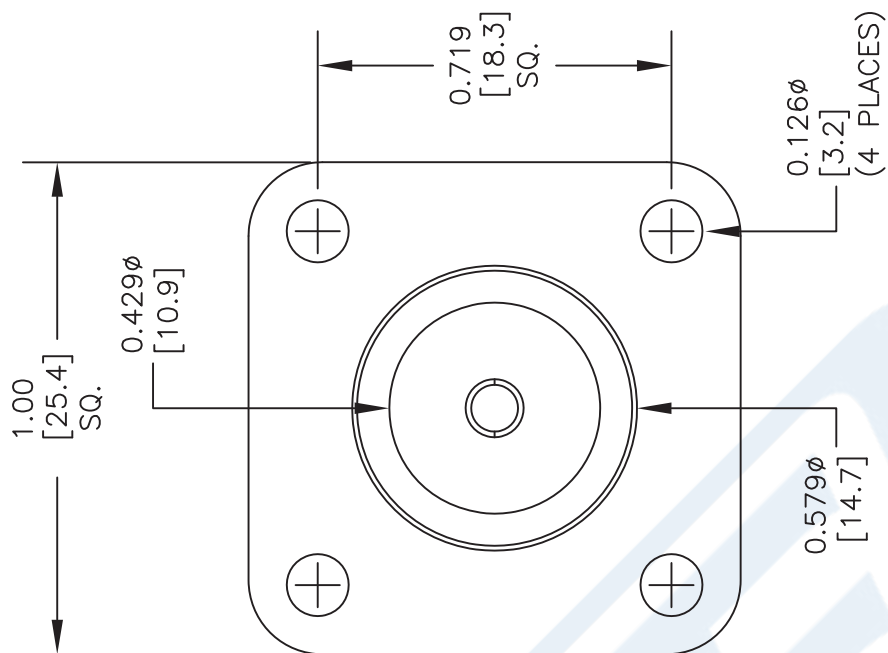
Click the following link (or enter part number in "SEARCH" on website) to obtain additional part information including price, inventory and certifications: [N Female Connector Solder Attachment 4 Hole Flange Mount Solder Cup Terminal PE45085](#)

URL: <https://www.pasternack.com/n-female-solder-cup-terminal-connector-pe45085-p.aspx>

The information contained in this document is accurate to the best of our knowledge and representative of the part described herein. It may be necessary to make modifications to the part and/or the documentation of the part, in order to implement improvements. Pasternack reserves the right to make such changes as required. Unless otherwise stated, all specifications are nominal. Pasternack does not make any representation or warranty regarding the suitability of the part described herein for any particular purpose, and Pasternack does not assume any liability arising out of the use of any part or documentation.

# PE45085 CAD Drawing

N Female Connector Solder Attachment 4 Hole Flange Mount Solder Cup Terminal



DWG TITLE

**PE45085**

NOTES:  
1. UNLESS OTHERWISE SPECIFIED ALL DIMENSIONS ARE NOMINAL.  
2. ALL SPECIFICATIONS ARE SUBJECT TO CHANGE WITHOUT NOTICE AT ANY TIME.  
3. DIMENSIONS ARE IN INCHES [mm].

FSCM NO. 53919

CAD FILE 111214

SCALE N/A

SIZE A

150



Pasternack Enterprises, Inc.  
P.O. Box 16759 | Irvine | CA | 92623  
Phone: (949) 261-1920 | Fax: (949) 261-7451  
Website: www.pasternack.com | E-Mail: sales@pasternack.com

## **X-ON Electronics**

Largest Supplier of Electrical and Electronic Components

*Click to view similar products for [Pasternack](#) manufacturer:*

Other Similar products are found below :

[PE91190](#) [PE6234](#) [PE91134](#) [PE6TR003](#) [PE91612](#) [PE91141](#) [PE6227](#) [PE91211](#) [PE44472](#) [PE4075](#) [PE4472](#) [PE7AP006-03](#) [PE7029-20](#)  
[PE7000-10](#) [PE7390-6](#) [PE7000-30](#) [PE7092-30](#) [PE7424-30](#) [PE45307](#) [PE6156A](#) [PE45255](#) [PE91212](#) [PE45375](#) [PE91052](#) [PE44827](#) [PE91106](#)  
[PE91258](#) [PE44353](#) [PE4329](#) [PE4048](#) [PE4025](#) [PE44276](#) [PE7087-20](#) [PE7014-20](#) [PE7000-20](#) [PE91031](#) [PE1402](#) [PE91446](#) [PE45145](#) [TC-400-](#)  
[SM-X](#) [PE44717](#) [PE4081](#) [PE4343](#) [PE4298](#) [PE4604](#) [PE4571](#) [PE4950](#) [PE2058](#) [PE7005-30](#) [PE7087-10](#)