



## 2 Watt RF Load Up to 4 GHz with BNC Male

### RF Terminations Technical Data Sheet

PE6156A

#### Features

- DC to 4 GHz Frequency Range
- Max Power 2 Watt (CW)
- BNC Male Coaxial Interface
- Max VSWR 1.2:1
- 50ohm Impedance

#### Applications

- Wireless
- Video Signal Transmission
- Radar Systems
- Test and Measurement
- Commercial and Military Communication
- Avionics

#### Description

Pasternack's PE6156A is an RF termination (also called RF load or dummy load) that operates from DC to 4 GHz and handles up to 2 Watt (CW). Our BNC termination / load has a male gender.

RF load / terminations are indispensable components in many RF, microwave and millimeter wave systems where signal reflection from unused ports can potentially damage the device or reduce the signal integrity. By terminating an unused port with a matched load (dummy load), the incident energy will be absorbed with minimal reflection. These termination components are commonly used to terminate devices such as couplers, circulators, and switches. They are also widely used in measurement systems to ensure accurate results. Pasternack offers a huge selection of RF, microwave and millimeter wave terminations up to 65 GHz with excellent performance over the entire operating range and power handling capabilities up to 800 Watt (CW).

#### Electrical Specifications

Description	Minimum	Typical	Maximum	Units
Frequency Range	DC		4	GHz
Impedance		50		Ohms
VSWR			1.2:1	
Input Power (CW)			2	Watts

#### Mechanical Specifications

##### Size

Length	1.1 in [27.94 mm]
Width	0.57 in [14.48 mm]
Weight	0.0269 lbs [12.2 g]

##### Configuration

Connector	BNC Male
-----------	----------

Click the following link (or enter part number in "SEARCH" on website) to obtain additional part information including price, inventory and certifications: [2 Watt RF Load Up to 4 GHz with BNC Male PE6156A](#)



## 2 Watt RF Load Up to 4 GHz with BNC Male

### RF Terminations Technical Data Sheet

PE6156A

#### Material Specifications

Description	Material	Plating
Connector 1 Contact	Brass	Gold 4μ in. minimum
Insulation	PTFE	
Body	Brass	Tri-Metal
Coupling Nut	Brass	Tri-Metal

#### Environmental Specifications

##### Temperature

Operating Range -55 to +165 deg C

**Compliance Certifications** (see [product page](#) for current document)

#### Plotted and Other Data

Notes:

2 Watt RF Load Up to 4 GHz with BNC Male from Pasternack Enterprises has same day shipment for domestic and International orders. Our RF, microwave and millimeter wave products maintain a 99.4% availability and are part of the broadest selection in the industry.

Click the following link (or enter part number in "SEARCH" on website) to obtain additional part information including price, inventory and certifications: [2 Watt RF Load Up to 4 GHz with BNC Male PE6156A](#)

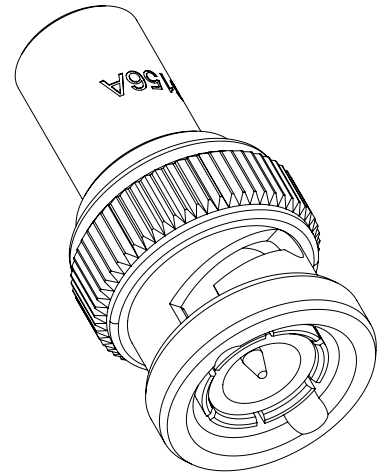
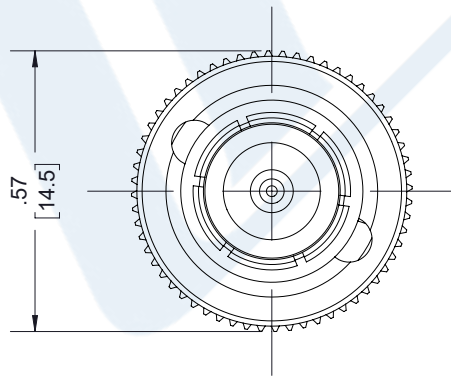
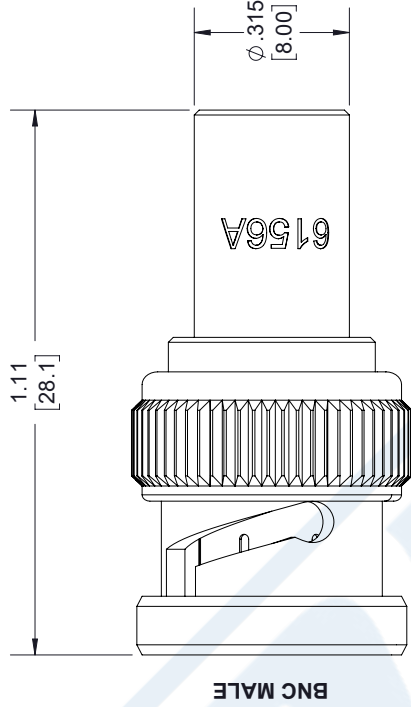
URL: <https://www.pasternack.com/2-watts-bnc-male-rf-load-4-ghz-pe6156a-p.aspx>

The information contained in this document is accurate to the best of our knowledge and representative of the part described herein. It may be necessary to make modifications to the part and/or the documentation of the part, in order to implement improvements. Pasternack reserves the right to make such changes as required. Unless otherwise stated, all specifications are nominal. Pasternack does not make any representation or warranty regarding the suitability of the part described herein for any particular purpose, and Pasternack does not assume any liability arising out of the use of any part or documentation.

# PE6156A CAD Drawing

## 2 Watt RF Load Up to 4 GHz with BNC Male

REVISIONS		
REV.	DESCRIPTION	DATE
A	INITIAL RELEASE	4/26/2021
		APPROVED
		S.PONG



UNLESS OTHERWISE SPECIFIED  
LEADING DIMENSIONS ARE INCHES  
DIMENSIONS IN [ ] ARE MILLIMETERS

**TOLERANCES:**

.X = ±.2	[5.08]	FRACTIONS	± 1/32
.XX = ±.02	[.51]	ANGLES ± 1°	
.XXX = ±.005	[.13]	<b>CABLE LENGTH (L) TOLERANCES:</b>	
		L ≤ 12 [305]	= +1 [25] / -0
		12 [305] < L ≤ 60 [1524]	= +2 [51] / -0
		60 [1524] < L ≤ 120 [3048]	= +4 [102] / -0
		120 [3048] < L ≤ 300 [7620]	= +6 [152] / -0
		300 [7620] < L ≤ ∞	= +5% / L / -0

ALL DIMENSIONS SHOWN  
ARE FOR REFERENCE ONLY.

**PE PASTERNAK**  
an INFINITO brand

Pasternack Enterprises, Inc.  
P. O. Box 16759, Irvine, CA 92623.  
Phone: 1.949.261.1920 | 1.866.727.8376  
Fax: 1.949.261.7451  
Website: www.pasternack.com  
E-mail: sales@pasternack.com

THIRD-ANGLE PROJECTION

THE INFORMATION AND  
DESIGN IN THIS DOCUMENT  
IS THE PROPERTY OF  
PASTERNAK CORPORATION  
ALL RIGHTS RESERVED.

SHEET 1 OF 1

SCALE N/A

REV A

ITEM NO. PE6156A

DRAWN BY K.DANG

CAGE CODE A 53919

## **X-ON Electronics**

Largest Supplier of Electrical and Electronic Components

*Click to view similar products for [Pasternack](#) manufacturer:*

Other Similar products are found below :

[PE91190](#) [PE6234](#) [PE91134](#) [PE6TR003](#) [PE91612](#) [PE91141](#) [PE6227](#) [PE91211](#) [PE44472](#) [PE4075](#) [PE4472](#) [PE7AP006-03](#) [PE7029-20](#)  
[PE7000-10](#) [PE7390-6](#) [PE7000-30](#) [PE7092-30](#) [PE7424-30](#) [PE83CR1004](#) [PE9451](#) [PE9438](#) [PE9649](#) [PE9491](#) [PE9431](#) [PE9433](#) [PE7034-1](#)  
[PE6034](#) [PE2020](#) [PE9659](#) [PE83CR001](#) [PE9378](#) [PE9456](#) [PE9193](#) [PE8025](#) [PE9182](#) [PE9295](#) [PE9337](#) [PE9130](#) [PE7139](#) [PE8306](#) [PE7007](#)  
[PE8210](#) [PE9082](#) [PE9454](#) [PE9538](#) [PE8401](#) [PE8402](#) [PE9249](#) [PE83CR1019](#) [PE9264](#)