



20 dB Fixed Attenuator, 75 Ohm N Male to 75 Ohm N Female Brass Nickel Body Rated to 2 Watts Up to 4 GHz

RF Fixed Attenuators Technical Data Sheet

PE7044-20

Description

Pasternack carries a wide range of fixed attenuators with a broad selection of attenuation levels, frequency ranges, and power dissipation ranges. RF microwave attenuators (also known as RF pads) lower the amplitude of a signal (attenuate) a known amount and can be used in a wide variety of applications. These attenuator pads are used when a signal needs to be reduced to protect measurement equipment or other circuitry, to extend the range of power meters and amplifiers, and to impedance match circuits by reducing the VSWR seen by adjacent components. RF attenuators can prevent signal overload in amplifiers, receivers and detectors, adjusting the signal level to a range that is optimal.

Few RF components are as commonly used as fixed coaxial attenuators, and Pasternack carries one of the largest in-stock varieties and ships them same day. The 20 dB Fixed Attenuator PE7044-20 is rated to 2 Watts and operates from DC to 4 GHz. The versatile coaxial package uses type N male to type N female connectors and is also REACH and RoHS compliant.

Electrical Specifications

Description	Minimum	Typical	Maximum	Units
Frequency Range	DC		4	GHz
Impedance		75		Ohms
Nominal Attenuation		20		dB
VSWR			1.3:1	
Input Power, CW			2	Watts

Specifications by Frequency

Description	F1	F2	F3	F4	F5	Units
Range	DC to 4					GHz
Attenuation Accuracy, Typ	0.6					dB

Mechanical Specifications

Size

Length	1.8 in [45.72 mm]
Width/Diameter	0.8 in [20.32 mm]
Weight	0.127 lbs [57.61 g]
Body Material and Plating	Brass, Nickel

Configuration

Design	Fixed, Bidirectional
--------	----------------------

Click the following link (or enter part number in "SEARCH" on website) to obtain additional part information including price, inventory and certifications: [20 dB Fixed Attenuator, 75 Ohm N Male to 75 Ohm N Female Brass Nickel Body Rated to 2 Watts Up to 4 GHz PE7044-20](#)



20 dB Fixed Attenuator, 75 Ohm N Male to 75 Ohm N Female Brass Nickel Body Rated to 2 Watts Up to 4 GHz

RF Fixed Attenuators Technical Data Sheet

PE7044-20

Connectors

Description	Connector 1	Connector 2
Type	N Male	N Female
Contact Material and Plating	Beryllium Copper, Gold	Beryllium Copper, Gold
Outer Conductor Material and Plating	Beryllium Copper, Gold	
Coupling Nut Material and Plating	Brass, Nickel	
Body Material and Plating	Brass, Nickel	Brass, Nickel

Environmental Specifications

Compliance Certifications (see [product page](#) for current document)

Plotted and Other Data

Notes:

20 dB Fixed Attenuator, 75 Ohm N Male to 75 Ohm N Female Brass Nickel Body Rated to 2 Watts Up to 4 GHz from Pasternack Enterprises has same day shipment for domestic and International orders. Our RF, microwave and millimeter wave products maintain a 99.4% availability and are part of the broadest selection in the industry.

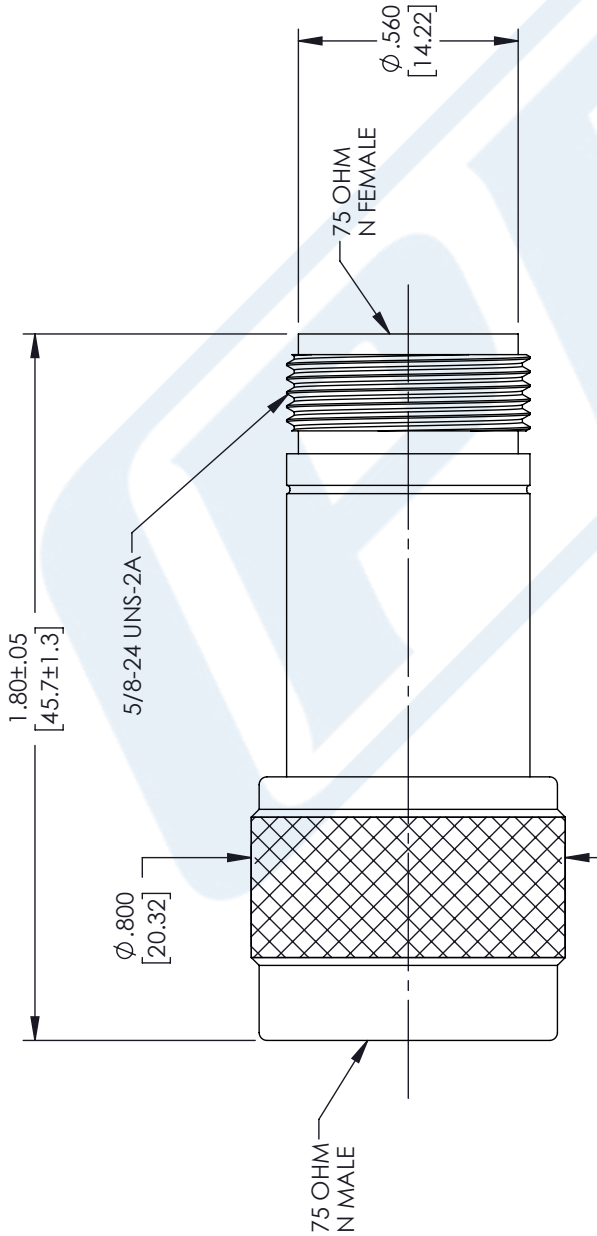
Click the following link (or enter part number in "SEARCH" on website) to obtain additional part information including price, inventory and certifications: [20 dB Fixed Attenuator, 75 Ohm N Male to 75 Ohm N Female Brass Nickel Body Rated to 2 Watts Up to 4 GHz PE7044-20](#)

URL: <https://www.pasternack.com/20db-fixed-n-male-n-female-2-watts-attenuator-pe7044-20-p.aspx>

PE7044-20 CAD Drawing

20 dB Fixed Attenuator, 75 Ohm N Male to 75 Ohm N Female
 Brass Nickel Body Rated to 2 Watts Up to 4 GHz

REVISIONS			
REV.	DESCRIPTION	DATE	APPROVED
B	PCR PE7044-3 20220822	08/31/2022	SPONG



P/N	ATTEN.
PE7044-1	1 dB
PE7044-2	2 dB
PE7044-3	3 dB
PE7044-6	6 dB
PE7044-10	10 dB
PE7044-20	20 dB
PE7044-30	30 dB

UNLESS OTHERWISE SPECIFIED
 LEADING DIMENSIONS ARE INCHES
 DIMENSIONS IN [] ARE MILLIMETERS

TOLERANCES:
 .X = ± 2 [5.08] FRACTIONS ± 1/32
 .XX = ± 0.2 [5.1] ANGLES ± 1°
 .XXX = ± 0.05 [1.3]

CABLE LENGTH (L), TOLERANCES:
 L ≤ 12 [305] = +1 [25] / -0
 12 [305] < L ≤ 60 [1524] = +2 [51] / -0
 60 [1524] < L ≤ 120 [3048] = +4 [102] / -0
 120 [3048] < L ≤ 300 [7620] = +6 [152] / -0
 300 [7620] < L = +5% / -0

ALL DIMENSIONS SHOWN
 ARE FOR REFERENCE ONLY.

PE PASTERNAK
 an INFINIT brand

Pasternack Enterprises, Inc.
 P. O. Box 16759, Irvine, CA 92623.
 Phone: 1.949.261.1920 | 1.866.727.8376
 Fax: 1.949.261.7451
 Website: www.pasternack.com
 E-mail: sales@pasternack.com

THIRD-ANGLE PROJECTION

THE INFORMATION AND DESIGN IN THIS DOCUMENT IS THE PROPERTY OF PASTERNAK CORPORATION ALL RIGHTS RESERVED.

SHEET 1 OF 1
 SCALE N/A

CAGE CODE 53919 DRAWN BY KGLEBOVA ITEM NO. PE7044 REV B

THESE COMMODITIES, TECHNOLOGY OR SOFTWARE WERE EXPORTED FROM THE UNITED STATES IN ACCORDANCE WITH THE EXPORT ADMINISTRATION REGULATIONS. DIVERSION CONTRARY TO U.S. LAW PROHIBITED.

X-ON Electronics

Largest Supplier of Electrical and Electronic Components

Click to view similar products for [Pasternack](#) manufacturer:

Other Similar products are found below :

[EZ-240-SM-X](#) [PE1402](#) [PE2020](#) [PE2058](#) [PE20DV1041](#) [PE20DV1048](#) [PE2CP004-10](#) [PE2CP005-20](#) [PE4003](#) [PE4008](#) [PE4009](#) [PE4014](#)
[PE4016](#) [PE4025](#) [PE4037](#) [PE4042](#) [PE4044](#) [PE4047](#) [PE4048](#) [PE4062](#) [PE4075](#) [PE4081](#) [PE4084](#) [PE4093](#) [PE4098](#) [PE4106](#) [PE4126](#) [PE4132](#)
[PE4181](#) [PE4182](#) [PE4190](#) [PE4192](#) [PE4193](#) [PE4221](#) [PE4229](#) [PE4230](#) [PE4234](#) [PE4243](#) [PE4298](#) [PE4316](#) [PE4329](#) [PE4343](#) [PE4375](#) [PE4400](#)
[PE44004](#) [PE4402](#) [PE44080](#) [PE4409](#) [PE44102](#) [PE44204](#)