



## Bulkhead Hermetically Sealed BNC Female to BNC Female Adapter

### RF Adapters Technical Data Sheet

PE9093

#### Configuration

- BNC Female Connector 1
- BNC Female Connector 2
- 50 Ohms
- Straight Body Geometry
- Bulkhead Mount Method

#### Features

- Max VSWR of 1.5:1 up to 4 GHz
- Hermetically Sealed
- BNC Interface compliant with MIL-STD-348A
- Gold Plated Brass Contact
- 30  $\mu$ -in min. Gold Contact Plating

#### Applications

- General Purpose Test
- Vacuum Test Environment
- Rack Mounted Equipment

#### Description

Pasternack's PE9093 bulkhead hermetically sealed BNC female to BNC female adapter is part of our full line of RF components available for same-day shipping. Our BNC to BNC adapter has a female to female gender configuration. PE9093 BNC female to BNC female adapter operates to 4 GHz. The Pasternack RF adapter provides good VSWR of 1.5:1 maximum. This RF BNC bulkhead to BNC adapter allows designers to create external connections on their product enclosures, and can be used in a variety of other rack mount and panel mount applications. This hermetic BNC to BNC adapter prevents the leakage of gases, making it suitable for high pressure or vacuum applications or whenever an airtight seal is required.

RF adapters are often used to enable connections between two connector types that would otherwise not mate. Certain adapter configurations can also be used to protect connectors on expensive equipment where the number of connect/disconnect cycles is high. An RF, microwave or millimeter wave adapter is connected to the equipment, and the commonly changed connection is made with the adapter which can be easily replaced when it wears out after high usage; such adapters are referred to as connector savers. Pasternack also offers bulkhead, panel mount, hermetically sealed, reverse polarity, and isolated ground adapter varieties to serve all of your RF, microwave and millimeter wave needs.

#### Electrical Specifications

Description	Minimum	Typical	Maximum	Units
Frequency Range	DC		4	GHz
VSWR		1.4:1	1.5:1	
Operating Voltage (AC)			500	Vrms
Dielectric Withstanding Voltage (AC)			1,500	Vrms
Inner Conductor DC Resistance			1.5	mOhms
Outer Conductor DC Resistance			1	mOhms
Insulation Resistance	5,000			MOhms

Click the following link (or enter part number in "SEARCH" on website) to obtain additional part information including price, inventory and certifications: [Bulkhead Hermetically Sealed BNC Female to BNC Female Adapter PE9093](#)



Bulkhead Hermetically Sealed BNC  
Female to BNC Female Adapter

RF Adapters Technical Data Sheet

PE9093

**Mechanical Specifications**

**Size**

Length	1.555 in [39.5 mm]
Width	0.689 in [17.5 mm]
Height	0.689 in [17.5 mm]
Weight	0.05 lbs [22.68 g]

Description	Connector 1	Connector 2
Type	BNC Female	BNC Female
Polarity	Standard	Standard
Interface Specification	MIL-STD-348A	MIL-STD-348A
Connector Option	Hermetically Sealed	Hermetically Sealed
Mating Cycles	500	500

**Material Specifications**

Description	Connector 1		Connector 2	
	Material	Plating	Material	Plating
Type	BNC Female		BNC Female	
Contact	Brass	Gold 30µ in. minimum	Brass	Gold 30µ in. minimum
Insulation	PTFE		PTFE	
Outer Conductor	Brass	Nickel 100µ in. minimum	Brass	Nickel 100µ in. minimum

**Environmental Specifications**

**Temperature**

Operating Range -65 to +165 deg C

Vibration

MIL-STD-202. Method 204, Condition D

Salt Spray

MIL-STD-202. Method 101, Condition B

Hermetic Seal

Waterproof leak test pressure 7kg/cm<sup>2</sup> min.

**Compliance Certifications** (see [product page](#) for current document)

**Plotted and Other Data**

Notes:

Click the following link (or enter part number in "SEARCH" on website) to obtain additional part information including price, inventory and certifications: [Bulkhead Hermetically Sealed BNC Female to BNC Female Adapter PE9093](#)

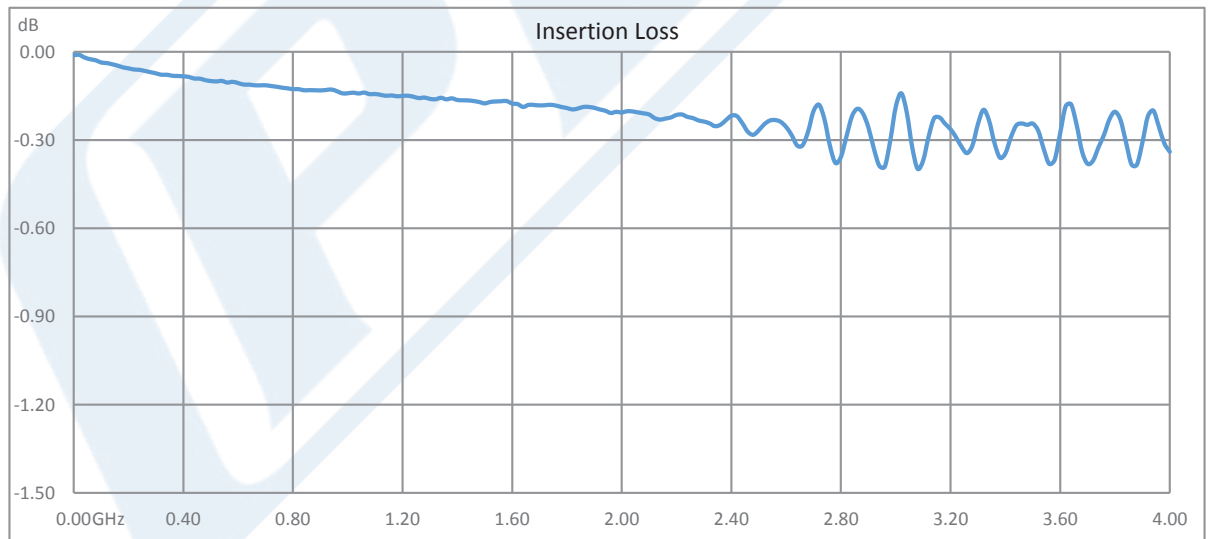


Bulkhead Hermetically Sealed BNC  
Female to BNC Female Adapter

RF Adapters Technical Data Sheet

PE9093

Typical Performance Data



Click the following link (or enter part number in "SEARCH" on website) to obtain additional part information including price, inventory and certifications: [Bulkhead Hermetically Sealed BNC Female to BNC Female Adapter PE9093](#)



## Bulkhead Hermetically Sealed BNC Female to BNC Female Adapter

### RF Adapters Technical Data Sheet

PE9093

Bulkhead Hermetically Sealed BNC Female to BNC Female Adapter from Pasternack Enterprises has same day shipment for domestic and International orders. Our RF, microwave and millimeter wave products maintain a 99% availability and are part of the broadest selection in the industry.

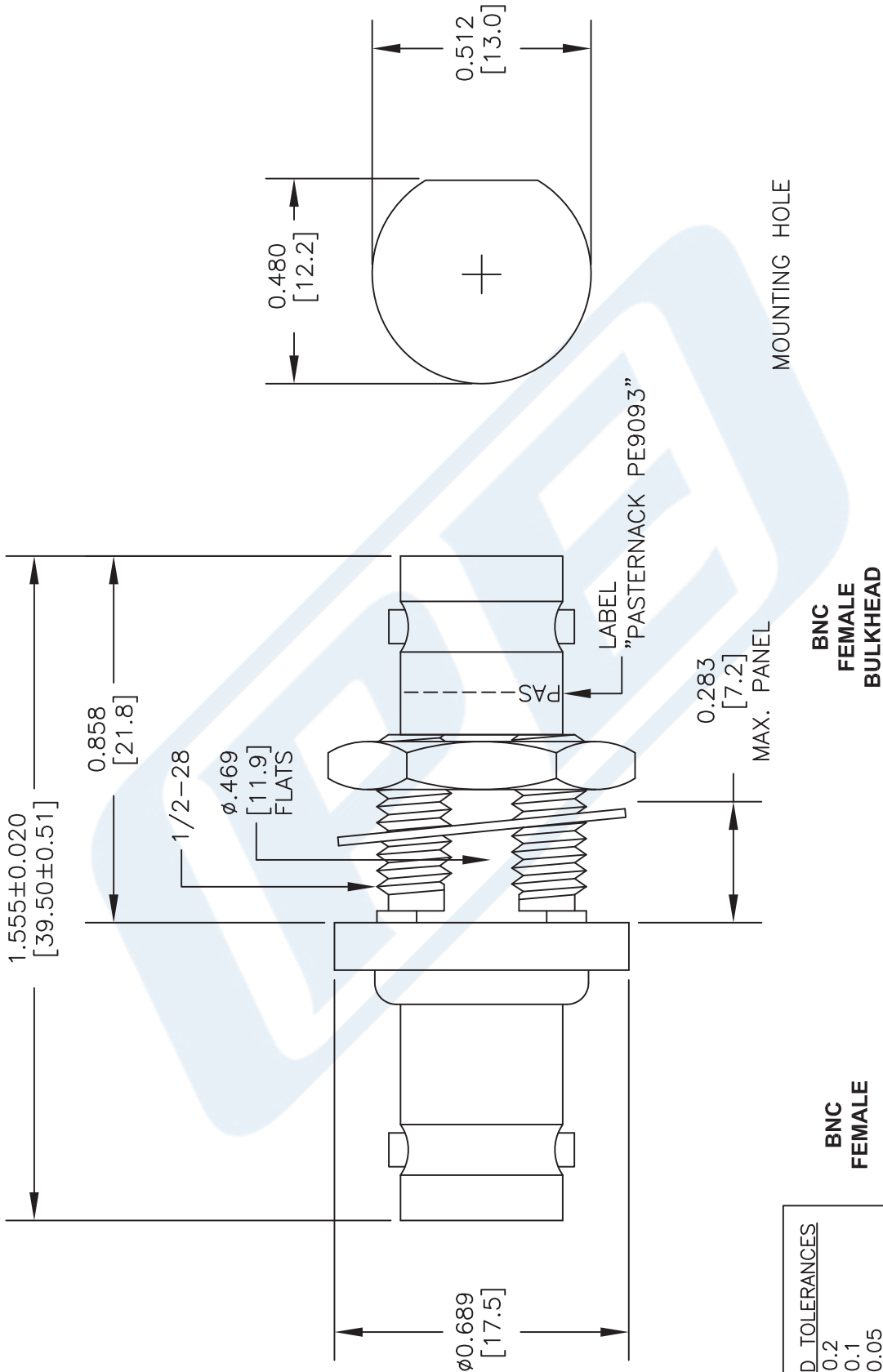
Click the following link (or enter part number in "SEARCH" on website) to obtain additional part information including price, inventory and certifications: [Bulkhead Hermetically Sealed BNC Female to BNC Female Adapter PE9093](https://www.pasternack.com/bnc-female-bnc-female-straight-adapter-pe9093-p.aspx)

URL: <https://www.pasternack.com/bnc-female-bnc-female-straight-adapter-pe9093-p.aspx>

The information contained in this document is accurate to the best of our knowledge and representative of the part described herein. It may be necessary to make modifications to the part and/or the documentation of the part, in order to implement improvements. Pasternack reserves the right to make such changes as required. Unless otherwise stated, all specifications are nominal. Pasternack does not make any representation or warranty regarding the suitability of the part described herein for any particular purpose, and Pasternack does not assume any liability arising out of the use of any part or documentation.

# PE9093 CAD Drawing

Bulkhead Hermetically Sealed BNC Female to BNC Female Adapter



**STANDARD TOLERANCES**  
 .X ±0.2  
 .XX ±0.1  
 .XXX ±0.05

\*STANDARD TOLERANCES APPLY ONLY TO DIMENSIONS IN INCHES

**DWG TITLE**  
**PE9093**

**FSCM NO. 53919**

**NOTES:**  
 1. UNLESS OTHERWISE SPECIFIED ALL DIMENSIONS ARE NOMINAL.  
 2. ALL SPECIFICATIONS ARE SUBJECT TO CHANGE WITHOUT NOTICE AT ANY TIME.  
 3. DIMENSIONS ARE IN INCHES [mm].

**PE PASTERNAK®**  
 THE ENGINEER'S RF SOURCE  
 Pasternack Enterprises, Inc.  
 P.O. Box 16759 | Irvine | CA | 92623  
 Phone: (949) 261-1920 | Fax: (949) 261-7451  
 Website: www.pasternack.com | E-Mail: sales@pasternack.com

CAD FILE	020816	SCALE	N/A	SIZE	A	3045
----------	--------	-------	-----	------	---	------

## X-ON Electronics

Largest Supplier of Electrical and Electronic Components

*Click to view similar products for [Circuit Breakers](#) category:*

*Click to view products by [Pasternack](#) manufacturer:*

Other Similar products are found below :

[LUGZX66-1-61-20.0-44](#) [M39019/01-201](#) [M39019/01-221](#) [M39019/04-249S](#) [M39019/04-313S](#) [M55629/1-016](#) [M55629/1-018](#) [M55629/1-021](#)  
[M55629/1-033](#) [M55629/1-046](#) [M55629/1-048](#) [M55629/1-058](#) [M55629/1-067](#) [M55629/1-070](#) [M55629/1-079](#) [M55629/1-084](#) [M55629/1-085](#)  
[M55629/1-109](#) [M55629/11-102](#) [M55629/12-045](#) [M55629/12-046](#) [M55629/1-330](#) [M55629/1-366](#) [M55629/1-387](#) [M55629/1-401](#) [M55629/2-](#)  
[022](#) [M55629/2-030](#) [M55629/2-072](#) [M55629/2-082](#) [M55629/2-099](#) [M55629/2-101](#) [M55629/2-102](#) [M55629/21-BM-BM](#) [M55629/21-HM-HM](#)  
[M55629/21-NS-NS](#) [M55629/22-NR-NR-NR](#) [M55629/22-RS-RS-RS](#) [M55629/2-347](#) [M55629/2-401](#) [M55629/2-413](#) [M55629/3-030](#)  
[M55629/3-050](#) [M55629/3-102](#) [M55629/3-103](#) [M55629/3-128](#) [M55629/3-130](#) [M55629/3-238](#) [M55629/3-386](#) [M55629/3-LBZB](#) [M55629/4-](#)  
[115](#)