



BNC Triax Tee Adapter Male-Female-Female

RF Adapters Technical Data Sheet

PE91106

Configuration

- BNC Triax Male Connector 1
- BNC Triax Female Connector 2
- Non-Constant Impedance
- Tee Body Geometry

Features

- BNC Triax interface compliant with MIL-C-39012
- Contact plating according to MIL-G-45204
- Gold Plated Contact

Applications

- General Purpose Test

Description

Pasternack's PE91106 BNC Triax Tee adapter male-female-female is part of our full line of RF components available for same-day shipping. Our BNC Triax tee adapter has a male-female-female gender configuration. Our BNC Triax tee connector operates to 500 MHz. Tee adapters (also called tee connectors) are three port devices that can be used to split or combine a signal. Unlike power dividers/combiners, however, they do not provide matched impedance at all ports.

RF adapters are often used to enable connections between two connector types that would otherwise not mate. Certain adapter configurations can also be used to protect connectors on expensive equipment where the number of connect/disconnect cycles is high. An RF, microwave or millimeter wave adapter is connected to the equipment, and the commonly changed connection is made with the adapter which can be easily replaced when it wears out after high usage; such adapters are referred to as connector savers. Pasternack also offers bulkhead, panel mount, hermetically sealed, reverse polarity, and isolated ground adapter varieties to serve all of your RF, microwave and millimeter wave needs.

Electrical Specifications

Description	Minimum	Typical	Maximum	Units
Frequency Range	DC		500	MHz
Operating Voltage (AC)			500	Vrms
Dielectric Withstanding Voltage (AC)			1,500	Vrms
Insulation Resistance	5,000			MOhms

Electrical Specification Notes:
 Values at 25°C, sea level.

Mechanical Specifications

Size	
Length	1.28 in [32.51 mm]
Width	1.08 in [27.43 mm]
Weight	0.051 lbs [23.13 g]

Click the following link (or enter part number in "SEARCH" on website) to obtain additional part information including price, inventory and certifications: [BNC Triax Tee Adapter Male-Female-Female PE91106](#)



BNC Triax Tee Adapter Male-Female-Female

RF Adapters Technical Data Sheet

PE91106

Description	Connector 1	Connector 2
Type	BNC Triax Male	BNC Triax Female
Polarity	Standard	Standard
Interface Specification	MIL-C-39012	MIL-C-39012

Material Specifications

Description	Connector 1		Connector 2	
	Material	Plating	Material	Plating
Type	BNC Triax Male		BNC Triax Female	
Contact	Beryllium Copper	Gold MIL-G-45204	Beryllium Copper	Gold MIL-G-45204
Outer Conductor			Brass	Nickel QQ-N-290
Body	Brass	Nickel QQ-N-290		
Coupling Nut	Brass	Nickel QQ-N-290		

Environmental Specifications

Temperature

Operating Range -65 to +165 deg C

Compliance Certifications (see [product page](#) for current document)

Plotted and Other Data

Notes:

Click the following link (or enter part number in "SEARCH" on website) to obtain additional part information including price, inventory and certifications: [BNC Triax Tee Adapter Male-Female-Female PE91106](#)



BNC Triax Tee Adapter Male-Female-Female

RF Adapters Technical Data Sheet

PE91106

BNC Triax Tee Adapter Male-Female-Female from Pasternack Enterprises has same day shipment for domestic and International orders. Our RF, microwave and millimeter wave products maintain a 99% availability and are part of the broadest selection in the industry.

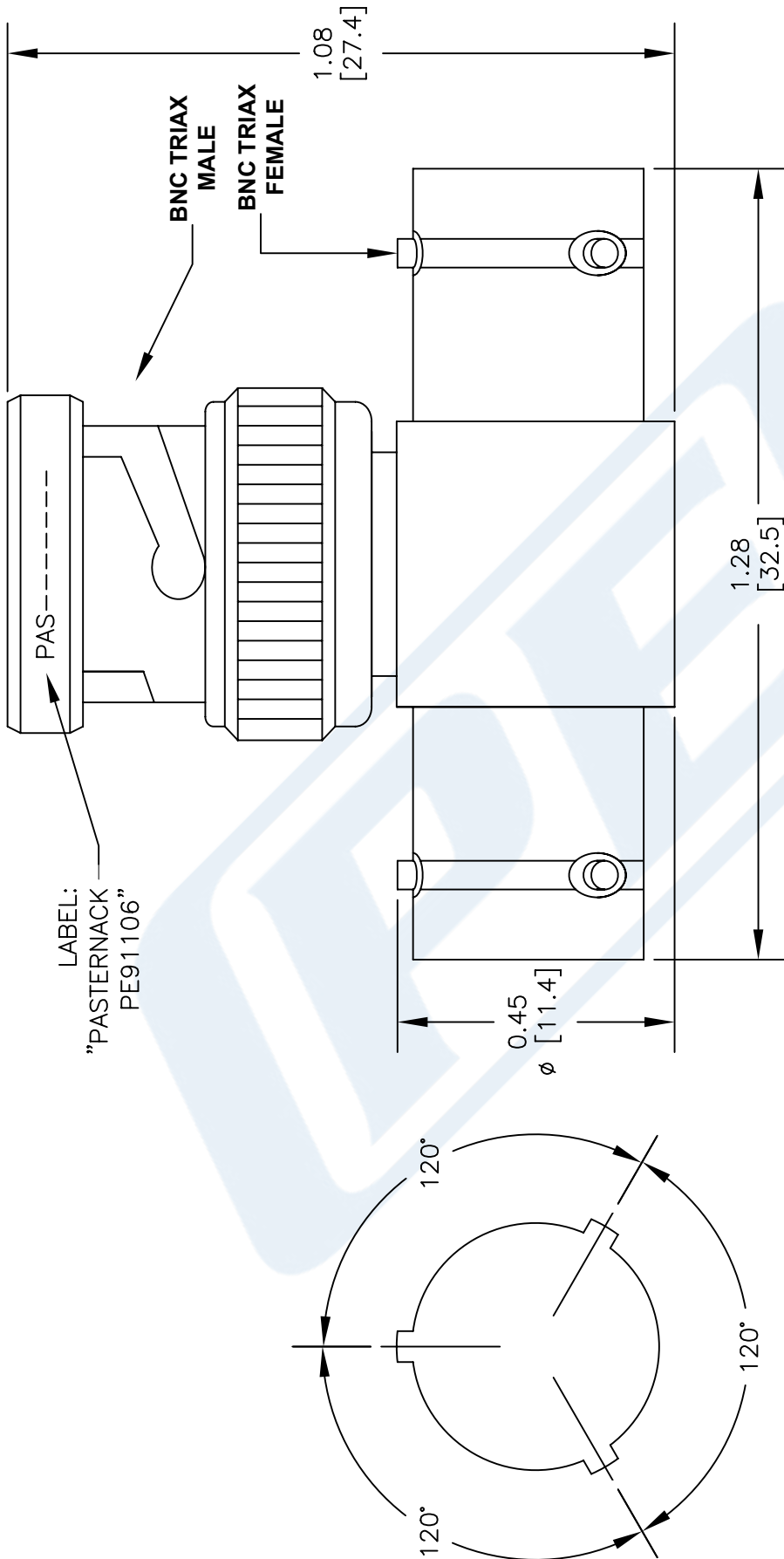
Click the following link (or enter part number in "SEARCH" on website) to obtain additional part information including price, inventory and certifications: [BNC Triax Tee Adapter Male-Female-Female PE91106](#)

URL: <https://www.pasternack.com/bnc-triax-male-female-female-tee-adapter-pe91106-p.aspx>

The information contained in this document is accurate to the best of our knowledge and representative of the part described herein. It may be necessary to make modifications to the part and/or the documentation of the part, in order to implement improvements. Pasternack reserves the right to make such changes as required. Unless otherwise stated, all specifications are nominal. Pasternack does not make any representation or warranty regarding the suitability of the part described herein for any particular purpose, and Pasternack does not assume any liability arising out of the use of any part or documentation.

PE91106 CAD Drawing

BNC Triax Tee Adapter Male-Female-Female



LABEL:
"PASTERNAK
PE91106"

STANDARD TOLERANCES	
DECIMAL	±0.02
.XX	±0.005
.XXX	±0.0005

*STANDARD TOLERANCES APPLY ONLY TO DIMENSIONS IN INCHES

NOTES:
 1. UNLESS OTHERWISE SPECIFIED ALL DIMENSIONS ARE NOMINAL.
 2. ALL SPECIFICATIONS ARE SUBJECT TO CHANGE WITHOUT NOTICE AT ANY TIME.
 3. DIMENSIONS ARE IN INCHES [mm].

DWG TITLE
PE91106

PE PASTERNAK
 THE ENGINEER'S RF SOURCE
 Pasternack Enterprises, Inc.
 P.O. Box 16759 | Irvine | CA | 92623
 Phone: (949) 261-1920 | Fax: (949) 261-7451
 Website: www.pasternack.com | E-Mail: sales@pasternack.com

CAD FILE	061316	SCALE	N/A	SIZE	A	3045
----------	--------	-------	-----	------	---	------

X-ON Electronics

Largest Supplier of Electrical and Electronic Components

Click to view similar products for [Pasternack](#) manufacturer:

Other Similar products are found below :

[EZ-240-SM-X](#) [PE1402](#) [PE2020](#) [PE2058](#) [PE20DV1041](#) [PE20DV1048](#) [PE2CP004-10](#) [PE2CP005-20](#) [PE4003](#) [PE4008](#) [PE4009](#) [PE4014](#)
[PE4016](#) [PE4025](#) [PE4037](#) [PE4042](#) [PE4044](#) [PE4047](#) [PE4048](#) [PE4062](#) [PE4075](#) [PE4081](#) [PE4084](#) [PE4093](#) [PE4098](#) [PE4106](#) [PE4126](#) [PE4132](#)
[PE4181](#) [PE4182](#) [PE4190](#) [PE4192](#) [PE4193](#) [PE4221](#) [PE4229](#) [PE4230](#) [PE4234](#) [PE4243](#) [PE4298](#) [PE4316](#) [PE4329](#) [PE4343](#) [PE4375](#) [PE4400](#)
[PE44004](#) [PE4402](#) [PE44080](#) [PE4409](#) [PE44102](#) [PE44204](#)