



7/16 DIN Male to 7/16 DIN Male Adapter IP67 Mated

TECHNICAL DATA SHEET

PE91190

**Configuration**

Connector 1	7/16 DIN Male
Impedance 1	50 Ohms
Connector Specification 1	IEC 169-4
Connector 2	7/16 DIN Male
Impedance 2	50 Ohms
Connector Specification 2	IEC 169-4
Adapter Design	Standard
Body Style	Straight

**Electrical Specifications**

Frequency Range	DC to 6 GHz
Maximum VSWR	1.15:1

**Mechanical Specifications**

<b>Size</b>	
Length, in [mm]	1.827 [46.41]

**Connector 1**

Type	7/16 DIN Male
Inner Conductor Material and Plating	Beryllium Copper, Silver
Coupling Nut Material and Plating	Brass, Tri-Metal
Hex Size, mm	32
Torque, ft-lbs [Nm]	18.333 [24.86]
Body Material and Plating	Brass, Silver
Dielectric Type	PTFE

**Connector 2**

Type	7/16 DIN Male
Inner Conductor Material and Plating	Beryllium Copper, Silver
Coupling Nut Material and Plating	Brass, Tri-Metal
Hex Size, mm	32
Torque, ft-lbs [Nm]	18.333 [24.86]
Body Material and Plating	Brass, Silver
Dielectric Type	PTFE

**Environmental Specifications**

<b>Temperature</b>	
Operating Range	-45 to +120 deg C
Ingress Protection	IP67 Mated

**Compliance Certifications** (visit [www.Pasternack.com](http://www.Pasternack.com) for current document)

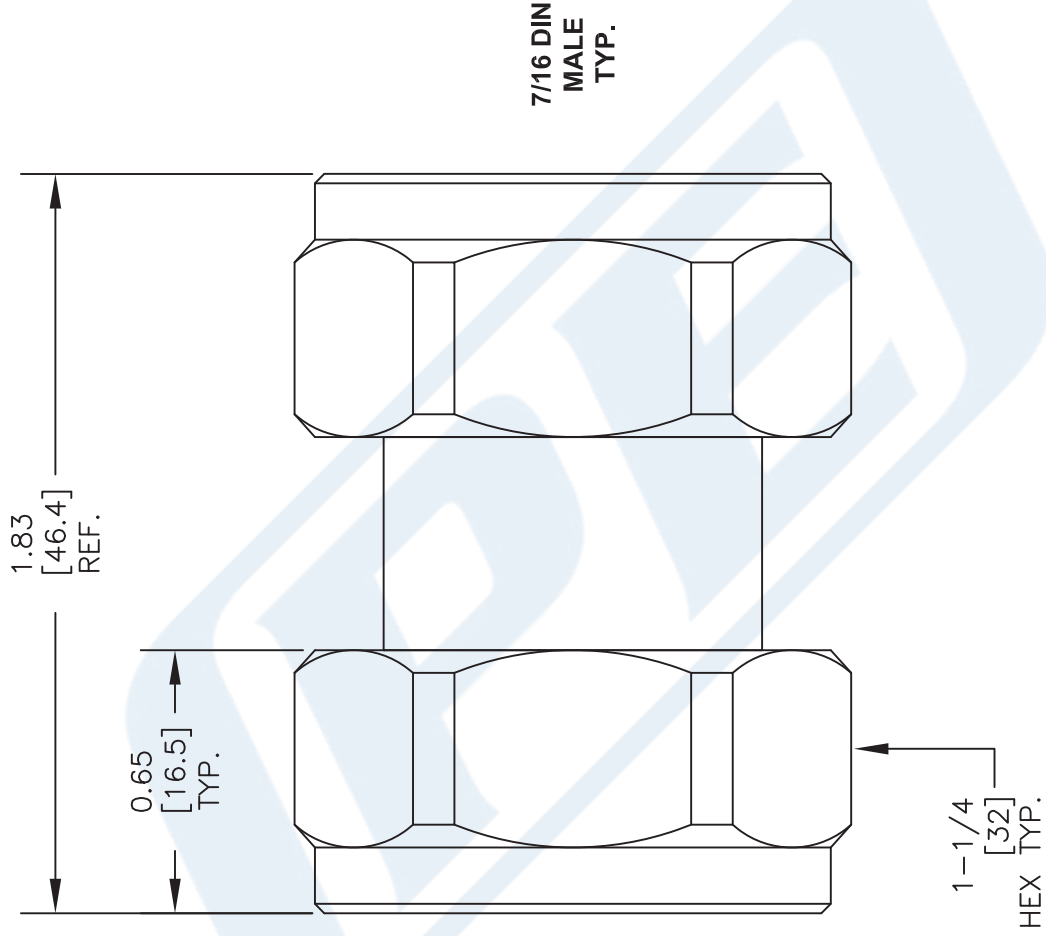
RoHS Compliant

Click the following link (or enter part number in "SEARCH" on website) to obtain additional part information including price, inventory and certifications: [7/16 DIN Male to 7/16 DIN Male Adapter IP67 Mated PE91190](#)



# PE91190 CAD Drawing

7/16 DIN Male to 7/16 DIN Male Adapter IP67 Mated



NOTES:  
1. UNLESS OTHERWISE SPECIFIED ALL DIMENSIONS ARE NOMINAL.  
2. ALL SPECIFICATIONS ARE SUBJECT TO CHANGE WITHOUT NOTICE AT ANY TIME.  
3. DIMENSIONS ARE IN INCHES [mm].

DWG TITLE  
**PE91190**

FSCM NO. 53919

CAD FILE 070214

SCALE N/A

SIZE A

2233

**PE PASTERNAK**  
THE ENGINEER'S RF SOURCE  
Pasternack Enterprises, Inc.  
P.O. Box 16759 | Irvine | CA | 92623

Phone: (949) 261-1920 | Fax: (949) 261-7451

Website: www.pasternack.com | E-Mail: sales@pasternack.com

## **X-ON Electronics**

Largest Supplier of Electrical and Electronic Components

*Click to view similar products for [Pasternack](#) manufacturer:*

Other Similar products are found below :

[EZ-240-SM-X](#) [PE1402](#) [PE2020](#) [PE2058](#) [PE20DV1041](#) [PE20DV1048](#) [PE2CP004-10](#) [PE2CP005-20](#) [PE4003](#) [PE4008](#) [PE4009](#) [PE4014](#)  
[PE4016](#) [PE4025](#) [PE4037](#) [PE4042](#) [PE4044](#) [PE4047](#) [PE4048](#) [PE4062](#) [PE4075](#) [PE4081](#) [PE4084](#) [PE4093](#) [PE4098](#) [PE4106](#) [PE4126](#) [PE4132](#)  
[PE4181](#) [PE4182](#) [PE4190](#) [PE4192](#) [PE4193](#) [PE4221](#) [PE4229](#) [PE4230](#) [PE4234](#) [PE4243](#) [PE4298](#) [PE4316](#) [PE4329](#) [PE4343](#) [PE4375](#) [PE4400](#)  
[PE44004](#) [PE4402](#) [PE44080](#) [PE4409](#) [PE44102](#) [PE44204](#)