



## Precision N Male to SMA Female Adapter

### RF Adapters Technical Data Sheet

PE91339

#### Configuration

- N Male Connector 1
- SMA Female Connector 2
- 50 Ohm
- Precision Design
- Straight Body Geometry

#### Features

- Max VSWR of 1.25:1 up to 18 GHz
- Contact plating according to MIL-STD-348
- Gold over Nickel Plated Beryllium Copper Contact

#### Applications

- Allows Connection Between Series
- General Purpose Test
- Precision Test & Measurement

#### Description

Pasternack's PE91339 type N male to SMA female adapter is part of our full line of RF components available for same-day shipping. Our type N to SMA adapter has a male to female gender configuration built of durable stainless steel in a precision design. PE91339 type N male to SMA female adapter operates to 18 GHz. The Pasternack RF adapter provides excellent VSWR of 1.25:1 maximum.

RF adapters are often used to enable connections between two connector types that would otherwise not mate. Certain adapter configurations can also be used to protect connectors on expensive equipment where the number of connect/disconnect cycles is high. An RF, microwave or millimeter wave adapter is connected to the equipment, and the commonly changed connection is made with the adapter which can be easily replaced when it wears out after high usage; such adapters are referred to as connector savers. Pasternack also offers bulkhead, panel mount, hermetically sealed, reverse polarity, and isolated ground adapter varieties to serve all of your RF, microwave and millimeter wave needs.

#### Electrical Specifications

Description	Minimum	Typical	Maximum	Units
Frequency Range	DC		18	GHz
VSWR			1.25:1	

#### Mechanical Specifications

##### Size

Length	1.14 in [28.96 mm]
Width	0.78 in [19.81 mm]
Weight	0.0652 lbs [29.57 g]

Click the following link (or enter part number in "SEARCH" on website) to obtain additional part information including price, inventory and certifications: [Precision N Male to SMA Female Adapter PE91339](#)



Precision N Male to SMA Female Adapter

RF Adapters Technical Data Sheet

PE91339

Description	Connector 1	Connector 2
Type	N Male	SMA Female
Polarity	Standard	Standard
Mating Cycles	500	500

**Material Specifications**

Description	Connector 1		Connector 2	
	Material	Plating	Material	Plating
Type	N Male		SMA Female	
Contact	Beryllium Copper	Gold over Nickel MIL-STD-348	Beryllium Copper	Gold over Nickel MIL-STD-348
Insulation	PTFE		PTFE	
Outer Conductor			Passivated Stainless Steel	
Body	Passivated Stainless Steel		Passivated Stainless Steel	
Coupling Nut	Passivated Stainless Steel			

**Environmental Specifications**

**Temperature**

Operating Range -65 to +125 deg C

**Compliance Certifications** (see [product page](#) for current document)

**Plotted and Other Data**

Notes:

Click the following link (or enter part number in "SEARCH" on website) to obtain additional part information including price, inventory and certifications: [Precision N Male to SMA Female Adapter PE91339](#)



## Precision N Male to SMA Female Adapter

### RF Adapters Technical Data Sheet

PE91339

Precision N Male to SMA Female Adapter from Pasternack Enterprises has same day shipment for domestic and International orders. Our RF, microwave and millimeter wave products maintain a 99.4% availability and are part of the broadest selection in the industry.

Click the following link (or enter part number in "SEARCH" on website) to obtain additional part information including price, inventory and certifications: [Precision N Male to SMA Female Adapter PE91339](#)

URL: <https://www.pasternack.com/n-male-sma-female-straight-adapter-pe91339-p.aspx>

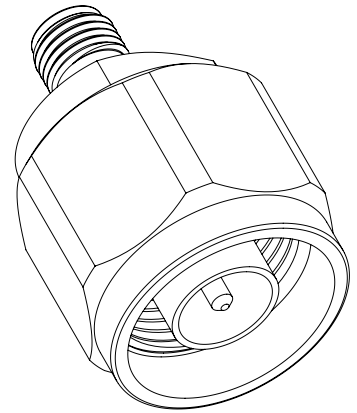
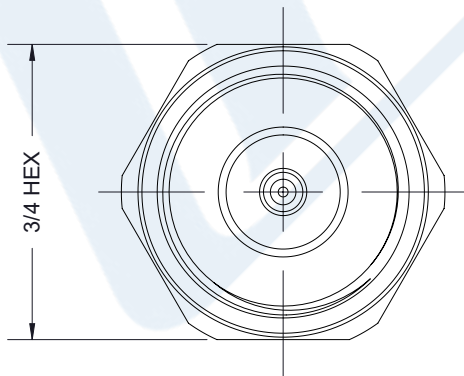
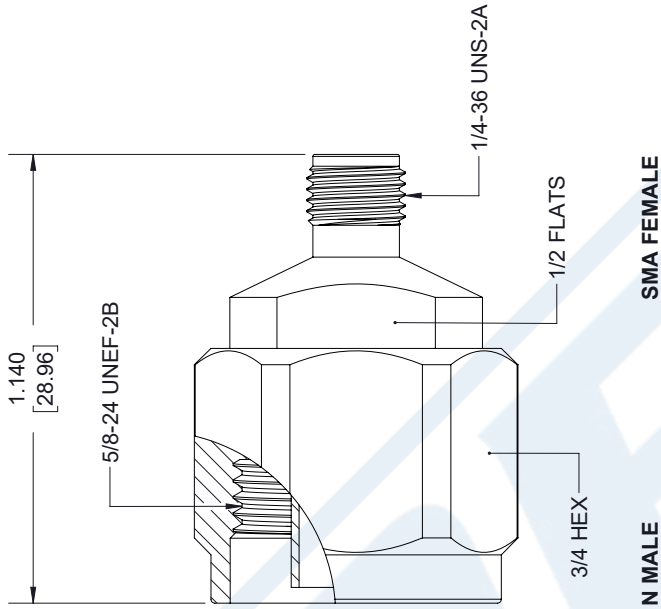
The information contained in this document is accurate to the best of our knowledge and representative of the part described herein. It may be necessary to make modifications to the part and/or the documentation of the part, in order to implement improvements. Pasternack reserves the right to make such changes as required. Unless otherwise stated, all specifications are nominal. Pasternack does not make any representation or warranty regarding the suitability of the part described herein for any particular purpose, and Pasternack does not assume any liability arising out of the use of any part or documentation.

# PE91339 CAD Drawing

## Precision N Male to SMA Female Adapter

REVISIONS

REV.	DESCRIPTION	DATE	APPROVED
A	INITIAL RELEASE	10/03/19	S. ELLIS



UNLESS OTHERWISE SPECIFIED  
 LEADING DIMENSIONS ARE INCHES  
 DIMENSIONS IN [ ] ARE MILLIMETERS

TOLERANCES:

X±.2 [5.08]	FRACTIONS ±.132	ANGLES ± 1°
.XX±.01 [.25]		
.XXX±.005 [.13]		

ALL DIMENSIONS SHOWN  
 ARE FOR REFERENCE ONLY.

THIRD-ANGLE PROJECTION

**PE PASTERNAK**  
 an INFINITO brand

Pasternack Enterprises, Inc.  
 P.O. Box 16759, Irvine, CA 92623.  
 Phone: 1,949,261,1920 | 1,866,727,8376  
 Fax: 1,949,261,7451  
 www.pasternack.com | e-mail: sales@pasternack.com

THE INFORMATION AND DESIGN IN THIS DOCUMENT IS THE PROPERTY OF PASTERNAK CORPORATION. ALL RIGHTS RESERVED.

SHEET 1	OF 1	SCALE N/A
CAGE CODE A 53919		REV A
DRAWN BY K.DANG		PART NUMBER PE91339

THESE COMMODITIES, TECHNOLOGY OR SOFTWARE WERE EXPORTED FROM THE UNITED STATES IN ACCORDANCE WITH THE EXPORT ADMINISTRATION REGULATIONS. DIVERSION CONTRARY TO U.S. LAW PROHIBITED.

## **X-ON Electronics**

Largest Supplier of Electrical and Electronic Components

*Click to view similar products for [Pasternack manufacturer](#):*

Other Similar products are found below :

[PE91190](#) [PE6234](#) [PE91134](#) [PE6TR003](#) [PE91612](#) [PE91141](#) [PE6227](#) [PE91211](#) [PE44472](#) [PE4075](#) [PE4472](#) [PE7AP006-03](#) [PE7029-20](#)  
[PE7000-10](#) [PE7390-6](#) [PE7000-30](#) [PE7092-30](#) [PE7424-30](#) [PE83CR1004](#) [PE9451](#) [PE9438](#) [PE9649](#) [PE9491](#) [PE9431](#) [PE9433](#) [PE7034-1](#)  
[PE6034](#) [PE2020](#) [PE9659](#) [PE83CR001](#) [PE9378](#) [PE9456](#) [PE9193](#) [PE8025](#) [PE9182](#) [PE9295](#) [PE9337](#) [PE9130](#) [PE7139](#) [PE8306](#) [PE7007](#)  
[PE8210](#) [PE9082](#) [PE9454](#) [PE9538](#) [PE8401](#) [PE8402](#) [PE9249](#) [PE83CR1019](#) [PE9264](#)