



## UHF Male to UHF Female Right Angle Adapter

### RF Adapters Technical Data Sheet

PE9209

#### Configuration

- UHF Male Connector 1
- UHF Female Connector 2
- 50 Ohm
- Right Angle Body Geometry

#### Features

- Max VSWR of 1.3:1 up to 300 MHz
- 30 µInch contact plating
- Gold Plated Brass Contact

#### Applications

- General Purpose Test

#### Description

Pasternack's PE9209 UHF male to UHF female right angle adapter is part of our full line of RF components available for same-day shipping. Our UHF to UHF adapter has a male to female gender configuration. PE9209 UHF male to UHF female adapter operates to 300 MHz. The Pasternack RF adapter provides good VSWR of 1.3:1 maximum. This right angle UHF to UHF adapter allows for easier connections in tight spaces.

RF adapters are often used to enable connections between two connector types that would otherwise not mate. Certain adapter configurations can also be used to protect connectors on expensive equipment where the number of connect/disconnect cycles is high. An RF, microwave or millimeter wave adapter is connected to the equipment, and the commonly changed connection is made with the adapter which can be easily replaced when it wears out after high usage; such adapters are referred to as connector savers. Pasternack also offers bulkhead, panel mount, hermetically sealed, reverse polarity, and isolated ground adapter varieties to serve all of your RF, microwave and millimeter wave needs.

#### Electrical Specifications

Description	Minimum	Typical	Maximum	Units
Frequency Range	DC		300	MHz
VSWR			1.3:1	
Operating Voltage (AC)			500	Vrms

#### Mechanical Specifications

##### Size

Length	1.26 in [32 mm]
Width	0.7 in [17.78 mm]
Height	1.29 in [32.77 mm]
Weight	0.121 lbs [54.88 g]

Click the following link (or enter part number in "SEARCH" on website) to obtain additional part information including price, inventory and certifications: [UHF Male to UHF Female Right Angle Adapter PE9209](#)



## UHF Male to UHF Female Right Angle Adapter

### RF Adapters Technical Data Sheet

PE9209

Description	Connector 1	Connector 2
Type	UHF Male	UHF Female
Polarity	Standard	Standard

#### Material Specifications

Description	Connector 1		Connector 2	
	Material	Plating	Material	Plating
Type	UHF Male		UHF Female	
Contact	Brass	Gold 30 µInch	Brass	Gold 30 µInch
Insulation	PTFE		PTFE	
Outer Conductor			Brass	Nickel 100 µInch
Body	Brass	Nickel 100 µInch		
Coupling Nut	Brass	Nickel 100 µInch		

#### Environmental Specifications

##### Temperature

Operating Range -55 to +85 °C

**Compliance Certifications** (see [product page](#) for current document)

#### Plotted and Other Data

Notes:

Click the following link (or enter part number in "SEARCH" on website) to obtain additional part information including price, inventory and certifications: [UHF Male to UHF Female Right Angle Adapter PE9209](#)



## UHF Male to UHF Female Right Angle Adapter

### RF Adapters Technical Data Sheet

PE9209

UHF Male to UHF Female Right Angle Adapter from Pasternack Enterprises has same day shipment for domestic and International orders. Our RF, microwave and millimeter wave products maintain a 99.4% availability and are part of the broadest selection in the industry.

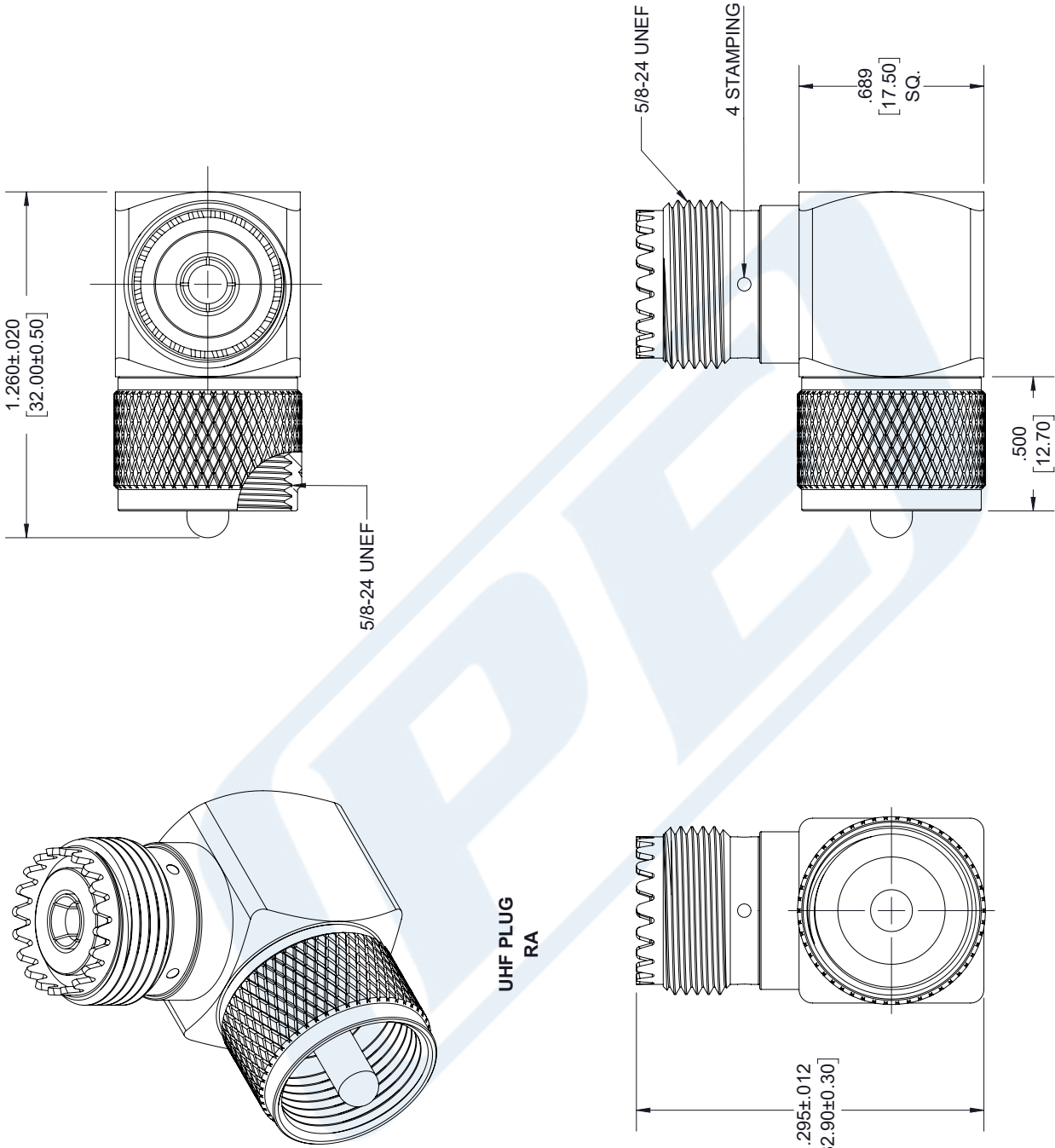
Click the following link (or enter part number in "SEARCH" on website) to obtain additional part information including price, inventory and certifications: [UHF Male to UHF Female Right Angle Adapter PE9209](#)

URL: <https://www.pasternack.com/uhf-male-uhf-female-right-angle-adapter-pe9209-p.aspx>

The information contained in this document is accurate to the best of our knowledge and representative of the part described herein. It may be necessary to make modifications to the part and/or the documentation of the part, in order to implement improvements. Pasternack reserves the right to make such changes as required. Unless otherwise stated, all specifications are nominal. Pasternack does not make any representation or warranty regarding the suitability of the part described herein for any particular purpose, and Pasternack does not assume any liability arising out of the use of any part or documentation.

# PE9209 CAD Drawing

## UHF Male to UHF Female Right Angle Adapter



STANDARD TOLERANCES	
.X	±0.2
.XX	±0.01
.XXX	±0.005

\*STANDARD TOLERANCES APPLY ONLY TO DIMENSIONS IN INCHES



Pasternack Enterprises, Inc.  
 P.O. Box 16759 | Irvine | CA | 92623  
**Phone:** (949) 261-1920 | **Fax:** (949) 261-7451  
**Website:** [www.pasternack.com](http://www.pasternack.com) | **E-Mail:** [sales@pasternack.com](mailto:sales@pasternack.com)

DWG TITLE  
**PE9209**

NOTES:  
 1. UNLESS OTHERWISE SPECIFIED ALL DIMENSIONS ARE NOMINAL.  
 2. ALL SPECIFICATIONS ARE SUBJECT TO CHANGE WITHOUT NOTICE AT ANY TIME.  
 3. DIMENSIONS ARE IN INCHES [mm].

CAD FILE	10/26/18	SCALE	N/A	SIZE	A	7361
----------	----------	-------	-----	------	---	------

**CAGE CODE 53919**

## X-ON Electronics

Largest Supplier of Electrical and Electronic Components

*Click to view similar products for [Circuit Breakers](#) category:*

*Click to view products by [Pasternack](#) manufacturer:*

Other Similar products are found below :

[LUGZX66-1-61-20.0-44](#) [M39019/01-201](#) [M39019/01-221](#) [M39019/04-249S](#) [M39019/04-313S](#) [M55629/1-016](#) [M55629/1-018](#) [M55629/1-021](#)  
[M55629/1-033](#) [M55629/1-046](#) [M55629/1-048](#) [M55629/1-058](#) [M55629/1-067](#) [M55629/1-070](#) [M55629/1-079](#) [M55629/1-084](#) [M55629/1-085](#)  
[M55629/1-109](#) [M55629/11-102](#) [M55629/12-045](#) [M55629/12-046](#) [M55629/1-330](#) [M55629/1-366](#) [M55629/1-387](#) [M55629/1-401](#) [M55629/2-](#)  
[022](#) [M55629/2-030](#) [M55629/2-072](#) [M55629/2-082](#) [M55629/2-099](#) [M55629/2-101](#) [M55629/2-102](#) [M55629/21-BM-BM](#) [M55629/21-HM-HM](#)  
[M55629/21-NS-NS](#) [M55629/22-NR-NR-NR](#) [M55629/22-RS-RS-RS](#) [M55629/2-347](#) [M55629/2-401](#) [M55629/2-413](#) [M55629/3-030](#)  
[M55629/3-050](#) [M55629/3-102](#) [M55629/3-103](#) [M55629/3-128](#) [M55629/3-130](#) [M55629/3-238](#) [M55629/3-386](#) [M55629/3-LBZB](#) [M55629/4-](#)  
[115](#)