



N Female to LC Male Adapter

RF Adapters Technical Data Sheet

PE9237

Configuration

- N Female Connector 1
- LC Male Connector 2
- 50 Ohms
- Straight Body Geometry

Features

- N Interface compliant with MIL-STD-348
- LC Interface compliant with MIL-STD-348
- Silver Plated Beryllium Copper Contact
- 200 µin min Silver Contact Plating

Applications

- Allows Connection Between Series
- General Purpose Test

Description

Pasternack's PE9237 type N female to LC male adapter is part of our full line of RF components available for same-day shipping. Our type N to LC adapter has a female to male gender configuration. PE9237 type N female to LC male adapter operates to 1,000 MHz.

RF adapters are often used to enable connections between two connector types that would otherwise not mate. Certain adapter configurations can also be used to protect connectors on expensive equipment where the number of connect/disconnect cycles is high. An RF, microwave or millimeter wave adapter is connected to the equipment, and the commonly changed connection is made with the adapter which can be easily replaced when it wears out after high usage; such adapters are referred to as connector savers. Pasternack also offers bulkhead, panel mount, hermetically sealed, reverse polarity, and isolated ground adapter varieties to serve all of your RF, microwave and millimeter wave needs.

Electrical Specifications

Description	Minimum	Typical	Maximum	Units
Frequency Range	DC		1,000	MHz
Operating Voltage (AC)			1,000	Vrms
Dielectric Withstanding Voltage (AC)			2,500	Vrms

Electrical Specification Notes:
Values at 25°C, sea level.

Mechanical Specifications

Size	
Length	2.82 in [71.63 mm]
Width	1.625 in [41.28 mm]
Weight	0.488 lbs [221.35 g]

Click the following link (or enter part number in "SEARCH" on website) to obtain additional part information including price, inventory and certifications: [N Female to LC Male Adapter PE9237](#)



N Female to LC Male Adapter

RF Adapters Technical Data Sheet

PE9237

Description	Connector 1	Connector 2
Type	N Female	LC Male
Polarity	Standard	Standard
Interface Specification	MIL-STD-348	MIL-STD-348
Mating Torque	6 to 10 in-lbs [0.68 to 1.13 Nm]	

Material Specifications

Description	Connector 1		Connector 2	
	Material	Plating	Material	Plating
Type	N Female		LC Male	
Contact	Beryllium Copper	Silver 200 µin minimum	Beryllium Copper	Silver 200 µin minimum
Insulation	PTFE		PTFE	
Outer Conductor	Brass	Nickel 150 µin minimum		
Body			Brass	Nickel 150 µin minimum
Coupling Nut			Brass	Nickel 150 µin minimum

Environmental Specifications

Temperature

Operating Range -65 to +165 deg C

Compliance Certifications (see [product page](#) for current document)

Plotted and Other Data

Notes:

Click the following link (or enter part number in "SEARCH" on website) to obtain additional part information including price, inventory and certifications: [N Female to LC Male Adapter PE9237](#)



N Female to LC Male Adapter

RF Adapters Technical Data Sheet

PE9237

N Female to LC Male Adapter from Pasternack Enterprises has same day shipment for domestic and International orders. Our RF, microwave and millimeter wave products maintain a 99% availability and are part of the broadest selection in the industry.

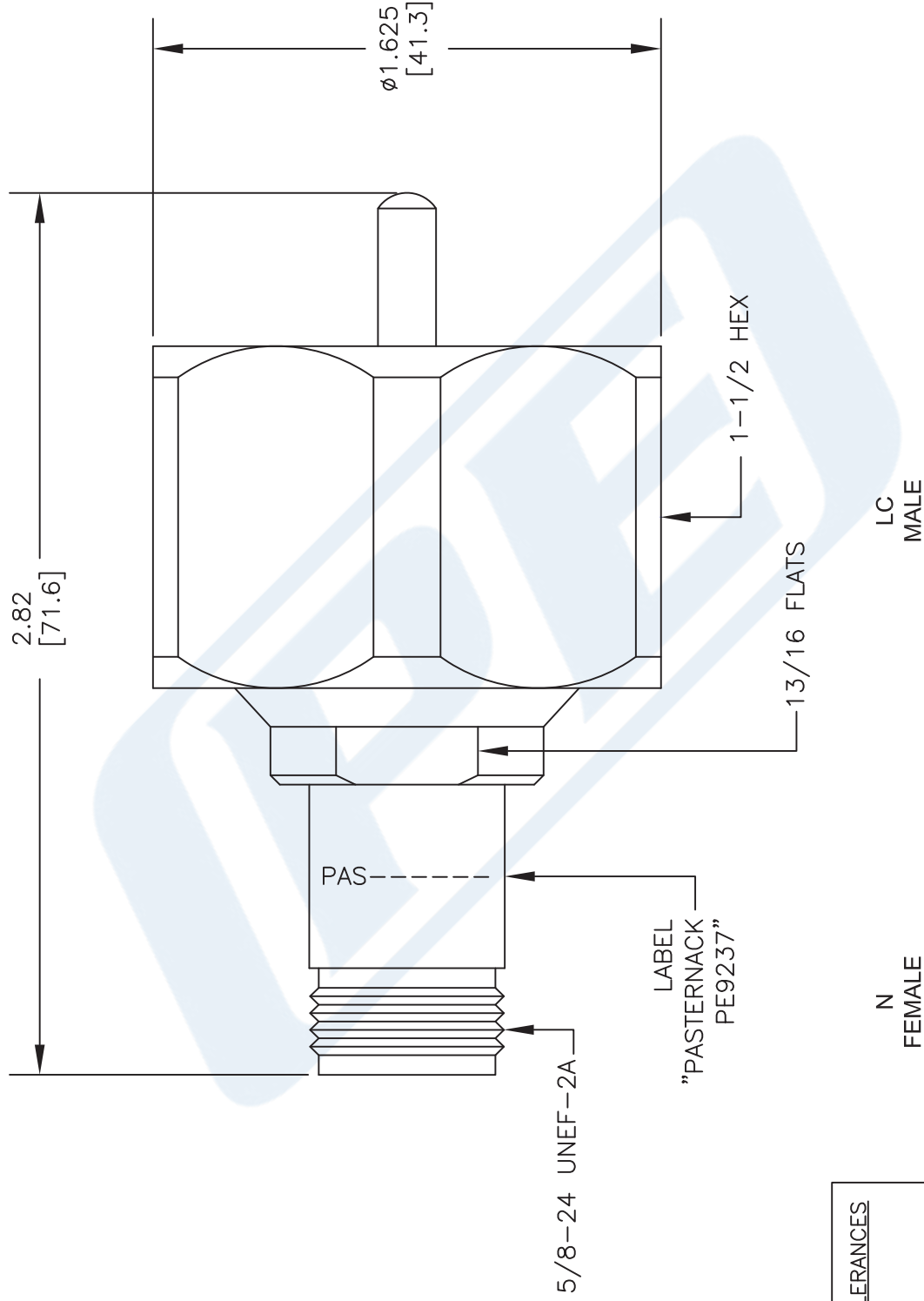
Click the following link (or enter part number in "SEARCH" on website) to obtain additional part information including price, inventory and certifications: [N Female to LC Male Adapter PE9237](https://www.pasternack.com/n-female-lc-male-straight-adapter-pe9237-p.aspx)

URL: <https://www.pasternack.com/n-female-lc-male-straight-adapter-pe9237-p.aspx>

The information contained in this document is accurate to the best of our knowledge and representative of the part described herein. It may be necessary to make modifications to the part and/or the documentation of the part, in order to implement improvements. Pasternack reserves the right to make such changes as required. Unless otherwise stated, all specifications are nominal. Pasternack does not make any representation or warranty regarding the suitability of the part described herein for any particular purpose, and Pasternack does not assume any liability arising out of the use of any part or documentation.

PE9237 CAD Drawing

N Female to LC Male Adapter



STANDARD TOLERANCES	
.X	±0.2
.XX	±0.1
.XXX	±0.05

*STANDARD TOLERANCES APPLY ONLY TO DIMENSIONS IN INCHES

NOTES:
 1. UNLESS OTHERWISE SPECIFIED ALL DIMENSIONS ARE NOMINAL.
 2. ALL SPECIFICATIONS ARE SUBJECT TO CHANGE WITHOUT NOTICE AT ANY TIME.
 3. DIMENSIONS ARE IN INCHES [mm].

DWG TITLE
PE9237

FSCM NO. 53919

CAD FILE 083116

SCALE N/A

SIZE A 41742

PE PASTERNAK®
 THE ENGINEER'S RF SOURCE

Pasternack Enterprises, Inc.
 P.O. Box 16759 | Irvine | CA | 92623

Phone: (949) 261-1920 | Fax: (949) 261-7451
 Website: www.pasternack.com | E-Mail: sales@pasternack.com

X-ON Electronics

Largest Supplier of Electrical and Electronic Components

Click to view similar products for [Circuit Breakers](#) category:

Click to view products by [Pasternack](#) manufacturer:

Other Similar products are found below :

[LUGZX66-1-61-20.0-44](#) [M39019/01-201](#) [M39019/01-221](#) [M39019/04-249S](#) [M39019/04-313S](#) [M55629/1-016](#) [M55629/1-018](#) [M55629/1-021](#)
[M55629/1-033](#) [M55629/1-046](#) [M55629/1-048](#) [M55629/1-058](#) [M55629/1-067](#) [M55629/1-070](#) [M55629/1-079](#) [M55629/1-084](#) [M55629/1-085](#)
[M55629/1-109](#) [M55629/11-102](#) [M55629/12-045](#) [M55629/12-046](#) [M55629/1-330](#) [M55629/1-366](#) [M55629/1-387](#) [M55629/1-401](#) [M55629/2-](#)
[022](#) [M55629/2-030](#) [M55629/2-072](#) [M55629/2-082](#) [M55629/2-099](#) [M55629/2-101](#) [M55629/2-102](#) [M55629/21-BM-BM](#) [M55629/21-HM-HM](#)
[M55629/21-NS-NS](#) [M55629/22-NR-NR-NR](#) [M55629/22-RS-RS-RS](#) [M55629/2-347](#) [M55629/2-401](#) [M55629/2-413](#) [M55629/3-030](#)
[M55629/3-050](#) [M55629/3-102](#) [M55629/3-103](#) [M55629/3-128](#) [M55629/3-130](#) [M55629/3-238](#) [M55629/3-386](#) [M55629/3-LBZB](#) [M55629/4-](#)
[115](#)