



Hermetically Sealed SHV Jack to SHV Jack Bulkhead Mount Adapter

RF Adapters Technical Data Sheet

PE9336

Configuration

- SHV Jack Connector 1
- SHV Jack Connector 2
- 50 Ohm
- Straight Body Geometry
- Bulkhead Mount Method

Features

- Hermetically Sealed
- SHV interface compliant with MIL-STD-348
- Contact plating according to QQ-S-365
- Hermetically Sealed
- SHV Interface compliant with MIL-STD-348
- Silver Plated Contact
- Contact Plating per QQ-S-365

Applications

- General Purpose Test
- Vacuum Test Environment
- Rack Mounted Equipment
- General Purpose Test
- Vacuum Test Environment
- Rack Mounted Equipment

Description

Pasternack's PE9336 hermetically sealed SHV jack to SHV jack bulkhead adapter is part of our full line of RF components available for same-day shipping. Our SHV to SHV adapter has a jack to jack gender configuration. PE9336 SHV jack to SHV jack adapter operates to 300 MHz. This RF SHV to SHV bulkhead adapter allows designers to create external connections on their product enclosures, and can be used in a variety of other rack mount and panel mount applications. This hermetic SHV to SHV adapter prevents the leakage of gases, making it suitable for high pressure or vacuum applications or whenever an airtight seal is required.

RF adapters are often used to enable connections between two connector types that would otherwise not mate. Certain adapter configurations can also be used to protect connectors on expensive equipment where the number of connect/disconnect cycles is high. An RF, microwave or millimeter wave adapter is connected to the equipment, and the commonly changed connection is made with the adapter which can be easily replaced when it wears out after high usage; such adapters are referred to as connector savers. Pasternack also offers bulkhead, panel mount, hermetically sealed, reverse polarity, and isolated ground adapter varieties to serve all of your RF, microwave and millimeter wave needs.

Electrical Specifications

| Description | Minimum | Typical | Maximum | Units |
|------------------------|---------|---------|---------|-------|
| Frequency Range | DC | | 300 | MHz |
| Operating Voltage (AC) | | | 3,500 | Vrms |
| Operating Voltage (DC) | | | 5,000 | Vdc |

Mechanical Specifications

Size

| | |
|--------|----------------------|
| Length | 2.25 in [57.15 mm] |
| Width | 0.688 in [17.48 mm] |
| Weight | 0.0699 lbs [31.71 g] |

Click the following link (or enter part number in "SEARCH" on website) to obtain additional part information including price, inventory and certifications: [Hermetically Sealed SHV Jack to SHV Jack Bulkhead Mount Adapter PE9336](#)



Hermetically Sealed SHV Jack to SHV
Jack Bulkhead Mount Adapter

RF Adapters Technical Data Sheet

PE9336

| Description | Connector 1 | Connector 2 |
|-------------------------|---------------------|---------------------|
| Type | SHV Jack | SHV Jack |
| Polarity | Standard | Standard |
| Interface Specification | MIL-STD-348 | MIL-STD-348 |
| Connector Option | Hermetically Sealed | Hermetically Sealed |

Material Specifications

| Description | Connector 1 | | Connector 2 | |
|-----------------|-------------|--------------------|-------------|--------------------|
| | Material | Plating | Material | Plating |
| Type | SHV Jack | | SHV Jack | |
| Contact | | Silver QQ-S-365 | | Silver QQ-S-365 |
| Insulation | PTFE | | PTFE | |
| Outer Conductor | Brass | Nickel QQ-N-290 | Brass | Nickel QQ-N-290 |

Environmental Specifications

Temperature

Operating Range -65 to +165 °C

Hermetic Seal

Leak rate not to exceed 1x10⁻⁷ cc/sec of helium at 1 atm differential.

Compliance Certifications (see [product page](#) for current document)

Plotted and Other Data

Notes:

Click the following link (or enter part number in "SEARCH" on website) to obtain additional part information including price, inventory and certifications: [Hermetically Sealed SHV Jack to SHV Jack Bulkhead Mount Adapter PE9336](#)



Hermetically Sealed SHV Jack to SHV Jack Bulkhead Mount Adapter

RF Adapters Technical Data Sheet

PE9336

Hermetically Sealed SHV Jack to SHV Jack Bulkhead Mount Adapter from Pasternack Enterprises has same day shipment for domestic and International orders. Our RF, microwave and millimeter wave products maintain a 99.4% availability and are part of the broadest selection in the industry.

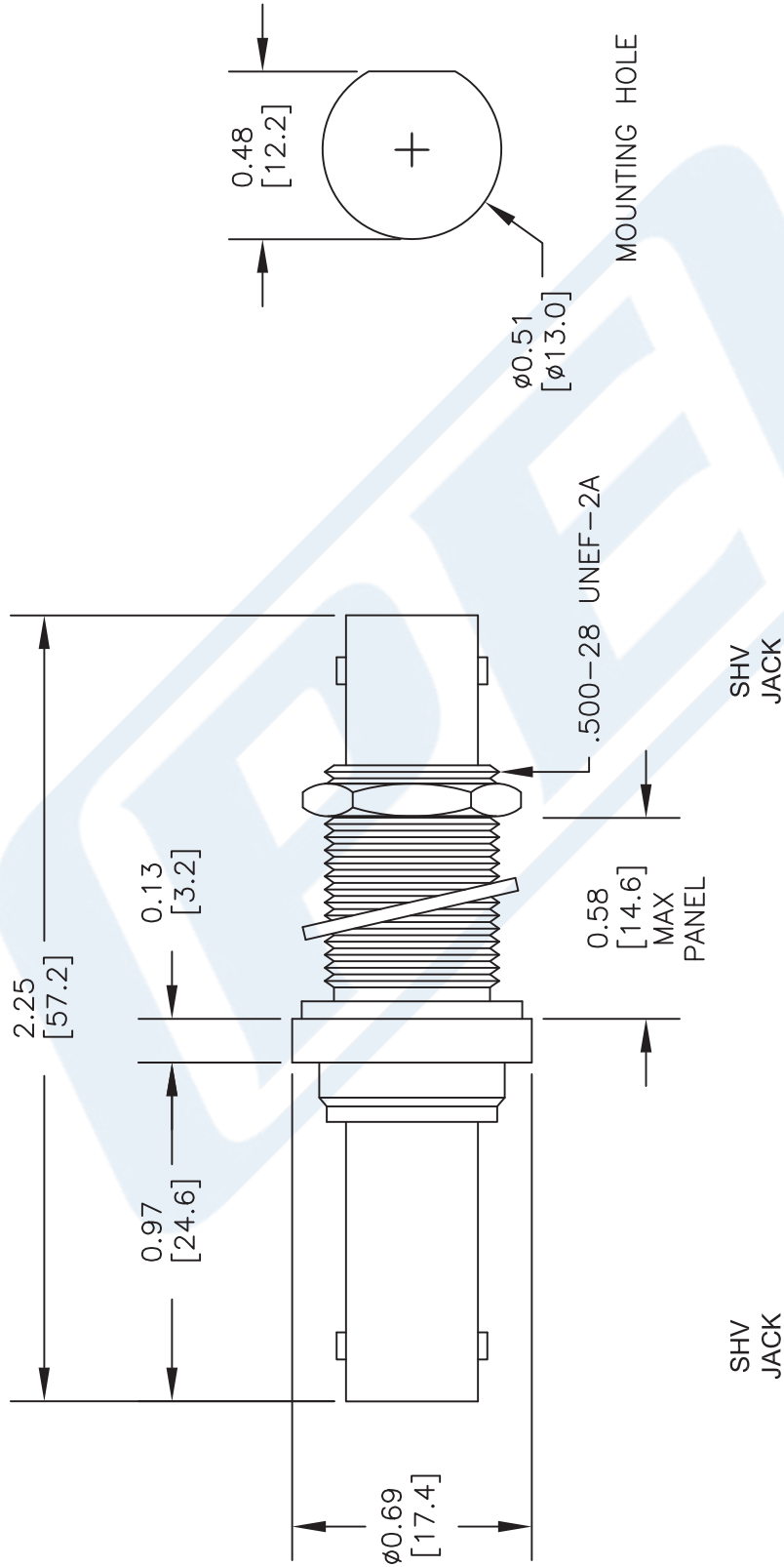
Click the following link (or enter part number in "SEARCH" on website) to obtain additional part information including price, inventory and certifications: [Hermetically Sealed SHV Jack to SHV Jack Bulkhead Mount Adapter PE9336](https://www.pasternack.com/shv-jack-shv-jack-straight-adapter-pe9336-p.aspx)

URL: <https://www.pasternack.com/shv-jack-shv-jack-straight-adapter-pe9336-p.aspx>

The information contained in this document is accurate to the best of our knowledge and representative of the part described herein. It may be necessary to make modifications to the part and/or the documentation of the part, in order to implement improvements. Pasternack reserves the right to make such changes as required. Unless otherwise stated, all specifications are nominal. Pasternack does not make any representation or warranty regarding the suitability of the part described herein for any particular purpose, and Pasternack does not assume any liability arising out of the use of any part or documentation.

PE9336 CAD Drawing

Hermetically Sealed SHV Jack to SHV Jack Bulkhead Mount Adapter



| STANDARD TOLERANCES | |
|---------------------|------------|
| .X | ± 0.2 |
| .XX | ± 0.1 |
| .XXX | ± 0.05 |

*STANDARD TOLERANCES APPLY ONLY TO DIMENSIONS IN INCHES

| | |
|--|------------------------|
| <p>NOTES:</p> <ol style="list-style-type: none"> UNLESS OTHERWISE SPECIFIED ALL DIMENSIONS ARE NOMINAL. ALL SPECIFICATIONS ARE SUBJECT TO CHANGE WITHOUT NOTICE AT ANY TIME. DIMENSIONS ARE IN INCHES [mm]. | |
| <p>DWG TITLE</p> <h2>PE9336</h2> | |
| <p>FSCM NO. 53919</p> | <p>CAD FILE 110116</p> |
| <p>SCALE N/A</p> | <p>SIZE A</p> |
| <p>41742</p> | |

PE PASTERNAK
 THE ENGINEER'S RF SOURCE
 Pasternack Enterprises, Inc.
 P.O. Box 16759 | Irvine | CA | 92623
 Phone: (949) 261-1920 | Fax: (949) 261-7451
 Website: www.pasternack.com | E-Mail: sales@pasternack.com

X-ON Electronics

Largest Supplier of Electrical and Electronic Components

Click to view similar products for [Circuit Breakers](#) category:

Click to view products by [Pasternack](#) manufacturer:

Other Similar products are found below :

[LUGZX66-1-61-20.0-44](#) [M39019/01-201](#) [M39019/01-221](#) [M39019/04-249S](#) [M39019/04-313S](#) [M55629/1-016](#) [M55629/1-018](#) [M55629/1-021](#)
[M55629/1-033](#) [M55629/1-046](#) [M55629/1-048](#) [M55629/1-058](#) [M55629/1-067](#) [M55629/1-070](#) [M55629/1-079](#) [M55629/1-084](#) [M55629/1-085](#)
[M55629/1-109](#) [M55629/11-102](#) [M55629/12-045](#) [M55629/12-046](#) [M55629/1-330](#) [M55629/1-366](#) [M55629/1-387](#) [M55629/1-401](#) [M55629/2-](#)
[022](#) [M55629/2-030](#) [M55629/2-072](#) [M55629/2-082](#) [M55629/2-099](#) [M55629/2-101](#) [M55629/2-102](#) [M55629/21-BM-BM](#) [M55629/21-HM-HM](#)
[M55629/21-NS-NS](#) [M55629/22-NR-NR-NR](#) [M55629/22-RS-RS-RS](#) [M55629/2-347](#) [M55629/2-401](#) [M55629/2-413](#) [M55629/3-030](#)
[M55629/3-050](#) [M55629/3-102](#) [M55629/3-103](#) [M55629/3-128](#) [M55629/3-130](#) [M55629/3-238](#) [M55629/3-386](#) [M55629/3-LBZB](#) [M55629/4-](#)
[115](#)