



## 2.4mm Male to 2.4mm Male Adapter

### RF Adapters Technical Data Sheet

PE9451

#### Configuration

- 2.4mm Male Connector 1
- 2.4mm Male Connector 2
- 50 Ohms
- Straight Body Geometry

#### Features

- Max VSWR of 1.3:1 up to 50 GHz
- Gold Plated Beryllium Copper Contact

#### Applications

- General Purpose Test

#### Description

Pasternack's PE9451 2.4mm male to 2.4mm male adapter is part of our full line of RF components available for same-day shipping. The 2.4mm connector mates mechanically with commercially available 1.85mm (V) connectors. Our 2.4mm to 2.4mm adapter has a male to male gender configuration. PE9451 2.4mm male to 2.4mm male adapter operates to 50 GHz. The Pasternack RF adapter provides good VSWR of 1.3:1 maximum.

RF adapters are often used to enable connections between two connector types that would otherwise not mate. Certain adapter configurations can also be used to protect connectors on expensive equipment where the number of connect/disconnect cycles is high. An RF, microwave or millimeter wave adapter is connected to the equipment, and the commonly changed connection is made with the adapter which can be easily replaced when it wears out after high usage; such adapters are referred to as connector savers. Pasternack also offers bulkhead, panel mount, hermetically sealed, reverse polarity, and isolated ground adapter varieties to serve all of your RF, microwave and millimeter wave needs.

#### Electrical Specifications

Description	Minimum	Typical	Maximum	Units
Frequency Range	DC		50	GHz
VSWR			1.3:1	

#### Performance by Frequency

Description	F1	F2	F3	F4	F5	Units
Frequency Range	DC to 18	18 to 26.5	26.5 to 50			GHz
VSWR, Max	1.1:1	1.2:1	1.3:1			

Electrical Specification Notes:  
 Values at 25° sea level.

#### Mechanical Specifications

##### Size

Length 0.83 in [21.08 mm]

Click the following link (or enter part number in "SEARCH" on website) to obtain additional part information including price, inventory and certifications: [2.4mm Male to 2.4mm Male Adapter PE9451](#)



2.4mm Male to 2.4mm Male Adapter

RF Adapters Technical Data Sheet

PE9451

Width 0.312 in [7.92 mm]  
Weight 0.017 lbs [7.71 g]

Description	Connector 1	Connector 2
Type	2.4mm Male	2.4mm Male
Polarity	Standard	Standard
Hex Size	5/16 inch	5/16 inch

**Material Specifications**

Description	Connector 1		Connector 2	
	Material	Plating	Material	Plating
Type	2.4mm Male		2.4mm Male	
Contact	Beryllium Copper	Gold	Beryllium Copper	Gold
Outer Conductor	Passivated Stainless Steel		Passivated Stainless Steel	

**Environmental Specifications**

**Temperature**

Operating Range -65 to +125 deg C

**Compliance Certifications** (see [product page](#) for current document)

**Plotted and Other Data**

Notes:

Click the following link (or enter part number in "SEARCH" on website) to obtain additional part information including price, inventory and certifications: [2.4mm Male to 2.4mm Male Adapter PE9451](#)

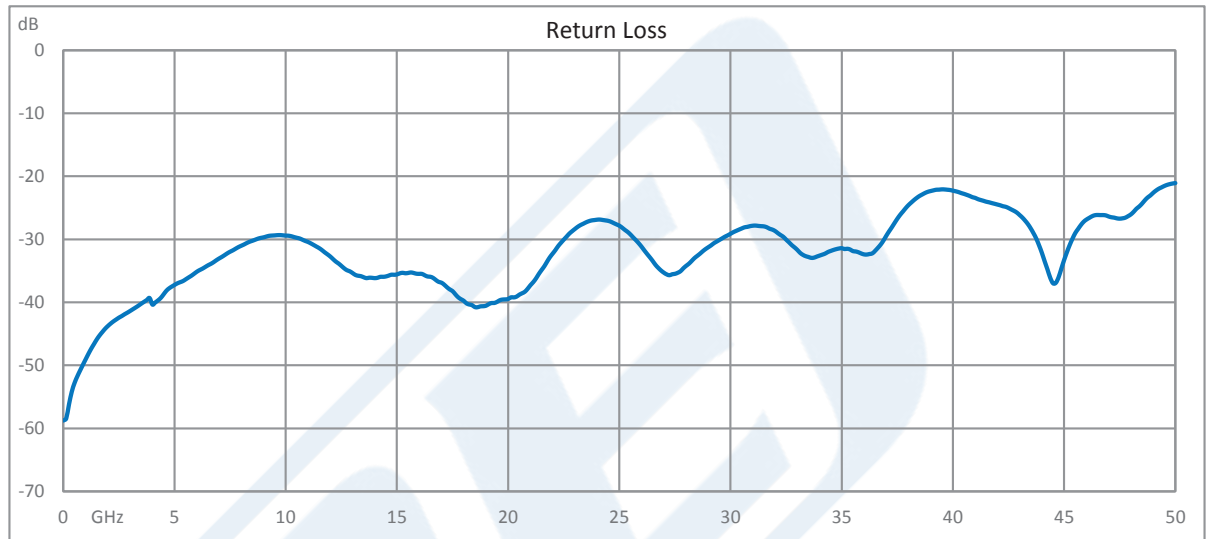


## 2.4mm Male to 2.4mm Male Adapter

### RF Adapters Technical Data Sheet

PE9451

#### Typical Performance Data



2.4mm Male to 2.4mm Male Adapter from Pasternack Enterprises has same day shipment for domestic and International orders. Our RF, microwave and millimeter wave products maintain a 99% availability and are part of the broadest selection in the industry.

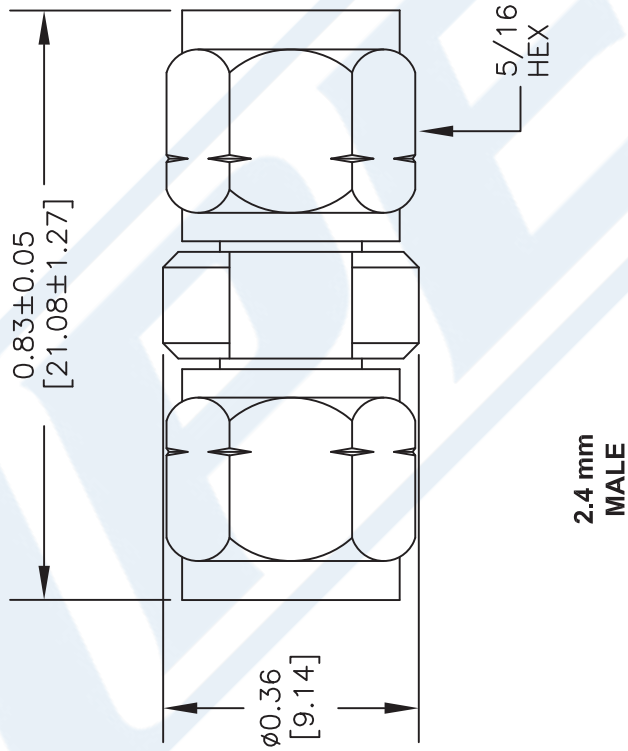
Click the following link (or enter part number in "SEARCH" on website) to obtain additional part information including price, inventory and certifications: [2.4mm Male to 2.4mm Male Adapter PE9451](#)

URL: <https://www.pasternack.com/2.4mm-male-2.4mm-male-straight-adapter-pe9451-p.aspx>

The information contained in this document is accurate to the best of our knowledge and representative of the part described herein. It may be necessary to make modifications to the part and/or the documentation of the part, in order to implement improvements. Pasternack reserves the right to make such changes as required. Unless otherwise stated, all specifications are nominal. Pasternack does not make any representation or warranty regarding the suitability of the part described herein for any particular purpose, and Pasternack does not assume any liability arising out of the use of any part or documentation.

# PE9451 CAD Drawing

## 2.4mm Male to 2.4mm Male Adapter



NOTES:  
 1. UNLESS OTHERWISE SPECIFIED ALL DIMENSIONS ARE NOMINAL.  
 2. ALL SPECIFICATIONS ARE SUBJECT TO CHANGE WITHOUT NOTICE AT ANY TIME.  
 3. DIMENSIONS ARE IN INCHES (mm).

DWG TITLE	<b>PE9451</b>		
FSCM NO.	53919	CAD FILE	011316
SCALE	N/A	SIZE	A
			150

**PE PASTERNAK**  
 THE ENGINEER'S RF SOURCE  
 Pasternack Enterprises, Inc.  
 P.O. Box 16759 | Irvine | CA | 92623  
 Phone: (949) 261-1920 | Fax: (949) 261-7451  
 Website: www.pasternack.com | E-Mail: sales@pasternack.com

## X-ON Electronics

Largest Supplier of Electrical and Electronic Components

*Click to view similar products for [Circuit Breakers](#) category:*

*Click to view products by [Pasternack](#) manufacturer:*

Other Similar products are found below :

[LUGZX66-1-61-20.0-44](#) [M39019/01-201](#) [M39019/01-221](#) [M39019/04-249S](#) [M39019/04-313S](#) [M55629/1-016](#) [M55629/1-018](#) [M55629/1-021](#)  
[M55629/1-033](#) [M55629/1-046](#) [M55629/1-048](#) [M55629/1-058](#) [M55629/1-067](#) [M55629/1-070](#) [M55629/1-079](#) [M55629/1-084](#) [M55629/1-085](#)  
[M55629/1-109](#) [M55629/11-102](#) [M55629/12-045](#) [M55629/12-046](#) [M55629/1-330](#) [M55629/1-366](#) [M55629/1-387](#) [M55629/1-401](#) [M55629/2-](#)  
[022](#) [M55629/2-030](#) [M55629/2-072](#) [M55629/2-082](#) [M55629/2-099](#) [M55629/2-101](#) [M55629/2-102](#) [M55629/21-BM-BM](#) [M55629/21-HM-HM](#)  
[M55629/21-NS-NS](#) [M55629/22-NR-NR-NR](#) [M55629/22-RS-RS-RS](#) [M55629/2-347](#) [M55629/2-401](#) [M55629/2-413](#) [M55629/3-030](#)  
[M55629/3-050](#) [M55629/3-102](#) [M55629/3-103](#) [M55629/3-128](#) [M55629/3-130](#) [M55629/3-238](#) [M55629/3-386](#) [M55629/3-LBZB](#) [M55629/4-](#)  
[115](#)