



## 3.5mm Female to 3.5mm Female Bulkhead Mount Adapter

### RF Adapters Technical Data Sheet

**PE9678**

#### Configuration

- 3.5mm Female Connector 1
- 3.5mm Female Connector 2
- 50 Ohm
- Straight Body Geometry
- Bulkhead Mount Method

#### Features

- Max VSWR of 1.25:1 up to 34.5 GHz
- Contact plating according to MIL-G-45204
- Gold over Nickel Plated Beryllium Copper Contact
- Max VSWR of 1.25:1 up to 34.5 GHz
- Gold over Nickel Plated Beryllium Copper Contact
- Contact Plating per MIL-G-45204

#### Applications

- General Purpose Test
- Rack Mounted Equipment
- General Purpose Test
- Rack Mounted Equipment

#### Description

Pasternack's PE9678 3.5mm female to 3.5mm female bulkhead adapter is part of our full line of RF components available for same-day shipping. The 3.5mm connector mates mechanically with commercially available SMA and 2.92mm (K) connectors. Our 3.5mm to 3.5mm adapter has a female to female gender configuration. PE9678 3.5mm female to 3.5mm female adapter operates to 34.5 GHz. The Pasternack RF adapter provides excellent VSWR of 1.25:1 maximum. This RF 3.5mm to 3.5mm bulkhead adapter allows designers to create external connections on their product enclosures, and can be used in a variety of other rack mount and panel mount applications.

RF adapters are often used to enable connections between two connector types that would otherwise not mate. Certain adapter configurations can also be used to protect connectors on expensive equipment where the number of connect/disconnect cycles is high. An RF, microwave or millimeter wave adapter is connected to the equipment, and the commonly changed connection is made with the adapter which can be easily replaced when it wears out after high usage; such adapters are referred to as connector savers. Pasternack also offers bulkhead, panel mount, hermetically sealed, reverse polarity, and isolated ground adapter varieties to serve all of your RF, microwave and millimeter wave needs.

#### Electrical Specifications

Description	Minimum	Typical	Maximum	Units
Frequency Range	DC		34.5	GHz
VSWR			1.25:1	
Insertion Loss			0.3	dB

Electrical Specification Notes:  
 Values at 25°C, sea level.  
 Insertion Loss (dB) =  $0.05 \cdot \sqrt{f(\text{GHz})}$ .

#### Mechanical Specifications

**Size**  
 Length 0.92 in [23.37 mm]

Click the following link (or enter part number in "SEARCH" on website) to obtain additional part information including price, inventory and certifications: [3.5mm Female to 3.5mm Female Bulkhead Mount Adapter PE9678](#)



## 3.5mm Female to 3.5mm Female Bulkhead Mount Adapter

### RF Adapters Technical Data Sheet

**PE9678**

Width	0.5 in [12.7 mm]
Weight	0.0175 lbs [7.94 g]

Description	Connector 1	Connector 2
Type	3.5mm Female	3.5mm Female
Polarity	Standard	Standard
Mating Cycles	500	500

#### Material Specifications

Description	Connector 1		Connector 2	
	Material	Plating	Material	Plating
Type	3.5mm Female		3.5mm Female	
Contact	Beryllium Copper	Gold over Nickel MIL-G-45204	Beryllium Copper	Gold over Nickel MIL-G-45204
Insulation	Rexolite		Rexolite	
Outer Conductor	Passivated Stainless Steel	ASTM A380	Passivated Stainless Steel	ASTM A380

#### Environmental Specifications

##### Temperature

Operating Range -55 to +100 °C

Vibration  
Salt Spray

MIL-STD-202, Method 204, Cond. D (20G's)  
MIL-STD-202, Method 101, Cond. B, 5% salt solution

**Compliance Certifications** (see [product page](#) for current document)

#### Plotted and Other Data

Notes:

Click the following link (or enter part number in "SEARCH" on website) to obtain additional part information including price, inventory and certifications: [3.5mm Female to 3.5mm Female Bulkhead Mount Adapter PE9678](#)

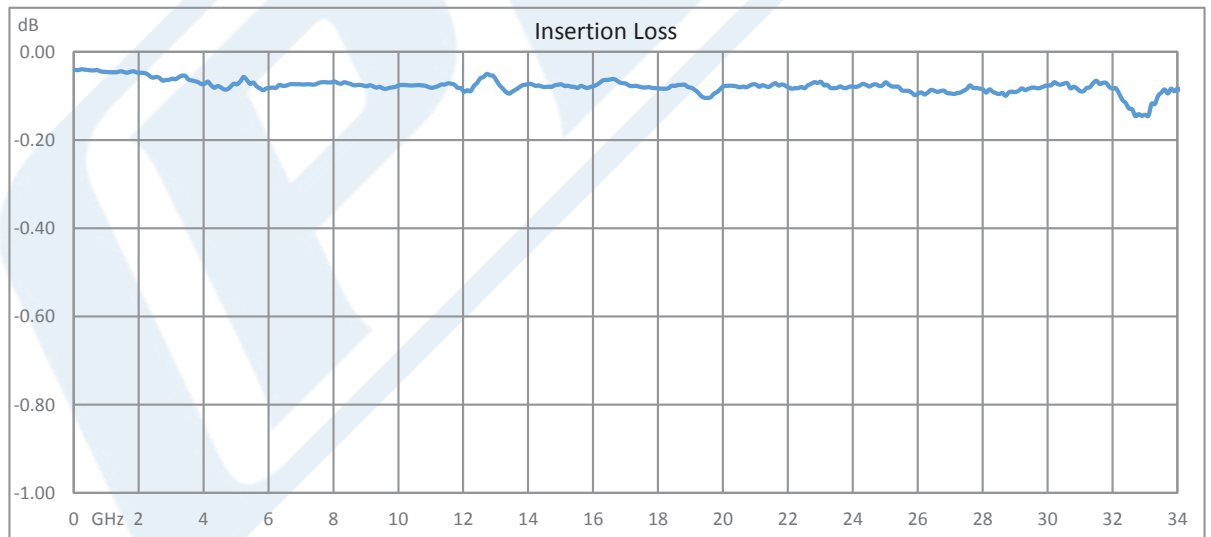
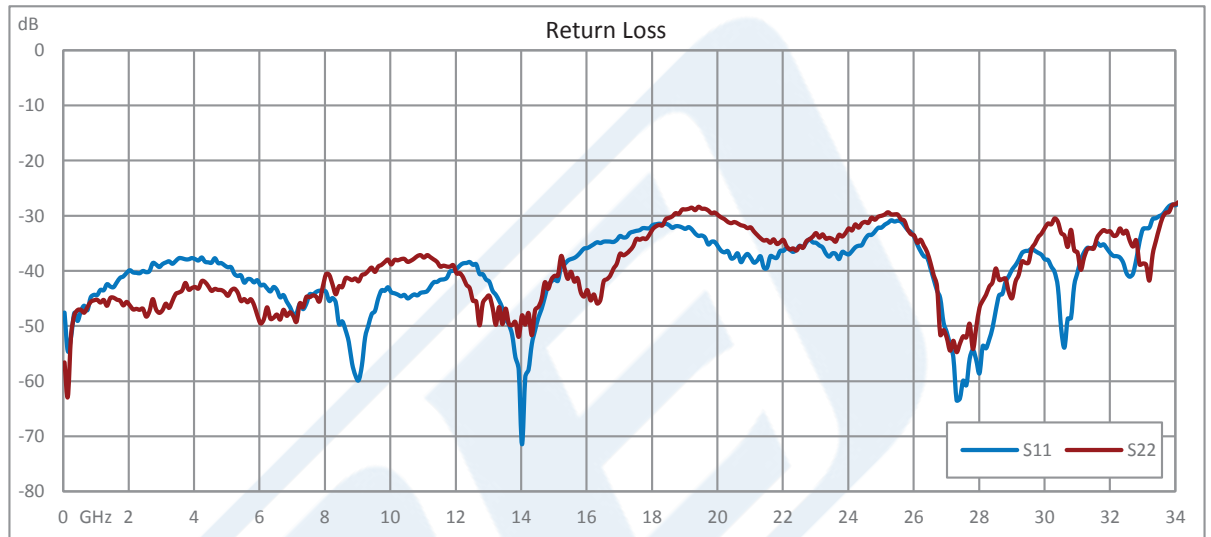


## 3.5mm Female to 3.5mm Female Bulkhead Mount Adapter

### RF Adapters Technical Data Sheet

**PE9678**

#### Typical Performance Data



Click the following link (or enter part number in "SEARCH" on website) to obtain additional part information including price, inventory and certifications: [3.5mm Female to 3.5mm Female Bulkhead Mount Adapter PE9678](#)



## 3.5mm Female to 3.5mm Female Bulkhead Mount Adapter

### RF Adapters Technical Data Sheet

**PE9678**

3.5mm Female to 3.5mm Female Bulkhead Mount Adapter from Pasternack Enterprises has same day shipment for domestic and International orders. Our RF, microwave and millimeter wave products maintain a 99.4% availability and are part of the broadest selection in the industry.

Click the following link (or enter part number in "SEARCH" on website) to obtain additional part information including price, inventory and certifications: [3.5mm Female to 3.5mm Female Bulkhead Mount Adapter PE9678](https://www.pasternack.com/3.5mm-female-3.5mm-female-straight-adapter-pe9678-p.aspx)

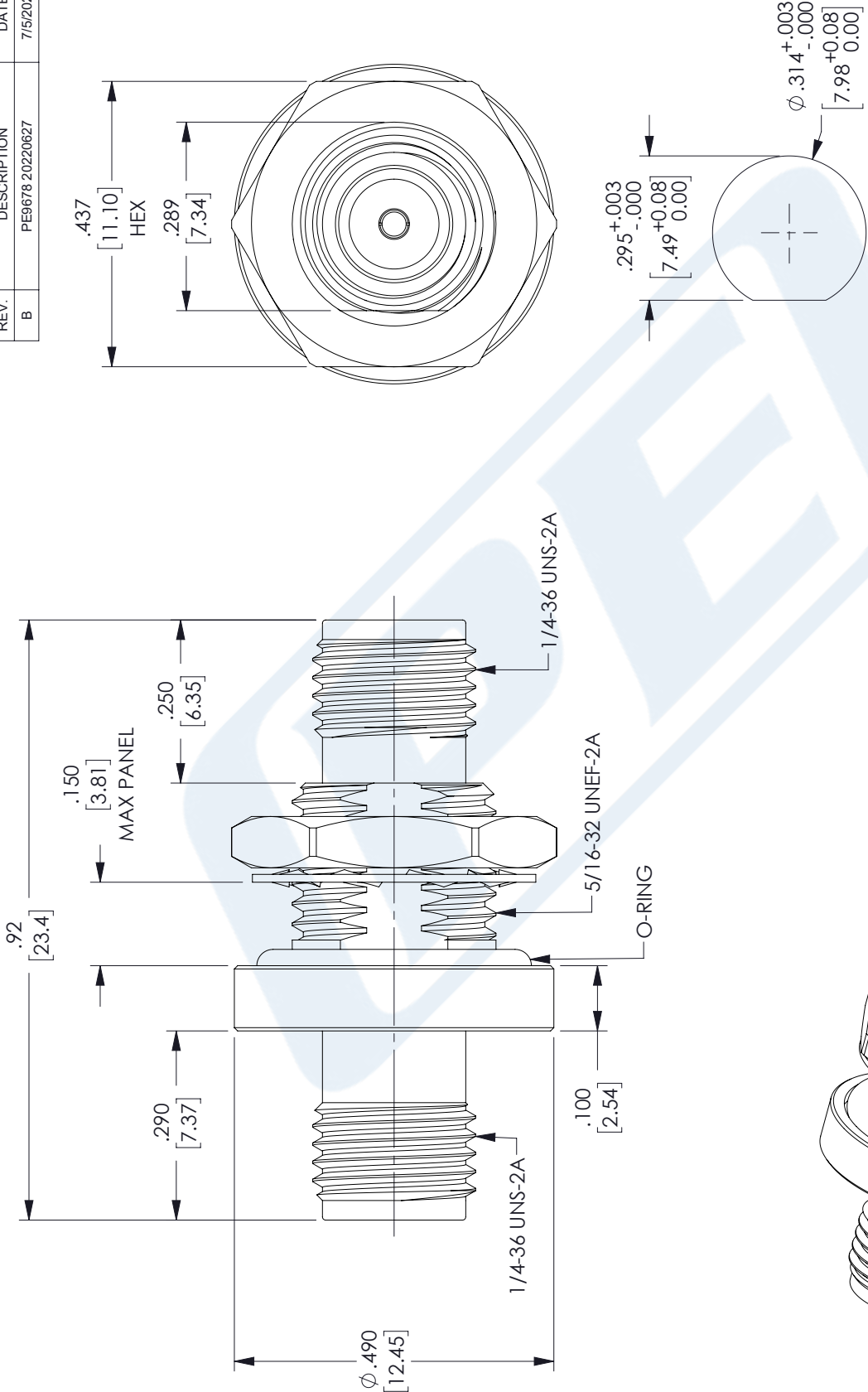
URL: <https://www.pasternack.com/3.5mm-female-3.5mm-female-straight-adapter-pe9678-p.aspx>

The information contained in this document is accurate to the best of our knowledge and representative of the part described herein. It may be necessary to make modifications to the part and/or the documentation of the part, in order to implement improvements. Pasternack reserves the right to make such changes as required. Unless otherwise stated, all specifications are nominal. Pasternack does not make any representation or warranty regarding the suitability of the part described herein for any particular purpose, and Pasternack does not assume any liability arising out of the use of any part or documentation.

# PE9678 CAD Drawing

## 3.5mm Female to 3.5mm Female Bulkhead Mount Adapter

REVISIONS			
REV.	DESCRIPTION	DATE	APPROVED
B	PE9678 20220627	7/5/2022	AMARG



MOUNTING HOLE

UNLESS OTHERWISE SPECIFIED  
LEADING DIMENSIONS ARE INCHES  
DIMENSIONS IN [ ] ARE MILLIMETERS

TOLERANCES:  
 .X = ±.2 [5.08] FRACTIONS ±.1/32  
 .XX = ±.02 [.51] ±.1/32  
 .XXX = ±.005 [.13] ANGLES ± 1°  
 CABLE LENGTH (L) TOLERANCES:  
 L ≤ 12 [305] = +1 [25] / -0  
 12 [305] < L ≤ 60 [1524] = +2 [51] / -0  
 60 [1524] < L ≤ 120 [3048] = +4 [102] / -0  
 120 [3048] < L ≤ 300 [7620] = +6 [152] / -0  
 300 [7620] < L = +5%L / -0

ALL DIMENSIONS SHOWN  
ARE FOR REFERENCE ONLY.

THIRD-ANGLE PROJECTION

THE INFORMATION AND DESIGN IN THIS DOCUMENT IS THE PROPERTY OF PASTERNAK CORPORATION. ALL RIGHTS RESERVED.

SHEET 1 OF 1

SCALE N/A

REV B

---

**PE PASTERNAK**  
an INFINITE brand

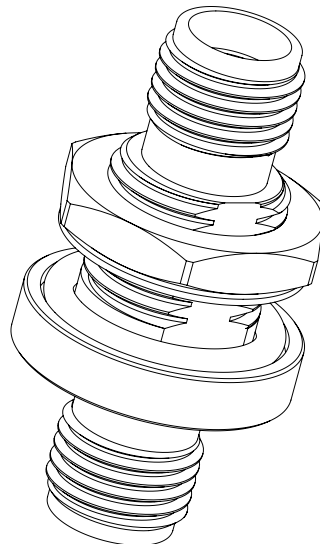
Pasternack Enterprises, Inc.  
P. O. Box 16759, Irvine, CA 92623.  
Phone: 1.949.261.1920 | 1.866.727.8376  
Fax: 1.949.261.7451  
Website: www.pasternack.com  
E-mail: sales@pasternack.com

ITEM NO. PE9678

SIZE A

CAGE CODE 53919

DRAWN BY WZHANG



THESE COMMODITIES, TECHNOLOGY OR SOFTWARE WERE EXPORTED FROM THE UNITED STATES IN ACCORDANCE WITH THE EXPORT ADMINISTRATION REGULATIONS. DIVERSION CONTRARY TO U.S. LAW PROHIBITED.

## X-ON Electronics

Largest Supplier of Electrical and Electronic Components

*Click to view similar products for [Circuit Breakers](#) category:*

*Click to view products by [Pasternack](#) manufacturer:*

Other Similar products are found below :

[LUGZX66-1-61-20.0-44](#) [M39019/01-201](#) [M39019/01-221](#) [M39019/04-249S](#) [M39019/04-313S](#) [M55629/1-016](#) [M55629/1-018](#) [M55629/1-021](#)  
[M55629/1-033](#) [M55629/1-046](#) [M55629/1-048](#) [M55629/1-058](#) [M55629/1-067](#) [M55629/1-070](#) [M55629/1-079](#) [M55629/1-084](#) [M55629/1-085](#)  
[M55629/1-109](#) [M55629/11-102](#) [M55629/12-045](#) [M55629/12-046](#) [M55629/1-330](#) [M55629/1-366](#) [M55629/1-387](#) [M55629/1-401](#) [M55629/2-](#)  
[022](#) [M55629/2-030](#) [M55629/2-072](#) [M55629/2-082](#) [M55629/2-099](#) [M55629/2-101](#) [M55629/2-102](#) [M55629/21-BM-BM](#) [M55629/21-HM-HM](#)  
[M55629/21-NS-NS](#) [M55629/22-NR-NR-NR](#) [M55629/22-RS-RS-RS](#) [M55629/2-347](#) [M55629/2-401](#) [M55629/2-413](#) [M55629/3-030](#)  
[M55629/3-050](#) [M55629/3-102](#) [M55629/3-103](#) [M55629/3-128](#) [M55629/3-130](#) [M55629/3-238](#) [M55629/3-386](#) [M55629/3-LBZB](#) [M55629/4-](#)  
[115](#)