

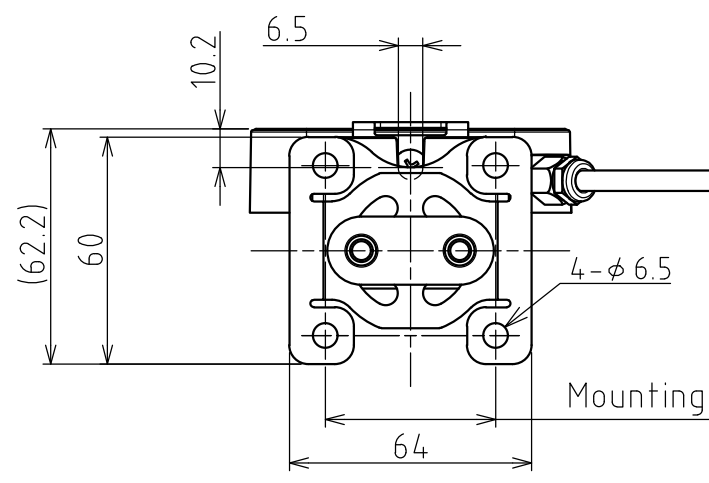
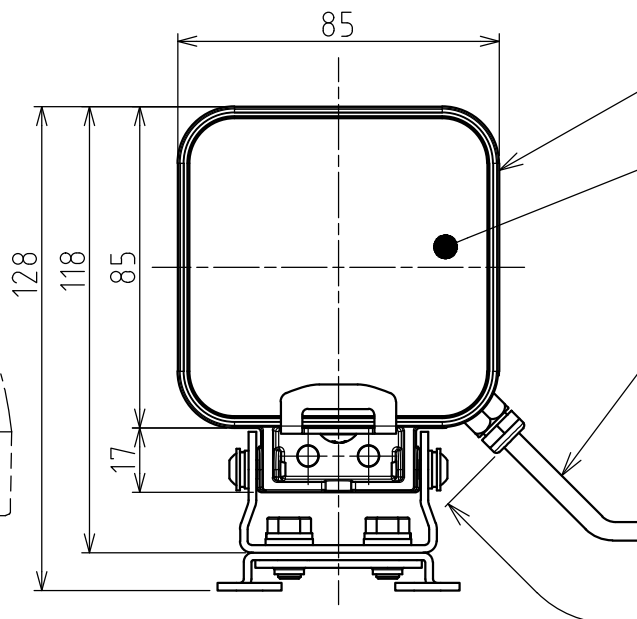
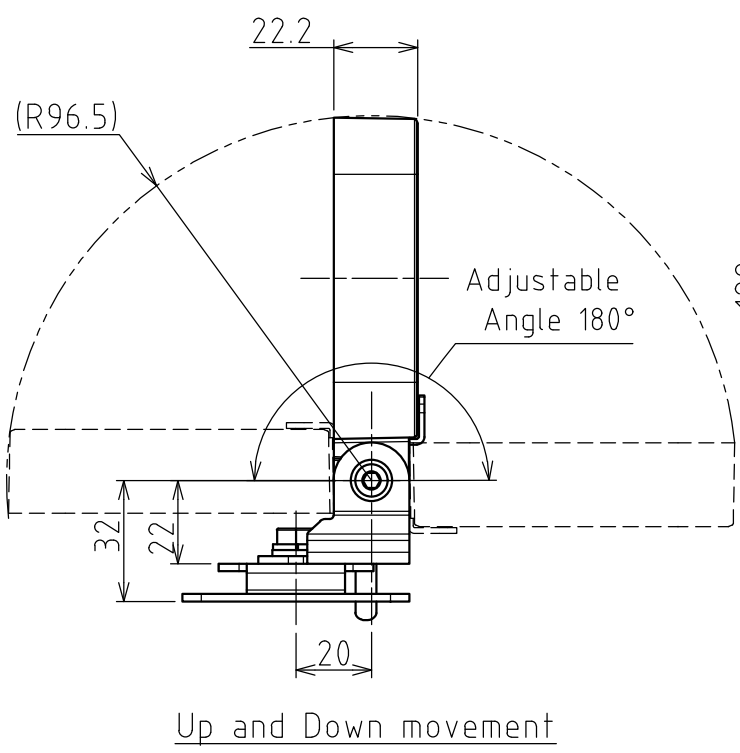
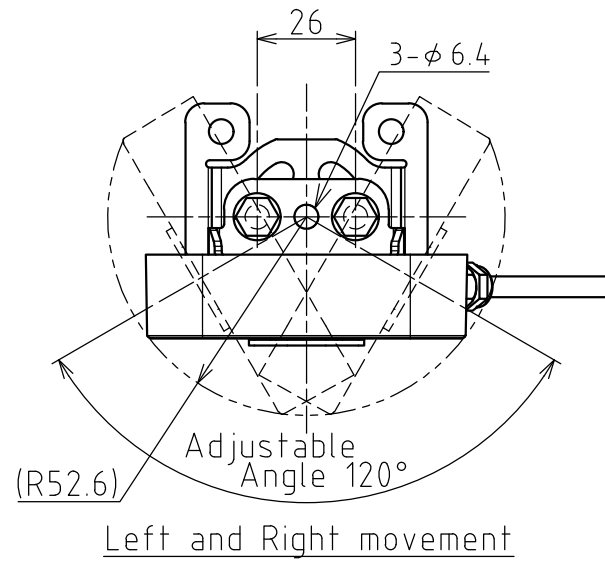
# SPECIFICATIONS

## [General Specifications]

Product Name	LED Work Light	
Model	CLN-24A-CD-PT	
Luminous Color	Daylight	
Color Temperature (typ.)	6500 K	
Illuminance (typ.) (Center , at 24V DC)	1.0m	820 lx
	2.0m	200 lx
Total Luminous Flux (typ.)	550 lm	
Rated Voltage	24V DC (Polarized)	
Operating Voltage Range	24V DC $\pm 10\%$	
Rated Current Consumption	174 mA $\pm 10\%$	
Rated Power Consumption	4.2 W	
Operating Ambient Temperature	-40°C to +60°C	
Operating Ambient Humidity	Less than 90% (No condensation)	
Mounting Location	Indoor	
Mounting Direction	All Directions	
Protection Rating	IP66G/67G (JIS C0920) / 69K (DIN 40050 part9)	
Environmental Condition	Cable Connector not included	
Insulation Resistance	More than 5M $\Omega$ at 500VDC between live part and non-current carrying metallic part	
Withstand Voltage	500V AC applied for 1min between live part and non-current carrying metallic part without breaking insulation	
Vibration Resistance	30Hz Total amplituded 0.3mmp-p Back and Forth, Up and Down, Left and Right for 2hrs. Each Total amplituded 0.3mmp-p(10 to 57Hz) Acceleration 19.6m/s <sup>2</sup> (57 to 150Hz) (JIS C60068-2-6)	
Mass (Tolerance $\pm 10\%$ )	460g	
Outer Dimensions	Refer to the Outer Dimension Drawing	
Conformity Standards	UL 2108, CSA-C22.2 No. 250.0 EMC Directive (EN 55015, EN 61000-6-2) RoHS Directive (EN IEC 63000)	
Remarks	<ul style="list-style-type: none"> <li>• Conforms to the CE requirements</li> <li>• UL Listed (File No.E306141)</li> <li>• Specifications and dimensions may change without prior notice for improvements, etc.</li> <li>• Due to the characteristics of the LED, color temperature, brightness and hue will differ for every LED and every product.</li> <li>• This product's illuminance may be affected when used in airtight conditions.</li> </ul>	

A  
B  
C  
D  
E  
F

1 2 3 4



1 2 3 4

## X-ON Electronics

Largest Supplier of Electrical and Electronic Components

*Click to view similar products for [LED Replacement Lamps - Based LEDs](#) category:*

*Click to view products by [Patlite](#) manufacturer:*

Other Similar products are found below :

[LAPD-1A](#) [LAPD-1R](#) [LAPD-2R](#) [LAPD-6W](#) [LSTD-M4S](#) [SSP-1156B153S12](#) [SSP-1157B156U12](#) [SSP-LXS110818BA](#) [560-0101F](#) [560-0103F](#)  
[LAPD-1W](#) [LAPD-6R](#) [560-0104F](#) [585-1113](#) [SSP-LXC1283S24](#) [SSP-3MB96U12G](#) [SLL-05EY](#) [1.90.690.684/0000](#) [560-0203F](#) [586-2206-](#)  
[205F](#) [SSP-LXS1826U16A](#) [LATD-2JW](#) [24LS4-G1](#) [24LS4-R1](#) [MF200-NFW5H](#) [MB403-W60-CW-BP](#) [1819LS2-G-CG](#) [387LP-B](#) [387LP-W](#)  
[6S6LS155-CWR](#) [130MBLS-G-CG](#) [5000404LAMP](#) [E10SB12A](#) [E10SB130A](#) [E10SB24A](#) [E10SG12A](#) [E10SG130A](#) [E10SR12A](#) [E10SR130A](#)  
[E10SW12A](#) [E10SY12A](#) [E10SY130A](#) [6S6LS130-CWW](#) [MF200-BCG12H](#) [MF200-NFR5H](#) [24L4-B1](#) [120PSBL-NWW](#) [MF200-NKG120](#)  
[5SB-NFG24H](#) [MF200C-NFW28H](#)