

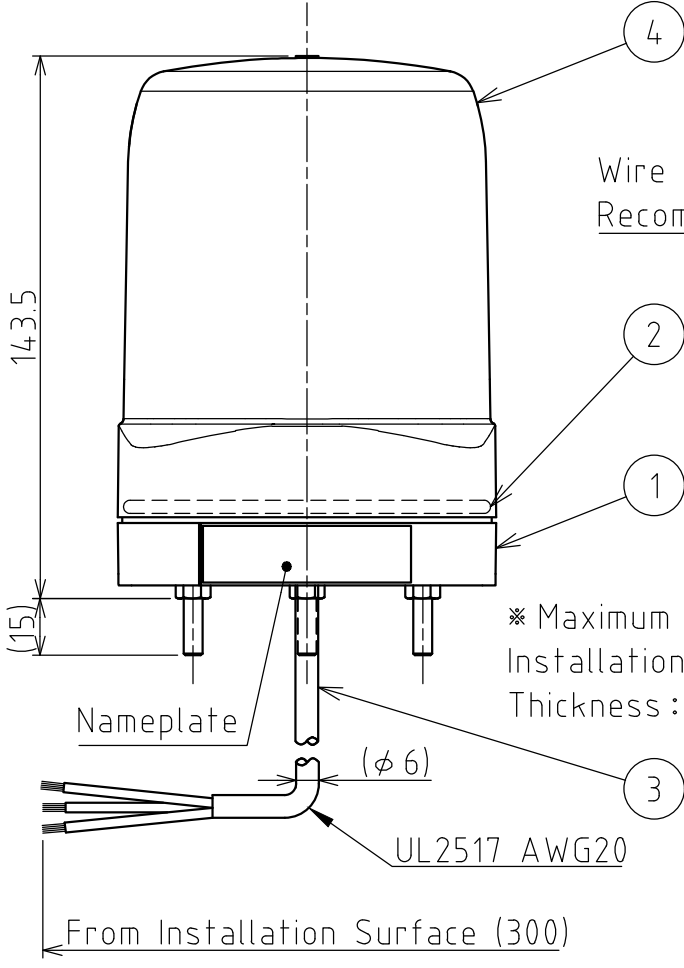
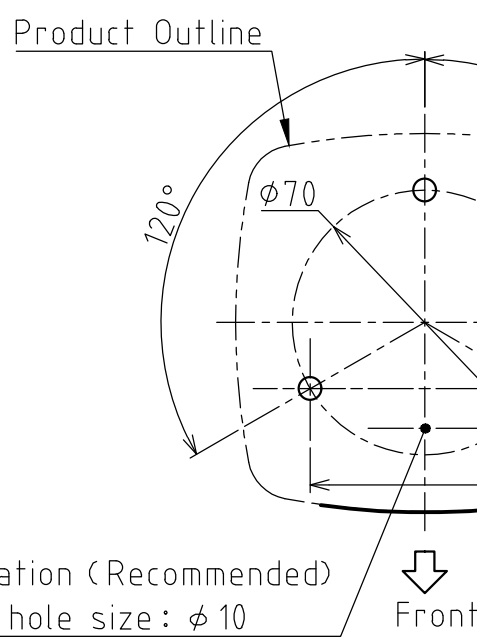
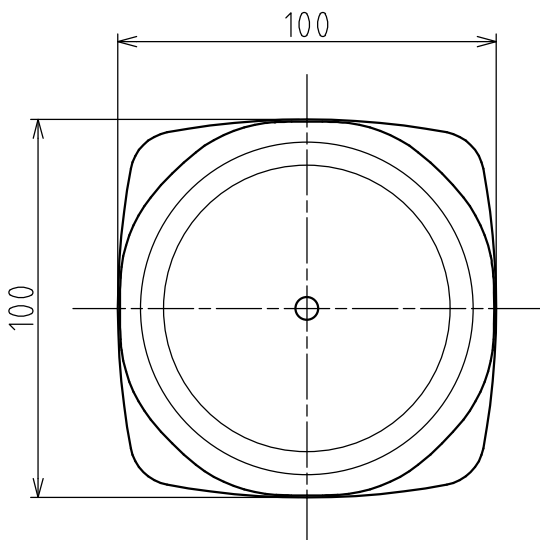
# SPECIFICATIONS

## [General Specifications]

Product Name		Signal Light		
Model		LFH-12	LFH-24	LFH-48
Rated Voltage		12V DC	24V DC	48V DC
Operating Voltage Range		9.5V DC~15V DC	20V DC~30V DC	35V DC~60V DC
Signal Wire Current	Typ.	0.42A	0.19A	0.13A
	Max.	0.50A	0.23A	0.18A
Rated Power Consumption	Typ.	5.0W	4.5W	6.5W
	Max.	6.0W	5.5W	7.5W
Operating Ambient Temperature		-30°C ~ +70°C		
Operating Ambient Humidity		Less than 90% (No condensation)		
Storage Ambient Temperature		-40°C ~ +80°C		
Storage Ambient Humidity		Less than 90% (No condensation)		
Mounting Location		Indoors and Outdoors		
Mounting Direction		Upright ,Inverted and Sideways (In a wet environment, Upright only)		
Protection Rating		IP66 (IEC 60529)		
Environmental Condition		Upright Mounting		
Vibration Resistance		90m/s <sup>2</sup>		
Insulation Resistance		More than 1MΩ at 500VDC between the terminals and the chassis		
Withstand Voltage		The following voltage is applied for 1 min between terminals and chassis without breaking insulation		
		500V AC	1000V AC	
Flashing Rate		110±10 Flashes Per Minute (Triple Flash Pattern)		
Luminous Intensity		Red:112cd or more Amber: 177cd or more Green: 240cd or more Blue: 52cd or more White: 257cd or more		
Mass (Tolerance ±10%)		570g		
Outer Dimensions		Refer to the "Dimensions" Drawing		
Conformity Standards		UL 1638, CAN/ULC-S526-M87		
		RoHS Directive (EN IEC 63000)		-
		EMC Directive (EN 55015, EN 61547)		-
		FCC Part15 SubpartB Class A		-
Remarks		<ul style="list-style-type: none"> <li>• UL Listed (File No.S24210)</li> <li>• There are no contents of controlled substances exceeding the threshold for the RoHS Directive.</li> <li>• This product conforms to EN standard and shows the CE Marking. (Except for LFH-48)</li> <li>• The EMC level is in conformity with a requirements of ECE Regulation No.10 standards. (Except for LFH-48)</li> </ul> <p>Accessories : Spring Washer (X3) 、 Washer (X3) 、 Nut (X3) 、 Instruction Manual</p>		

A  
B  
C  
D  
E  
F

1 2 3 4



Wire Exit Location (Recommended)  
Recommended hole size:  $\phi 10$

Installation Di

※ Maximum Product  
Installation Board  
Thickness: 7mm

Nameplate

( $\phi 6$ )

UL2517 AWG20

From Installation Surface (300)

Dimensions

## X-ON Electronics

Largest Supplier of Electrical and Electronic Components

*Click to view similar products for [Patlite](#) manufacturer:*

Other Similar products are found below :

[BDV-15JF-K](#) [BSV-24P-D](#) [BSV-24P-W](#) [CLA1S-24A-CD-30](#) [CLA2S-24A-CD-30](#) [CLA3S-24A-CD-30](#) [CLK3C-24AG-CD](#) [CLN-24A-CD-PT](#)  
[CLN-24A-CD-T](#) [CWF-001](#) [CWF-002](#) [CWF3S-24-CD](#) [CWK2S-24-CD](#) [CWK3C-24-CD+FL008](#) [CWK3S-24-CD](#) [CWK6S-24-CD](#) [EHS-](#)  
[M1TE](#) [EHV-M1TG](#) [LA6-3DTNUB-RYG](#) [LA6-3DTNUN-RYG](#) [LA6-3DTNWB-RYG](#) [LA6-5DTNUB-RYGBC](#) [LA6-5DTNUN-RYGBC](#)  
[LA6-5DTNWB-RYGBC](#) [LFH-24-R](#) [LFH-24-Y](#) [LR4-02LJNU](#) [LR4-02LJNW](#) [LR4-02PJNU](#) [LR4-02QJNW](#) [LR4-02WJNU](#) [LR4-02WJNW](#)  
[LR4-202LJBW-RG](#) [LR4-302LJBU-RYG](#) [LR4-302LJBW-RYG](#) [LR4-302LJNU-RYG](#) [LR4-302LJNW-RYG](#) [LR4-302QJBW-RYG](#) [LR4-](#)  
[302QJNW-RYG](#) [LR4-302WJBU-RYG](#) [LR4-302WJBW-RYG](#) [LR4-302WJNU-RYG](#) [LR4-302WJNW-RYG](#) [LR4-402LJBW-RYGB](#) [LR4-BU](#)  
[LR4-BW](#) [LR4-E-B](#) [LR4-E-C](#) [LR4-E-G](#) [LR4-E-R](#)