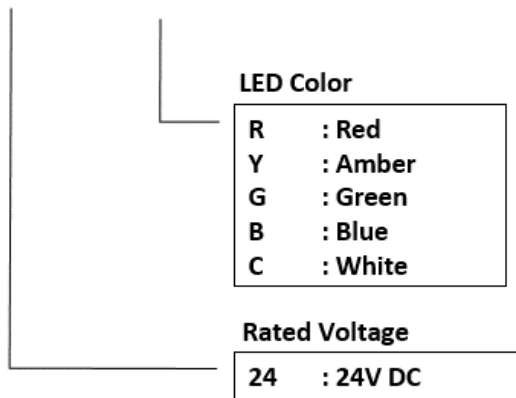


# SPECIFICATIONS

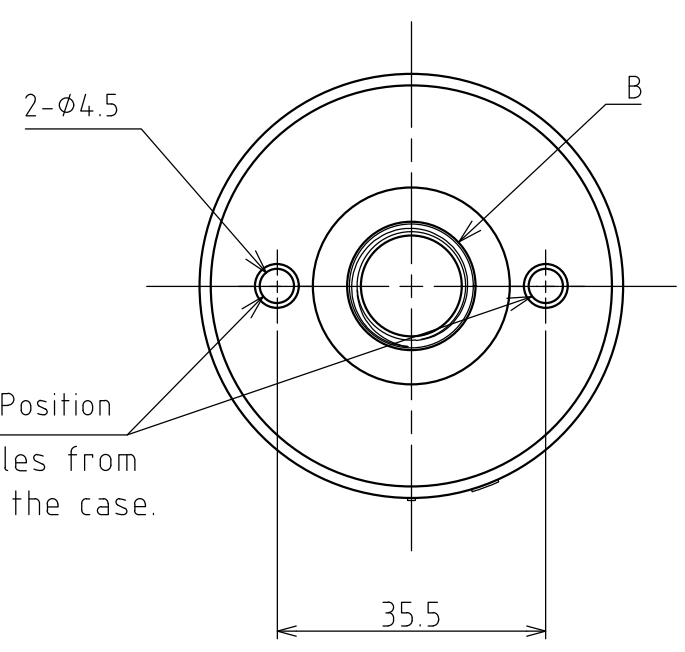
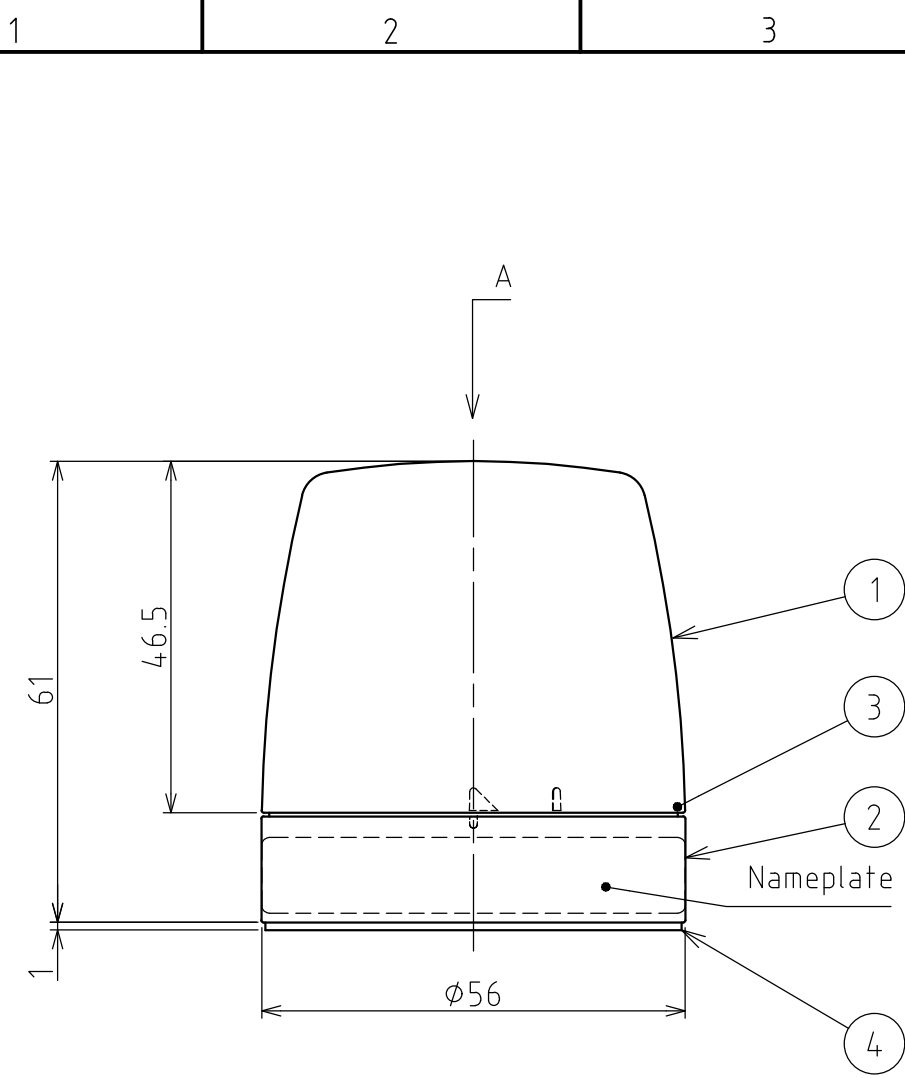
[General Specifications]

Product Name		Signal Light
Model		NE-24A-□
Rated Voltage		24V DC
Operating Voltage Range		Rated Voltage ±10%
Rated Current Consumption	Typ.	22mA
	Max.	26mA
Rated Power Consumption	Typ.	0.6W
	Max.	0.7W
Operating Ambient Temperature		-30°C to +50°C
Operating Ambient Humidity		Less than 90% (No condensation)
Storage Ambient Temperature		-40°C to +75°C
Storage Ambient Humidity		Less than 90% (No condensation)
Mounting Location		Indoor
Mounting Direction		All Directions
Protection Rating		IP65, NEMA TYPE 4X, 13
Environmental Condition		All Directions
Insulation Resistance		More than 5MΩ at 500VDC between live part and non-current carrying metallic part
Withstand Voltage		500VAC applied for 1min between live part and non-current carrying metallic part without breaking insulation
Mass (Tolerance ±10%)		0.06kg
Outer Dimensions		Refer to the Outer Dimension Drawing
Conformity Standards		EMC Directive (EN 61000-6-4, EN 61000-6-2)
		RoHS Directive (EN IEC 63000)
		UL 508, CSA-C22.2 No. 14
Remarks		Due to the characteristics of the LED elements, a variation in difference of the color tone and brightness of every product may occur.
Model Number Configuration		

NE- 24 A - R



A  
B  
C  
D  
E  
F



Mounting Hole Position  
 ※ Drill the holes from the top on the case.

[Note]

1. Cable gland of M16(P=1.5) can be attached to part B.
2. This product has no power cord, Use the Screwless terminal block on mounting plate to connect the power supply.

Cord E

Screwless t  
 Applicable V  
 Solid W  
 Stranded

1 2 3 4

## X-ON Electronics

Largest Supplier of Electrical and Electronic Components

*Click to view similar products for [Patlite](#) manufacturer:*

Other Similar products are found below :

[LA6-3DTNWB-RYG](#) [LR4-302QJBW-RYG](#) [LR6-E-B](#) [LR7-02WTNU](#) [NH-WST](#) [VSST-LR6-502LJBW-RYGBC](#) [NE-ILTB-M](#) [NE-ILXB-M](#)  
[NE-M1ANN-M](#) [NE-M1ATB-M](#) [NE-24A-R](#) [WME-402DFB-RYGB](#) [PFH-BT-R](#) [PFH-BT-Y](#) [WEP-302-RYG](#) [WEP-302FB-RYG](#) [WEP-402FB-RYGB](#) [WEP-502-RYGBC](#) [CLA9S-24A-CD-30](#) [CLA1S-24A-CD-30](#) [CLA2S-24A-CD-30](#) [CLA3S-24A-CD-30](#) [CLA6S-24A-CD-30](#)  
[CLK3C-24AG-CD](#) [CLK6C-24AG-CD](#) [CLN-24A-CD-PT](#) [CLN-24A-CD-T](#) [CWA6S-24-CD](#) [CWA9S-24-CD](#) [CWF3S-24-CD](#) [CWK2S-24-CD](#)  
[CWK3C-24-CD+FL008](#) [CWK3S-24-CD](#) [CWK6S-24-CD](#) [LA6-3DTNUB-RYG](#) [LA6-3DTNUN-RYG](#) [LA6-5DTNUB-RYGBC](#) [LA6-5DTNUN-RYGBC](#) [LA6-5DTNWB-RYGBC](#) [LFH-24-R](#) [LFH-24-Y](#) [LR4-302QJNW-RYG](#) [LR4-402LJBW-RYGB](#) [LR5-02KTNK](#) [LR5-02KTNU](#) [LR5-02WTNW](#) [LR6-202WJBW-RG](#) [LR6-302PJBU-RYG](#) [LR6-302WJBU-RYG](#) [LR6-302WJNU-RYG](#)