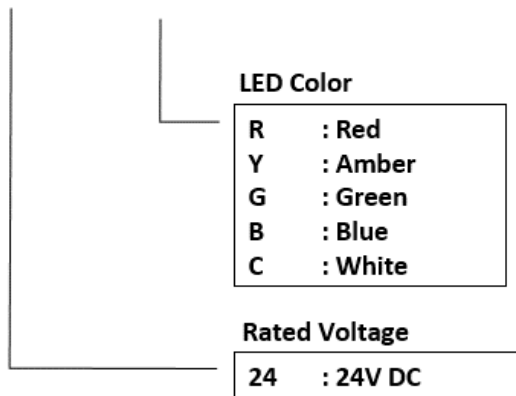


SPECIFICATIONS

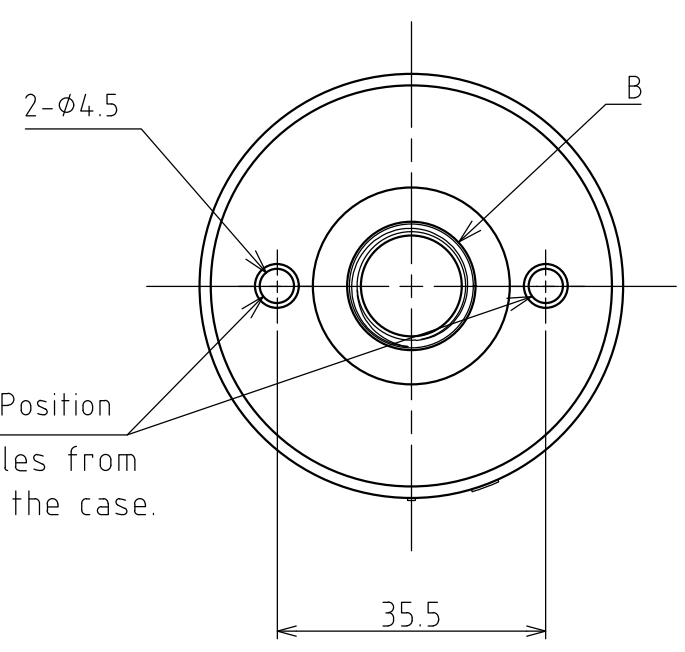
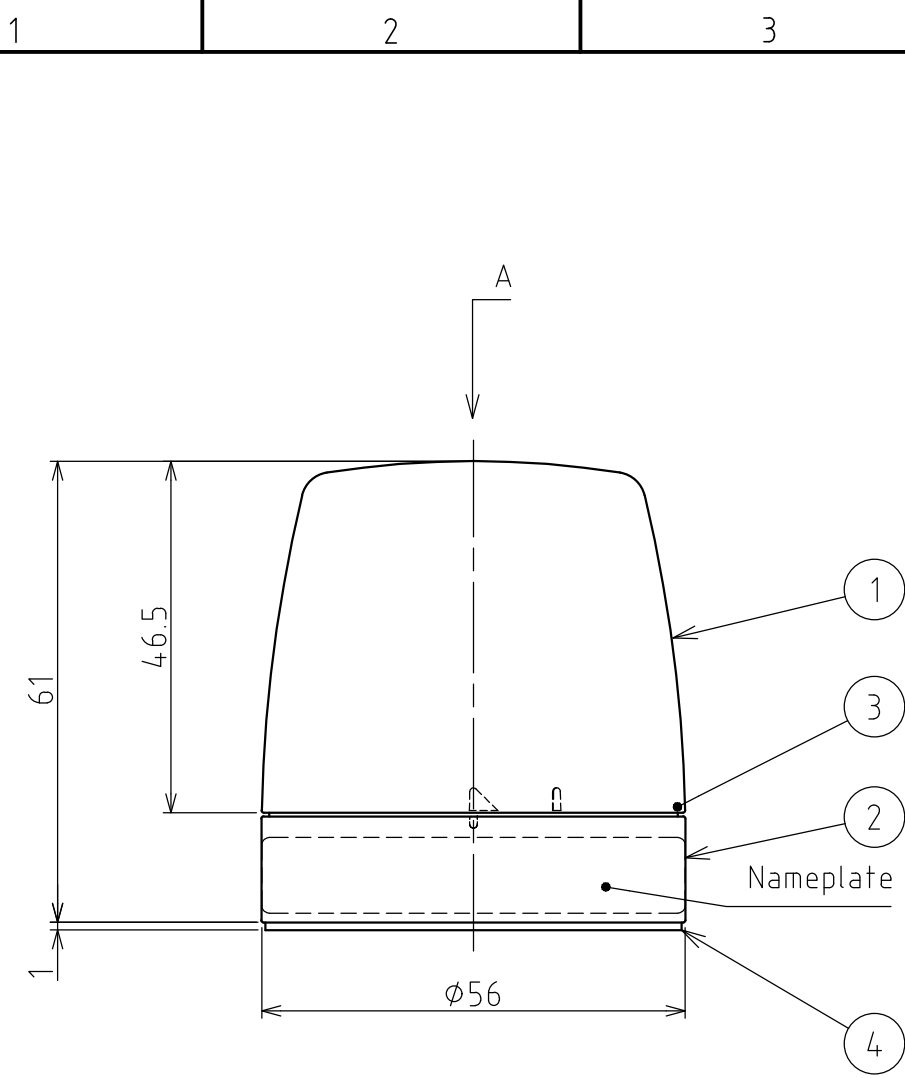
[General Specifications]

Product Name		Signal Light
Model		NE-24A-□
Rated Voltage		24V DC
Operating Voltage Range		Rated Voltage ±10%
Rated Current Consumption	Typ.	22mA
	Max.	26mA
Rated Power Consumption	Typ.	0.6W
	Max.	0.7W
Operating Ambient Temperature		-30°C to +50°C
Operating Ambient Humidity		Less than 90% (No condensation)
Storage Ambient Temperature		-40°C to +75°C
Storage Ambient Humidity		Less than 90% (No condensation)
Mounting Location		Indoor
Mounting Direction		All Directions
Protection Rating		IP65, NEMA TYPE 4X, 13
Environmental Condition		All Directions
Insulation Resistance		More than 5MΩ at 500VDC between live part and non-current carrying metallic part
Withstand Voltage		500VAC applied for 1min between live part and non-current carrying metallic part without breaking insulation
Mass (Tolerance ±10%)		0.06kg
Outer Dimensions		Refer to the Outer Dimension Drawing
Conformity Standards		EMC Directive (EN 61000-6-4, EN 61000-6-2)
		RoHS Directive (EN IEC 63000)
		UL 508, CSA-C22.2 No. 14
Remarks		Due to the characteristics of the LED elements, a variation in difference of the color tone and brightness of every product may occur.
Model Number Configuration		

NE- 24 A - R



A
B
C
D
E
F



Mounting Hole Position
 ※ Drill the holes from the top on the case.

- [Note]
1. Cable gland of M16(P=1.5) can be attached to part B.
 2. This product has no power cord, Use the Screwless terminal block on mounting plate to connect the power supply.

Cord E

Screwless t
 Applicable V
 Solid W
 Stranded

1 2 3 4

X-ON Electronics

Largest Supplier of Electrical and Electronic Components

Click to view similar products for [Patlite](#) manufacturer:

Other Similar products are found below :

[LA6-3DTNWB-RYG](#) [LR4-302QJBW-RYG](#) [LR6-E-B](#) [LR7-02WTNU](#) [NH-WST](#) [VSST-LR6-502LJBW-RYGBC](#) [NE-ILTB-M](#) [NE-ILXB-M](#)
[NE-M1ANN-M](#) [NE-M1ATB-M](#) [NE-24A-R](#) [WME-402DFB-RYGB](#) [PFH-BT-R](#) [PFH-BT-Y](#) [WEP-302-RYG](#) [WEP-302FB-RYG](#) [WEP-402FB-RYGB](#) [WEP-502-RYGBC](#) [CLA1S-24A-CD-30](#) [CLA2S-24A-CD-30](#) [CLA3S-24A-CD-30](#) [CLK3C-24AG-CD](#) [CLN-24A-CD-PT](#)
[CLN-24A-CD-T](#) [CWF3S-24-CD](#) [CWK2S-24-CD](#) [CWK3C-24-CD+FL008](#) [CWK3S-24-CD](#) [CWK6S-24-CD](#) [LA6-3DTNUB-RYG](#) [LA6-3DTNUN-RYG](#) [LA6-5DTNUB-RYGBC](#) [LA6-5DTNUN-RYGBC](#) [LA6-5DTNWB-RYGBC](#) [LFH-24-R](#) [LFH-24-Y](#) [LR4-302QJNW-RYG](#)
[LR4-402LJBW-RYGB](#) [LR5-02KTNK](#) [LR5-02KTNU](#) [LR5-02KTNW](#) [LR5-02WTNW](#) [LR6-202WJBW-RG](#) [LR6-302PJBU-RYG](#) [LR6-302WJBU-RYG](#) [LR6-302WJNU-RYG](#) [LR6-302WJNW-RYG](#) [LR6-3USBK-RYG](#) [LR6-3USBW-RYG](#) [LR6-402WJBW-RYGB](#)