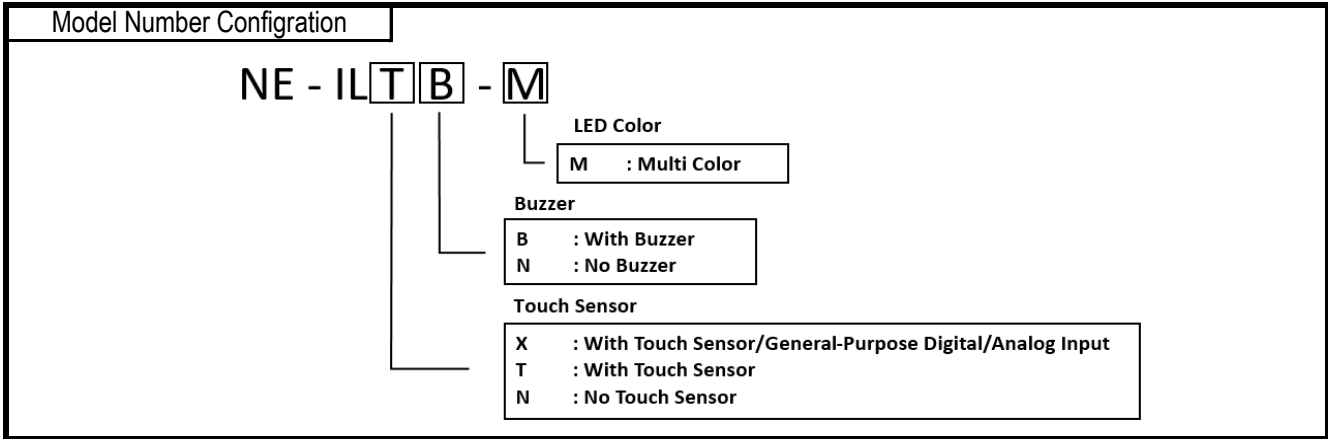


SPECIFICATIONS

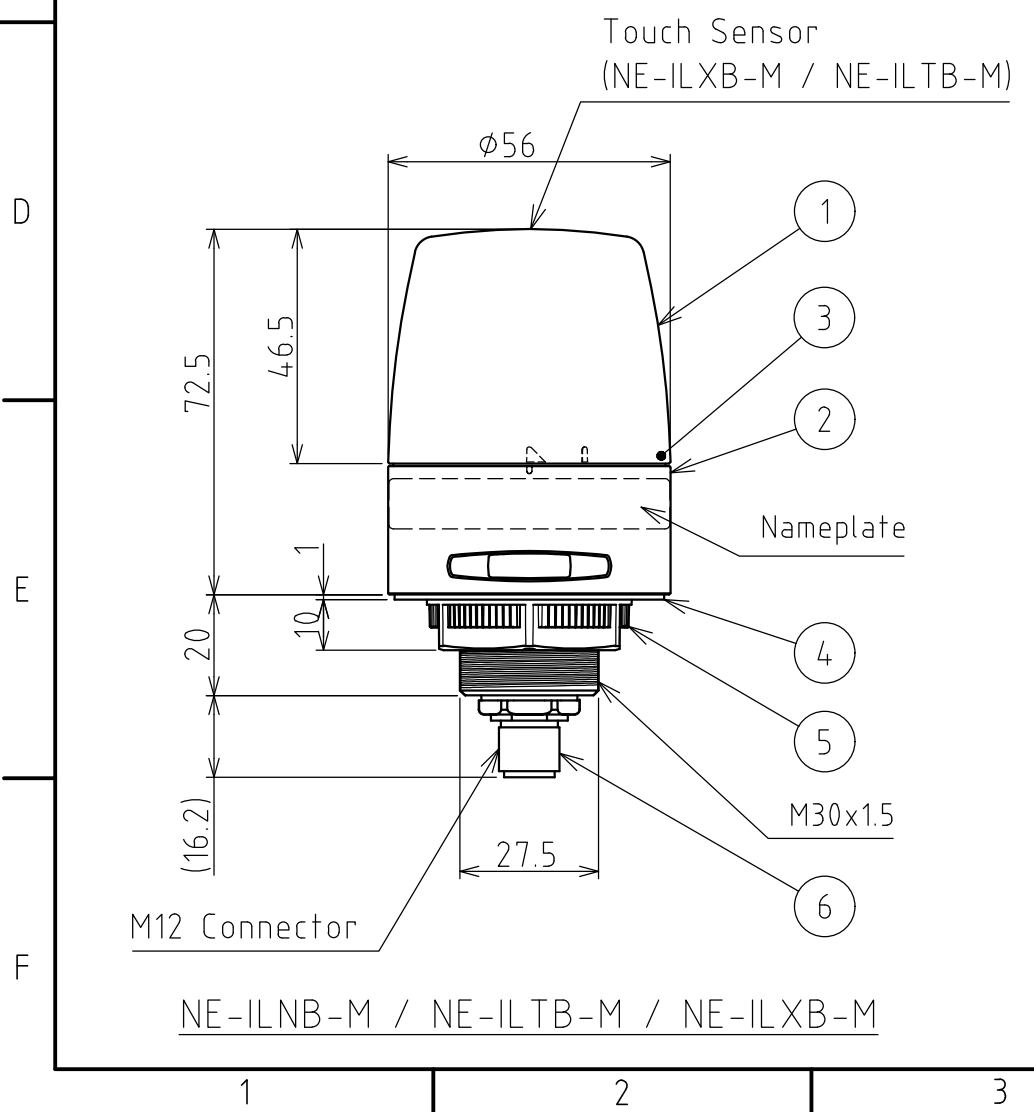
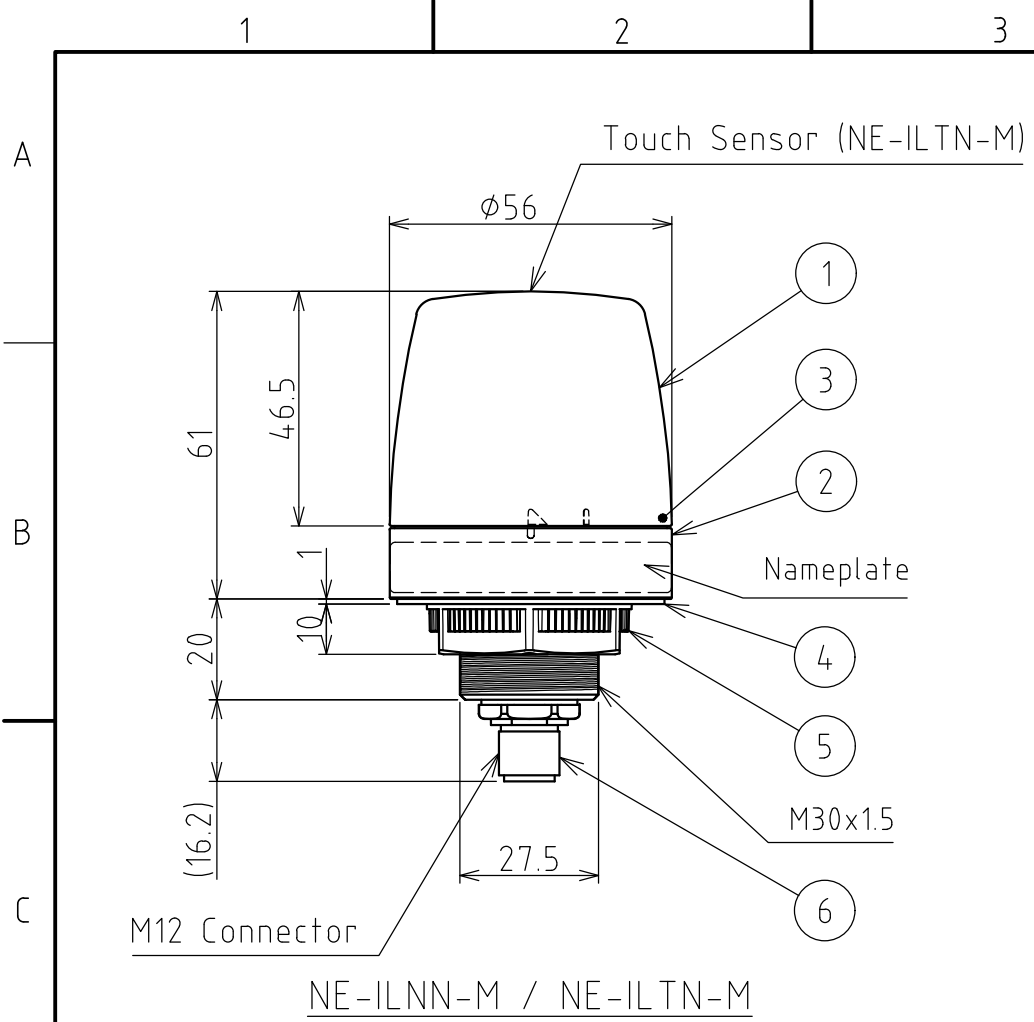
[General Specifications]

Product Name	IO-Link Signal Light				
Model	NE-ILNN-M	NE-ILTN-M	NE-ILNB-M	NE-ILTB-M	NE-ILXB-M
Rated Voltage	24V DC				
Operating Voltage Range	18 - 30V DC				
Rated Current	Typ.	40mA		80mA	
	Consumption	Max.	50mA		100mA
Rated Power	Typ.	1.0W		2.0W	
	Consumption	Max.	1.2W		2.4W
Inrush Current	Less than 10A / 0.2msec				
Operating Ambient Temperature	-25°C to +60 °C				
Operating Ambient Humidity	Less than 90% (No condensation)				
Storage Ambient Temperature	-40 °C to + 75°C				
Storage Ambient Humidity	Less than 90% (No condensation)				
Mounting Location	Indoor				
Mounting Direction	Upright				
Protection Rating	IP65、NEMA TYPE 4X, 13				
Environmental Condition	Upright				
Insulation Resistance	More than 5MΩ at 500VDC between live part and non-current carrying metallic part				
Withstand Voltage	500VAC applied for 1min between live part and non-current carrying metallic part without breaking insulation				
Sound Pressure Level	-		Typ. 88dB		
	Environmental Condition	Front direction from the center/at 1m Buzzer Sound 「Continuous tone」			
Buzzer Sound (NE-IL□B-M)	1	Continuous tone	5	Continuous tone 500ms ON / 500ms OFF	
	2	Intermittent tone	6	Intermittent tone 500ms ON / 500ms OFF	
	3	High-low tone	7	High-low tone 500ms ON / 500ms OFF	
	4	Sweep sound	8	Sweep sound 500ms ON / 500ms OFF	
Luminous Color	Red / Green / Blue / Amber / Cyan / Purple / White				
Touch Sensor input method	-	Electrostatic Capacitance	-	Electrostatic Capacitance	
Analog Input Range	-			4mA ~ 20mA	
Digital Input	-			Voltage Contact (NPN/PNP Transistor)	
Mass (Tolerance ±10%)	0.09kg		0.10kg		
Outer Dimensions	Refer to the Outer Dimension Drawing				
Conformity Standards	EMC Directive (EN 61000-6-4, EN 61000-6-2)				
	RoHS Directive (EN IEC 63000)				
	UL 508, CSA-C22.2 No. 14				
	FCC Part 15 SubpartB Class A				
	ICES-003				
	KC (KN 61000-6-4, KN 61000-6-2)				
Remarks	Due to the characteristics of the LED elements, a variation in difference of the color tone and brightness of every product may occur.				



[IO-Link Specifications]

Function		LED control, Buzzer control (NE-IL□B-M) LED Color setting, Brightness setting, Buzzer tone setting (NE-IL□B-M)
Communication specification	IO-Link revision	Version 1.1
	Transmission rate	COM2 (38.4 kbps)
	Minimum cycle time	8 ms
	Process data length	2 byte / 2 byte (input from master / output to master)
Vendor ID		763
Device ID		60001



	M12 Con
NE-ILNN-M / NE-ILNB-M NE-ILTN-M / NE-ILTB-M	
NE-ILXB-M	Analog I Digital GN Digital I

[Note]
 1. A cable with
 2. Luminous Col
 and paramet

X-ON Electronics

Largest Supplier of Electrical and Electronic Components

Click to view similar products for [Patlite](#) manufacturer:

Other Similar products are found below :

[BDV-15JF-K](#) [BSV-24P-D](#) [BSV-24P-W](#) [CLA1S-24A-CD-30](#) [CLA2S-24A-CD-30](#) [CLA3S-24A-CD-30](#) [CLK3C-24AG-CD](#) [CLN-24A-CD-PT](#)
[CLN-24A-CD-T](#) [CWF-001](#) [CWF-002](#) [CWF3S-24-CD](#) [CWK2S-24-CD](#) [CWK3C-24-CD+FL008](#) [CWK3S-24-CD](#) [CWK6S-24-CD](#) [EHS-](#)
[M1TE](#) [EHV-M1TG](#) [LA6-3DTNUB-RYG](#) [LA6-3DTNUN-RYG](#) [LA6-3DTNWB-RYG](#) [LA6-5DTNUB-RYGBC](#) [LA6-5DTNUN-RYGBC](#)
[LA6-5DTNWB-RYGBC](#) [LFH-24-R](#) [LFH-24-Y](#) [LR4-02LJNU](#) [LR4-02LJNW](#) [LR4-02PJNU](#) [LR4-02QJNW](#) [LR4-02WJNU](#) [LR4-02WJNW](#)
[LR4-202LJBW-RG](#) [LR4-302LJBU-RYG](#) [LR4-302LJBW-RYG](#) [LR4-302LJNU-RYG](#) [LR4-302LJNW-RYG](#) [LR4-302QJBW-RYG](#) [LR4-](#)
[302QJNW-RYG](#) [LR4-302WJBU-RYG](#) [LR4-302WJBW-RYG](#) [LR4-302WJNU-RYG](#) [LR4-302WJNW-RYG](#) [LR4-402LJBW-RYGB](#) [LR4-BU](#)
[LR4-BW](#) [LR4-E-B](#) [LR4-E-C](#) [LR4-E-G](#) [LR4-E-R](#)