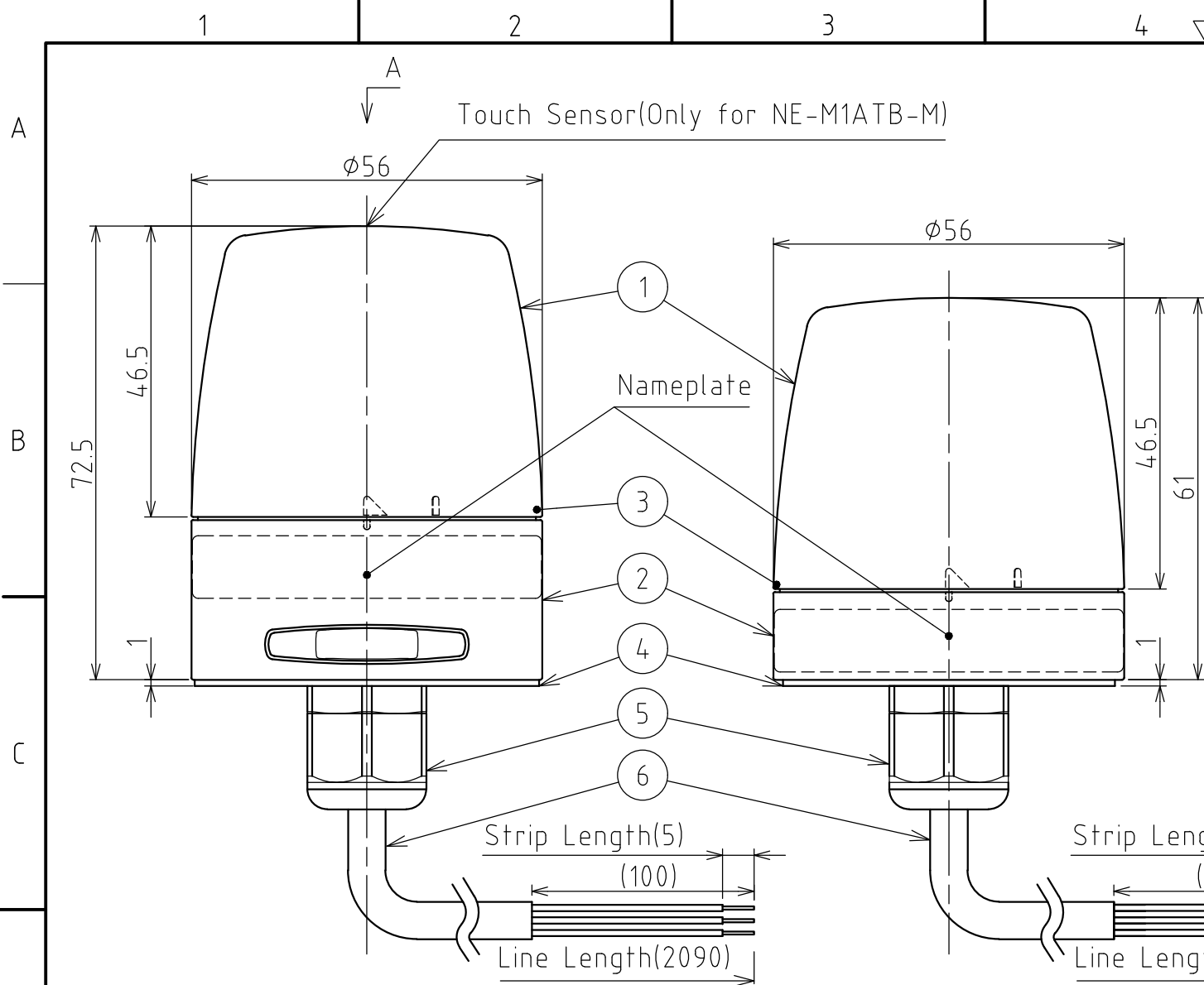


# SPECIFICATIONS

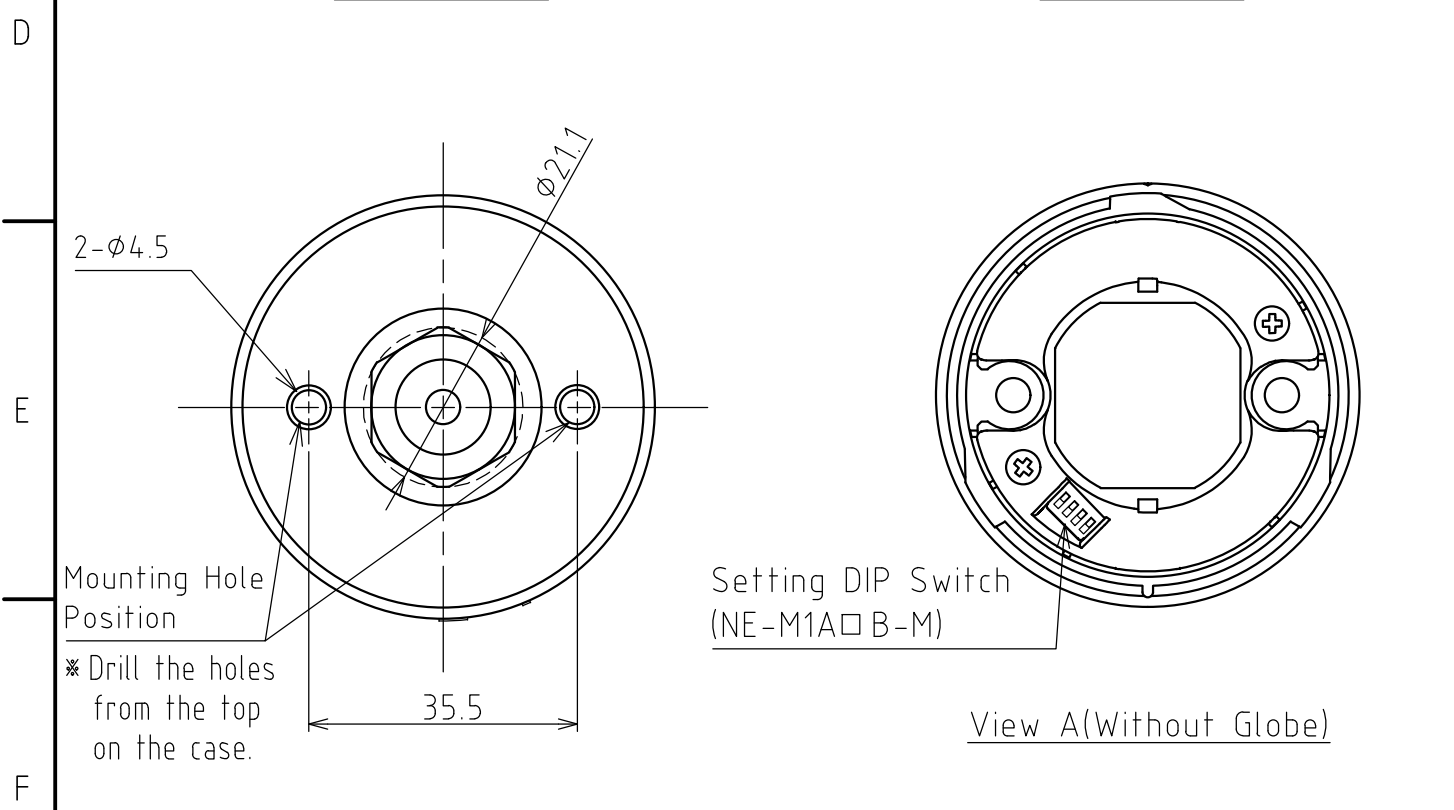
## [General Specifications]

Product Name		Signal Light		
Model		NE-M1ANN-M	NE-M1ANB-M	NE-M1ATB-M
Rated Voltage		12V DC - 24V DC		
Operating Voltage Range		10V DC - 30V DC		
Rated Current Consumption	Typ.	12V DC	55mA	80mA
		24V DC	45mA	65mA
	Max.	12V DC	65mA	95mA
		24V DC	50mA	75mA
Rated Power Consumption	Typ.	12V DC	0.7W	1.0W
		24V DC	1.1W	1.6W
	Max.	12V DC	0.8W	1.2W
		24V DC	1.2W	1.8W
Standby Current		Less than 20mA		
Inrush Current		Less than 0.4A / 2msec		
Operating Ambient Temperature		-25°C to +60 °C		
Operating Ambient Humidity		Less than 90% (No condensation)		
Storage Ambient Temperature		-40°C to +75°C		
Storage Ambient Humidity		Less than 90% (No condensation)		
Mounting Location		Indoor		
Mounting Direction		All Directions		
Protection Rating		IP67、NEMA TYPE 4X, 13	IP65、NEMA TYPE 4X, 13	
Environmental Condition		Upright		
Insulation Resistance		More than 5MΩ at 500VDC between live part and non-current carrying metallic part		
Withstand Voltage		500VAC applied for 1min between live part and non-current carrying metallic part without breaking insulation		
Sound Pressure Level		-	Typ. 88dB	
Environmental Condition		Front direction from the center/at 1m Buzzer Sound 「Continuous tone」		
Buzzer Sound		Setting DIP Switch		
		OFF	Intermittent tone	ON Continuous tone
Luminous Color		Red / Green / Blue / Amber / Cyan / Purple / White		
Touch Sensor input method		-		Electrostatic Capacitance
Mass (Tolerance ±10%)		0.15kg	0.17kg	
Outer Dimensions		Refer to the Outer Dimension Drawing		
Conformity Standards		EMC Directive (EN 61000-6-4, EN 61000-6-2)		
		RoHS Directive (EN IEC 63000)		
		UL 508, CSA-C22.2 No. 14		
		FCC Part 15 SubpartB Class A		
		ICES-003		
		KC (KN 61000-6-4, KN 61000-6-2)		
Remarks		Due to the characteristics of the LED elements, a variation in difference of the color tone and brightness of every product may occur.		
Model Number Configuration		NE- [M1] [A] [T] [B] - [M]		
		<div style="display: flex; flex-direction: column; align-items: flex-start;"> <div style="margin-bottom: 5px;">LED Color M : Multi Color</div> <div style="margin-bottom: 5px;">Buzzer B : With Buzzer N : No Buzzer</div> <div style="margin-bottom: 5px;">Touch Sensor T : With Touch Sensor N : No Touch Sensor</div> <div style="margin-bottom: 5px;">Rated Voltage M1 : 12-24V DC</div> </div>		



NE-M1A□B-M

NE-M1ANN-M



## X-ON Electronics

Largest Supplier of Electrical and Electronic Components

*Click to view similar products for [Patlite](#) manufacturer:*

Other Similar products are found below :

[BDV-15JF-K](#) [BSV-24P-D](#) [BSV-24P-W](#) [CLA1S-24A-CD-30](#) [CLA2S-24A-CD-30](#) [CLA3S-24A-CD-30](#) [CLK3C-24AG-CD](#) [CLN-24A-CD-PT](#)  
[CLN-24A-CD-T](#) [CWF-001](#) [CWF-002](#) [CWF3S-24-CD](#) [CWK2S-24-CD](#) [CWK3C-24-CD+FL008](#) [CWK3S-24-CD](#) [CWK6S-24-CD](#) [EHS-](#)  
[M1TE](#) [EHV-M1TG](#) [LA6-3DTNUB-RYG](#) [LA6-3DTNUN-RYG](#) [LA6-3DTNWB-RYG](#) [LA6-5DTNUB-RYGBC](#) [LA6-5DTNUN-RYGBC](#)  
[LA6-5DTNWB-RYGBC](#) [LFH-24-R](#) [LFH-24-Y](#) [LR4-02LJNU](#) [LR4-02LJNW](#) [LR4-02PJNU](#) [LR4-02QJNW](#) [LR4-02WJNU](#) [LR4-02WJNW](#)  
[LR4-202LJBW-RG](#) [LR4-302LJBU-RYG](#) [LR4-302LJBW-RYG](#) [LR4-302LJNU-RYG](#) [LR4-302LJNW-RYG](#) [LR4-302QJBW-RYG](#) [LR4-](#)  
[302QJNW-RYG](#) [LR4-302WJBU-RYG](#) [LR4-302WJBW-RYG](#) [LR4-302WJNU-RYG](#) [LR4-302WJNW-RYG](#) [LR4-402LJBW-RYGB](#) [LR4-BU](#)  
[LR4-BW](#) [LR4-E-B](#) [LR4-E-C](#) [LR4-E-G](#) [LR4-E-R](#)