

|                         |
|-------------------------|
| <h1>SPECIFICATIONS</h1> |
|-------------------------|

[General Specifications]

| Model                         | PFH-BT-R  | PFH-BT-Y           |
|-------------------------------|---|--------------------|
| Color                         | Red   | Amber              |
| Rated Voltage                 | 6VDC (4 - LR6 Alkaline dry cell batteries)  |                    |
| Operating Ambient Temperature | - 10 °C to + 50°C (Battery is removed)  |                    |
| Operating Ambient Humidity    | Less than 90 %RH No condensation (Battery is removed)   |                    |
| Storage Ambient Temperature   | - 30 °C to + 60 °C (Battery is removed)   |                    |
| Storage Ambient Humidity      | Less than 90%RH No condensation (Battery is removed)  |                    |
| Mounting Location             | Indoors and Outdoors  |                    |
| Mounting Direction            | Upright ,Sideways (Power Switch is downward)  |                    |
| Protection Rating             | IP 55 (IEC 60529)   |                    |
| Environmental Condition       | Upright   |                    |
| Flashing Mode                 | Power Mode / Eco Mode   |                    |
| Flashing Pattern              | Double-flash / Single-flash   |                    |
| Peak luminous Intensity(Typ.) | 40cd (Power Mode)   | 140cd (Power Mode) |
| Mass (Tolerance ±10%)         | 0.51 kg (Not including battery)   |                    |
| Battery Lifespan              | Power Mode:24hrs. *1 *2<br>Eco Mode:100hrs. *1 *2   |                    |
| Outer Dimensions              | Refer to the Outer Dimension Drawing  |                    |
| Conformity Standards          | RoHS Directive (EN IEC 63000)<br>EMC Directive (EN 61000-6-4, EN 61000-6-2)   |                    |
| Remarks                       | <p>*1 Battery lifespan changes drastically, based on the operating environment conditions.<br/>*2 The data is based on ambient temperature of 25 °C, alkaline dry cell , and flash pattern set at double flash.</p> <p>CE Marking</p> |                    |

1

2

3

4

A

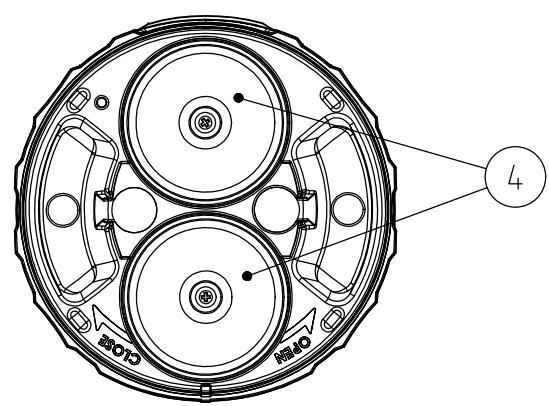
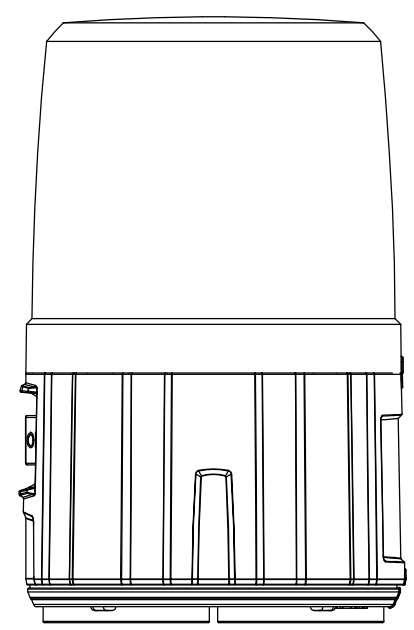
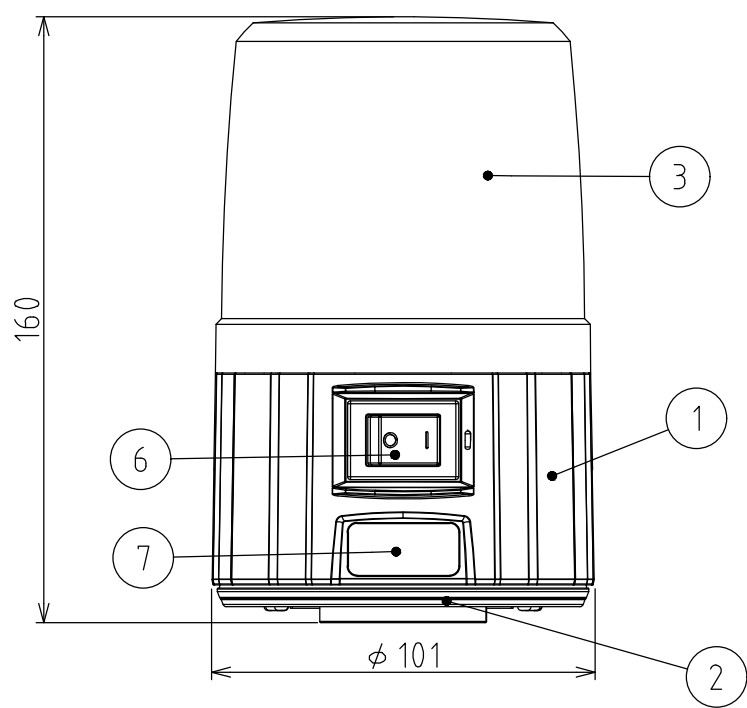
B

C

D

E

F



1

2

3

4

## X-ON Electronics

Largest Supplier of Electrical and Electronic Components

*Click to view similar products for [Patlite](#) manufacturer:*

Other Similar products are found below :

[LA6-3DTNWB-RYG](#) [LR4-302QJBW-RYG](#) [LR6-E-B](#) [LR7-02WTNU](#) [NH-WST](#) [VSST-LR6-502LJBW-RYGBC](#) [NE-ILTB-M](#) [NE-ILXB-M](#)  
[NE-M1ANN-M](#) [NE-M1ATB-M](#) [NE-24A-R](#) [WME-402DFB-RYGB](#) [PFH-BT-R](#) [PFH-BT-Y](#) [WEP-302-RYG](#) [WEP-302FB-RYG](#) [WEP-402FB-RYGB](#) [WEP-502-RYGBC](#) [CLA1S-24A-CD-30](#) [CLA2S-24A-CD-30](#) [CLA3S-24A-CD-30](#) [CLK3C-24AG-CD](#) [CLN-24A-CD-PT](#)  
[CLN-24A-CD-T](#) [CWF3S-24-CD](#) [CWK2S-24-CD](#) [CWK3C-24-CD+FL008](#) [CWK3S-24-CD](#) [CWK6S-24-CD](#) [LA6-3DTNUB-RYG](#) [LA6-3DTNUN-RYG](#) [LA6-5DTNUB-RYGBC](#) [LA6-5DTNUN-RYGBC](#) [LA6-5DTNWB-RYGBC](#) [LFH-24-R](#) [LFH-24-Y](#) [LR4-302QJNW-RYG](#)  
[LR4-402LJBW-RYGB](#) [LR5-02KTNK](#) [LR5-02KTNU](#) [LR5-02KTNW](#) [LR5-02WTNW](#) [LR6-202WJBW-RG](#) [LR6-302PJBU-RYG](#) [LR6-302WJBU-RYG](#) [LR6-302WJNU-RYG](#) [LR6-302WJNW-RYG](#) [LR6-3USBK-RYG](#) [LR6-3USBW-RYG](#) [LR6-402WJBW-RYGB](#)