

SPECIFICATIONS

[General Specifications]

Model	PFH-BT-R	PFH-BT-Y
Color	Red	Amber
Rated Voltage	6VDC (4 - LR6 Alkaline dry cell batteries)	
Operating Ambient Temperature	- 10 °C to + 50°C (Battery is removed)	
Operating Ambient Humidity	Less than 90 %RH No condensation (Battery is removed)	
Storage Ambient Temperature	- 30 °C to + 60 °C (Battery is removed)	
Storage Ambient Humidity	Less than 90%RH No condensation (Battery is removed)	
Mounting Location	Indoors and Outdoors	
Mounting Direction	Upright ,Sideways (Power Switch is downward)	
Protection Rating	IP 55 (IEC 60529)	
Environmental Condition	Upright	
Flashing Mode	Power Mode / Eco Mode	
Flashing Pattern	Double-flash / Single-flash	
Peak luminous Intensity(Typ.)	40cd (Power Mode)	140cd (Power Mode)
Mass (Tolerance ±10%)	0.51 kg (Not including battery)	
Battery Lifespan	Power Mode:24hrs. *1 *2 Eco Mode:100hrs. *1 *2	
Outer Dimensions	Refer to the Outer Dimension Drawing	
Conformity Standards	RoHS Directive (EN IEC 63000) EMC Directive (EN 61000-6-4, EN 61000-6-2)	
Remarks	<p>*1 Battery lifespan changes drastically, based on the operating environment conditions. *2 The data is based on ambient temperature of 25 °C, alkaline dry cell , and flash pattern set at double flash.</p> <p>CE Marking</p>	

1

2

3

4

A

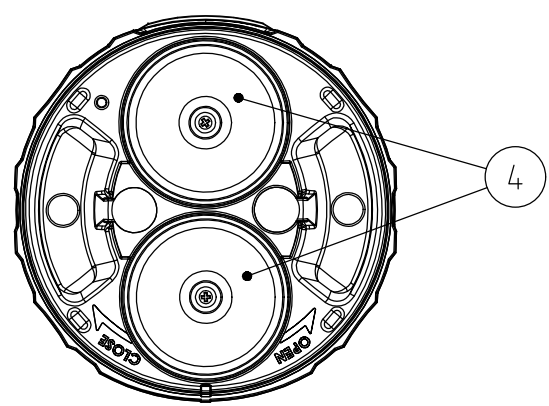
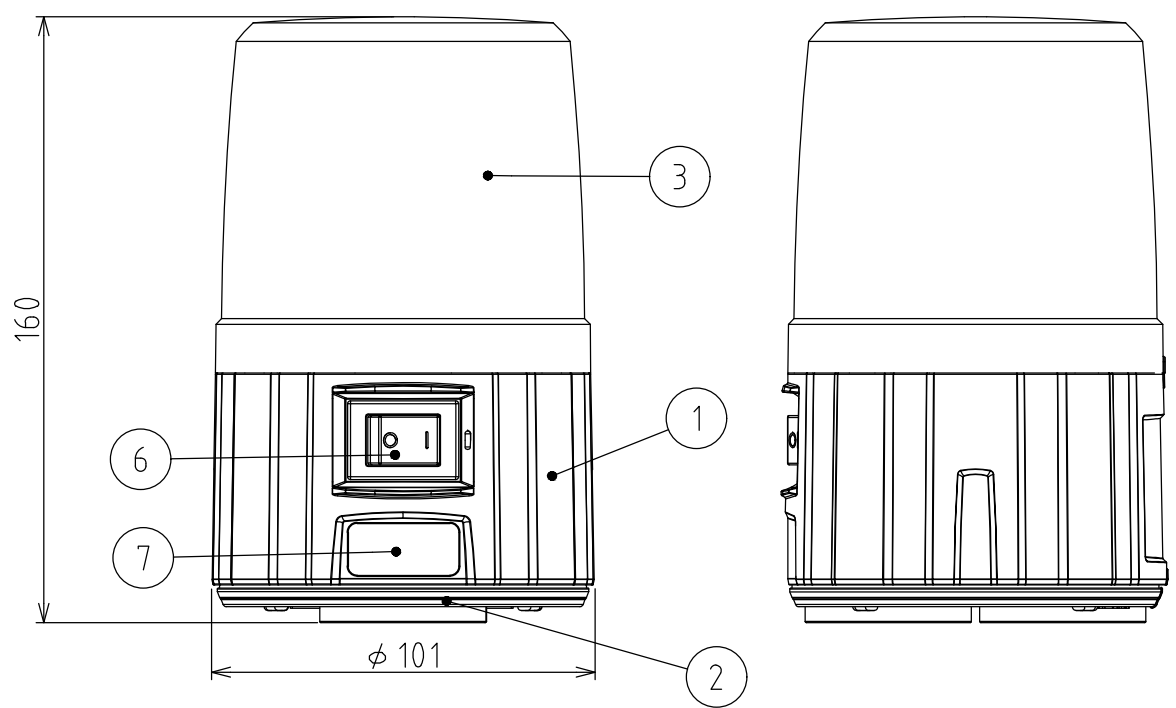
B

C

D

E

F



1

2

3

4

X-ON Electronics

Largest Supplier of Electrical and Electronic Components

Click to view similar products for [Patlite](#) manufacturer:

Other Similar products are found below :

[LA6-3DTNWB-RYG](#) [LR4-302QJBW-RYG](#) [LR6-E-B](#) [LR7-02WTNU](#) [NH-WST](#) [VSST-LR6-502LJBW-RYGBC](#) [NE-ILTB-M](#) [NE-ILXB-M](#)
[NE-M1ANN-M](#) [NE-M1ATB-M](#) [NE-24A-R](#) [WME-402DFB-RYGB](#) [PFH-BT-R](#) [PFH-BT-Y](#) [WEP-302-RYG](#) [WEP-302FB-RYG](#) [WEP-402FB-RYGB](#) [WEP-502-RYGBC](#) [CLA1S-24A-CD-30](#) [CLA2S-24A-CD-30](#) [CLA3S-24A-CD-30](#) [CLK3C-24AG-CD](#) [CLN-24A-CD-PT](#)
[CLN-24A-CD-T](#) [CWF3S-24-CD](#) [CWK2S-24-CD](#) [CWK3C-24-CD+FL008](#) [CWK3S-24-CD](#) [CWK6S-24-CD](#) [LA6-3DTNUB-RYG](#) [LA6-3DTNUN-RYG](#) [LA6-5DTNUB-RYGBC](#) [LA6-5DTNUN-RYGBC](#) [LA6-5DTNWB-RYGBC](#) [LFH-24-R](#) [LFH-24-Y](#) [LR4-302QJNW-RYG](#)
[LR4-402LJBW-RYGB](#) [LR5-02KTNK](#) [LR5-02KTNU](#) [LR5-02KTNW](#) [LR5-02WTNW](#) [LR6-202WJBW-RG](#) [LR6-302PJBU-RYG](#) [LR6-302WJBU-RYG](#) [LR6-302WJNU-RYG](#) [LR6-302WJNW-RYG](#) [LR6-3USBK-RYG](#) [LR6-3USBW-RYG](#) [LR6-402WJBW-RYGB](#)