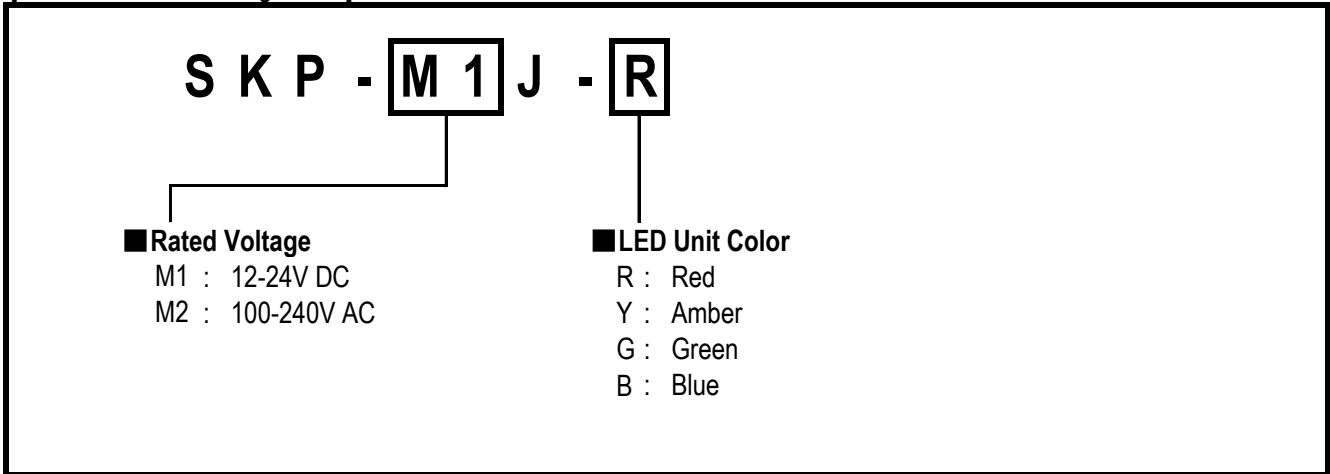


SPECIFICATIONS

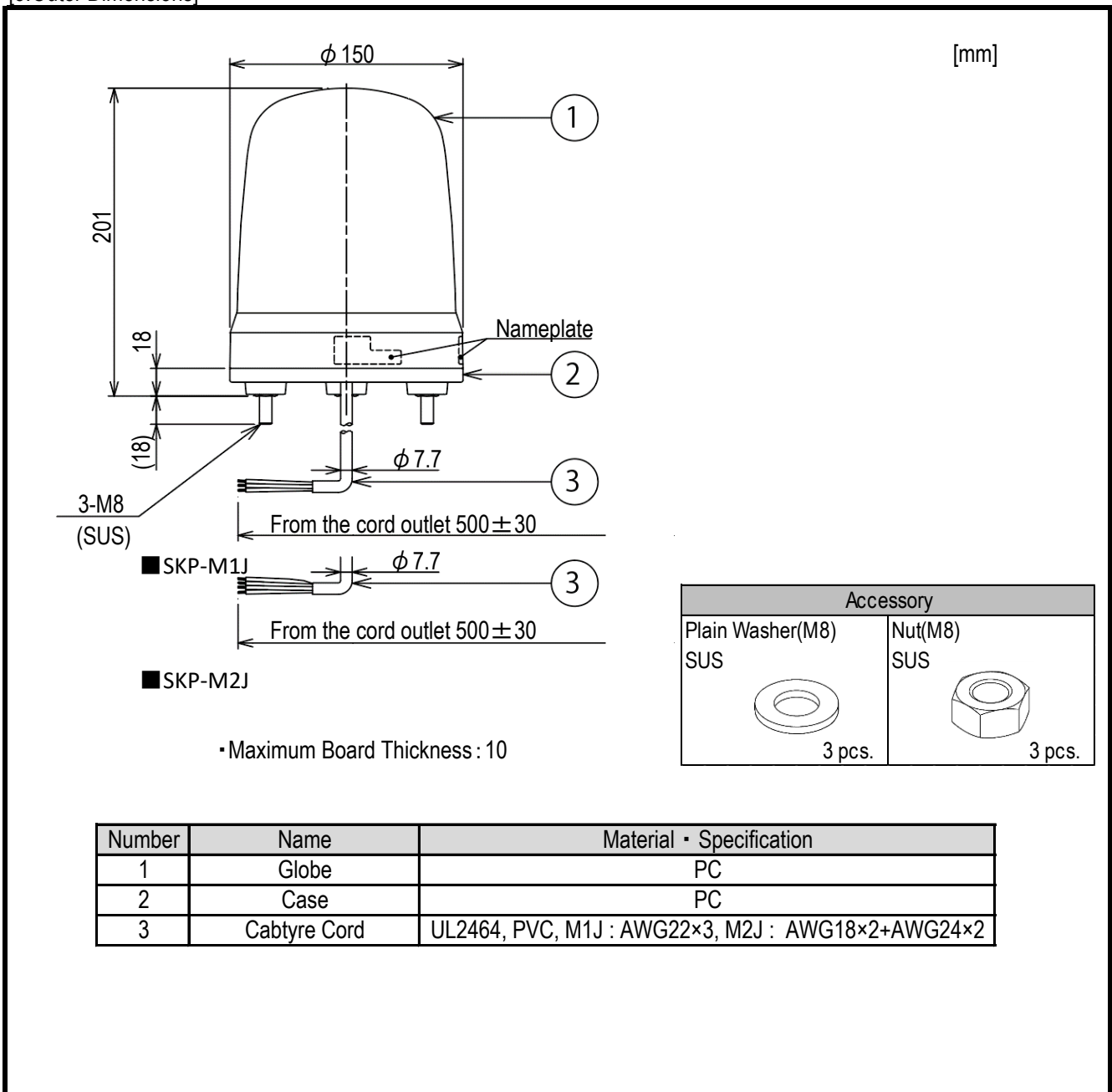
[1. General Specifications]

| Product Name | | Rotating Beacons | | | |
|-------------------------------|-----------------------|---|--------|---|---------|
| Model | | SKP-M1J-□ | | SKP-M2J-□ | |
| Rated Voltage | | 12-24V DC | | 100-240V AC (50/60Hz) | |
| Operating Voltage Range | | 10-30V DC | | 90-250V AC | |
| Rated Current Consumption | | 12V DC | 24V DC | 100V AC | 240V AC |
| | Max. | 0.21A | 0.12A | 0.07A | 0.04A |
| Rated Power Consumption | | | | 3.0W | |
| | Max. | 2.5W | 2.9W | | |
| Operating Ambient Temperature | | -10°C to +50°C | | | |
| Operating Ambient Humidity | | Less than 90 % (No condensation) | | | |
| Storage Ambient Temperature | | -20°C to +60°C | | | |
| Storage Ambient Humidity | | Less than 90 % (No condensation) | | | |
| Mounting Location | | Indoor/Outdoor | | | |
| Mounting Direction | | Indoor : Upright, Inverted & Sideways Outdoor : Upright | | | |
| Protection Rating | | IP23 | | | |
| Environmental Condition | | Upright | | | |
| Insulation Resistance | | More than 1MΩ at 500V DC between live part and non-current carrying metallic part | | More than 3MΩ at 500V DC between live part and non-current carrying metallic part | |
| Withstand Voltage | | 500V AC applied for 1min between live part and non-current carrying metallic part without breaking insulation | | 4,000V AC applied for 1min between live part and non-current carrying metallic part without breaking insulation | |
| Mass (Typ.) | | 0.67kg | | 0.70kg | |
| Flashing Rate (Typ.) | | 120 rpm | | | |
| Conformity Standards | UL | UL508, CSA-C22.2 No.14 (UL File No.E215660) | | | |
| | EMC Directive | EN61000-6-4 | | EN61000-6-4, EN61000-6-2 | |
| | | EN61000-6-2 | | EN61000-3-2, EN61000-3-3 | |
| | KC | KN61000-6-4, KN61000-6-2 | | | |
| | FCC | FCC Part15 SubpartB ClassA, ICES-003 ClassA | | | |
| | RoHS Directive | EN IEC 63000 | | | |
| | Low Voltage Directive | | | IEC/EN60947-5-1, EN62471 | |
| | EAC | TPTC020/2011 | | TPTC020/2011, TPTC004/2011 | |
| | | UL, Low Voltage Directive, and EAC have been evaluated for use in indoor industrial control equipment. | | | |
| Remarks | | <p>Due to the characteristics of the LED elements, there may be a slight variation in color tone and brightness between products.</p> <p>CE Marking</p> | | | |

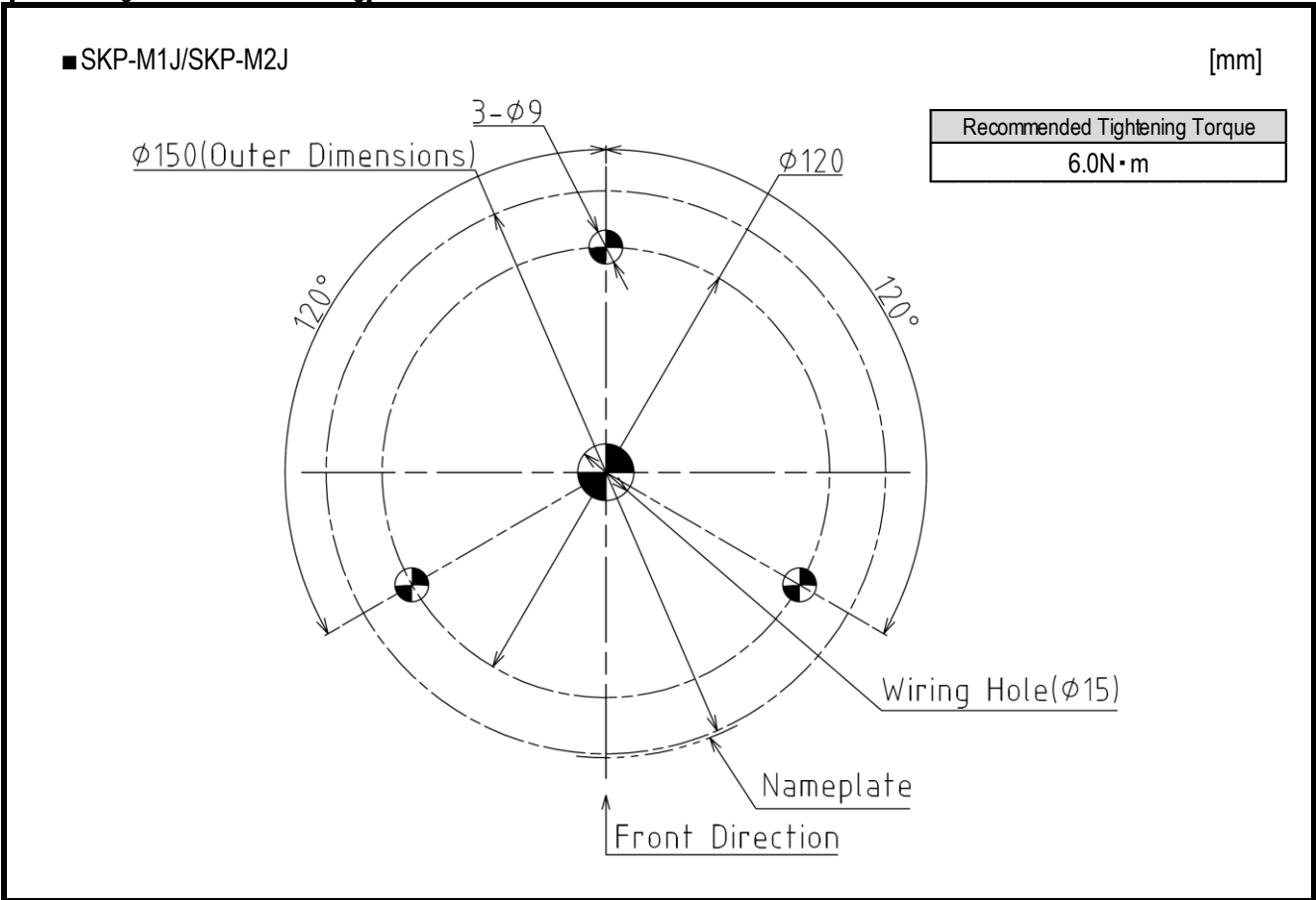
[2.Model Number Configuration]



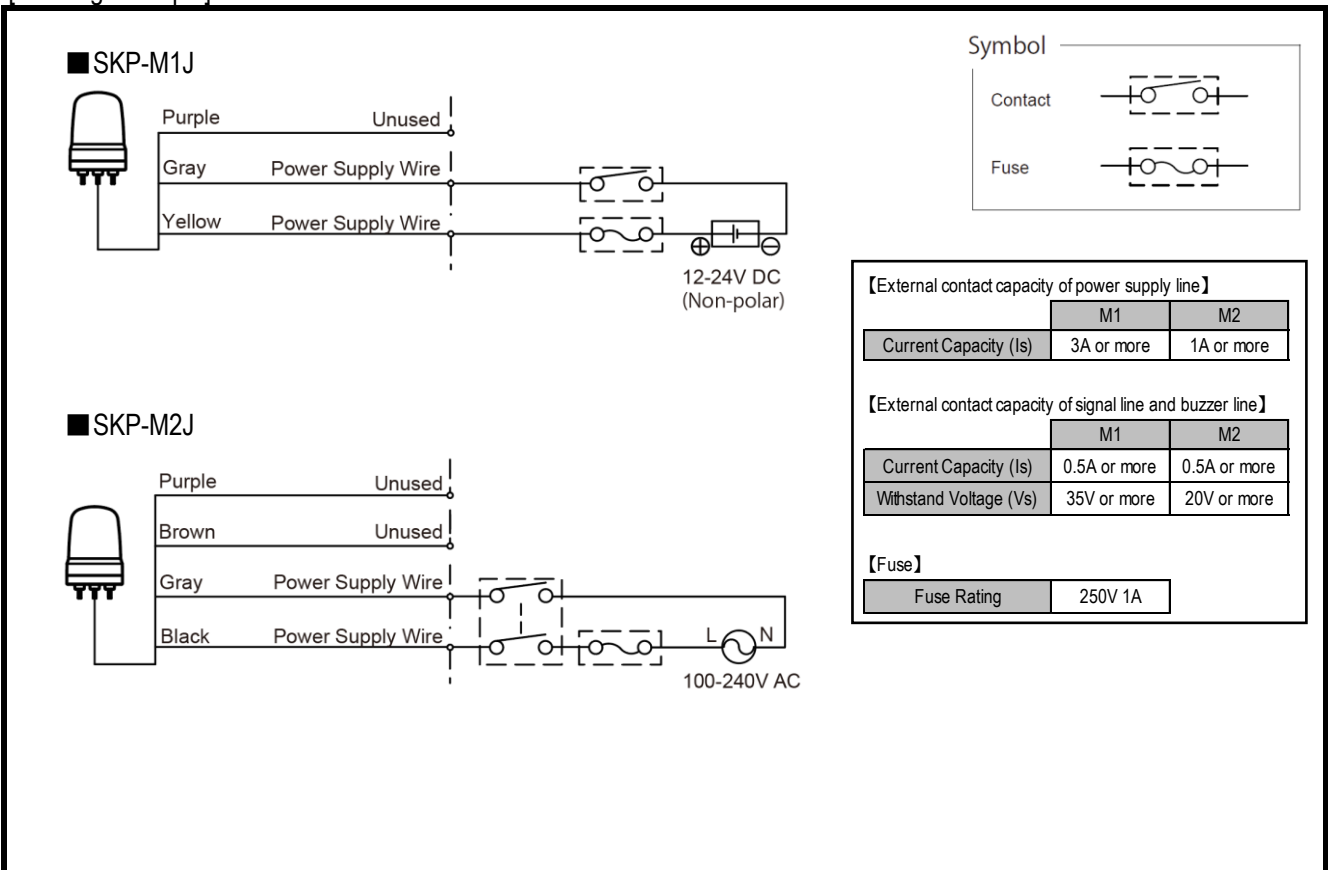
[3.Outer Dimensions]



[4. Mounting Dimensional Drawing]



[5. Wiring Example]



X-ON Electronics

Largest Supplier of Electrical and Electronic Components

Click to view similar products for [Patlite](#) manufacturer:

Other Similar products are found below :

[LA6-3DTNWB-RYG](#) [LR4-302QJBW-RYG](#) [LR6-E-B](#) [LR7-02WTNU](#) [NH-WST](#) [VSST-LR6-502LJBW-RYGBC](#) [NE-ILTB-M](#) [NE-ILXB-M](#)
[NE-M1ANN-M](#) [NE-M1ATB-M](#) [NE-24A-R](#) [WME-402DFB-RYGB](#) [PFH-BT-R](#) [PFH-BT-Y](#) [WEP-302-RYG](#) [WEP-302FB-RYG](#) [WEP-402FB-RYGB](#) [WEP-502-RYGBC](#) [CLA1S-24A-CD-30](#) [CLA2S-24A-CD-30](#) [CLA3S-24A-CD-30](#) [CLK3C-24AG-CD](#) [CLN-24A-CD-PT](#)
[CLN-24A-CD-T](#) [CWF3S-24-CD](#) [CWK2S-24-CD](#) [CWK3C-24-CD+FL008](#) [CWK3S-24-CD](#) [CWK6S-24-CD](#) [LA6-3DTNUB-RYG](#) [LA6-3DTNUN-RYG](#) [LA6-5DTNUB-RYGBC](#) [LA6-5DTNUN-RYGBC](#) [LA6-5DTNWB-RYGBC](#) [LFH-24-R](#) [LFH-24-Y](#) [LR4-302QJNW-RYG](#)
[LR4-402LJBW-RYGB](#) [LR5-02KTNK](#) [LR5-02KTNU](#) [LR5-02WTNW](#) [LR6-202WJBW-RG](#) [LR6-302PJBU-RYG](#) [LR6-302WJBU-RYG](#) [LR6-302WJNU-RYG](#) [LR6-302WJNW-RYG](#) [LR6-3USBK-RYG](#) [LR6-3USBW-RYG](#) [LR6-402WJBW-RYGB](#) [LR6-E-C](#)