

SPECIFICATIONS

[1.General Specifications]

Product Name		Flashing Beacons			
Model		SL15-M1□□N-□		SL15-M2□□N-□	
Rated Voltage		12-24V DC		100-240V AC (50/60Hz)	
Operating Voltage Range		10-30V DC		90-250V AC	
Rated Current Consumption		12V DC	24V DC	100V AC	240V AC
	Max.	0.40A	0.20A	0.14A	0.06A
Rated Power Consumption		4.8W		5.6W	
	Max.	4.8W		5.6W	
Operating Ambient Temperature		-20°C to +50°C			
Operating Ambient Humidity		Less than 90 % (No condensation)			
Storage Ambient Temperature		-30°C to +60°C			
Storage Ambient Humidity		Less than 90 % (No condensation)			
Mounting Location		Indoor/Outdoor			
Mounting Direction		Indoor : Upright, Inverted & Sideways Outdoor : Upright			
Protection Rating		SL15-M□JN	IP23		
		SL15-M□KTN	IP66/NEMA TYPE 4X,13		
Environmental Condition		Upright			
Insulation Resistance		More than 1MΩ at 500V DC between live part and non-current carrying metallic part		More than 3MΩ at 500V DC between live part and non-current carrying metallic part	
Withstand Voltage		500V AC applied for 1min between live part and non-current carrying metallic part without breaking insulation		4,000V AC applied for 1min between live part and non-current carrying metallic part without breaking insulation	
Mass (Typ.)		SL15-M1JN	0.86kg	SL15-M2JN	0.89kg
		SL15-M1KTN	0.86kg	SL15-M2KTN	0.89kg
Flashing Rate (Typ.)		Blinking (180 flashes per minute), Triple-flash(120 flashes per minute)			
Conformity Standards	UL	UL508, CSA-C22.2 No.14 (UL File No.E215660)			
	EMC Directive	EN61000-6-4		EN61000-6-4, EN61000-6-2	
		EN61000-6-2		EN61000-3-2, EN61000-3-3	
	KC	KN61000-6-4, KN61000-6-2			
	FCC	FCC Part15 SubpartB ClassA, ICES-003 ClassA			
	RoHS Directive	EN IEC 63000			
	Low Voltage Directive			IEC/EN60947-5-1,EN62471	
EAC	TPTC020/2011		TPTC020/2011, TPTC004/2011		
		UL, Low Voltage Directive, and EAC have been evaluated for use in indoor industrial control equipment.			
Remarks		Due to the characteristics of the LED elements, there may be a slight variation in color tone and brightness between products. CE Marking			

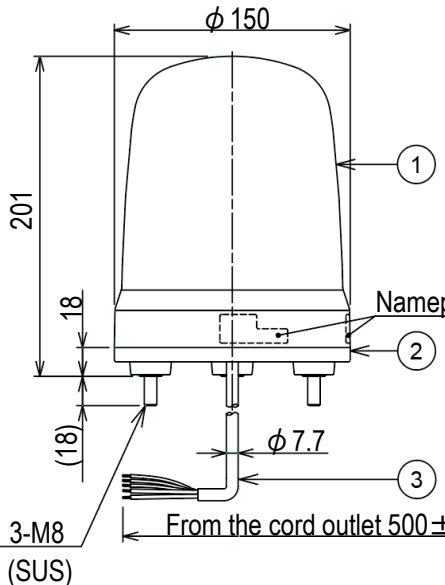
[2.Model Number Configuration]

S L 1 5 - M 1 K T N - R

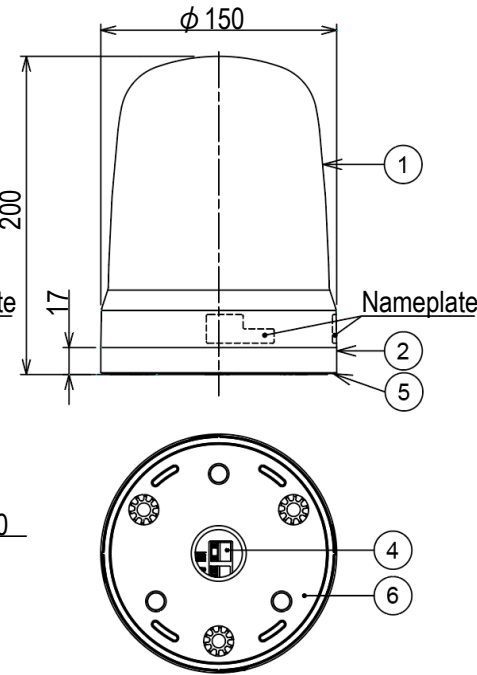
<p>■ Rated Voltage</p> <p>M1 : 12-24V DC M2 : 100-240V AC</p>	<p>■ Installation • Wiring</p> <p>J : 3-screw Mounting • Cabtyre Cord KT : 2-point Hole Type Mounting • Terminal Block</p>	<p>■ LED Unit Color</p> <p>R : Red Y : Amber G : Green B : Blue</p>
--	---	--

[3.Outer Dimensions]

■ SL15-M1JN/SL15-M2JN

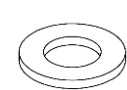
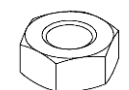


■ SL15-M1KTN/SL15-M2KTN



[mm]

• Maximum Board Thickness : 10

Accessory(Only SL15-M□JN)	
Plain Washer(M8) SUS  3 pcs.	Nut(M8) SUS  3 pcs.

Screw Hole Thickness of Mounting Bracket	Nominal Diameter
4.8	M8

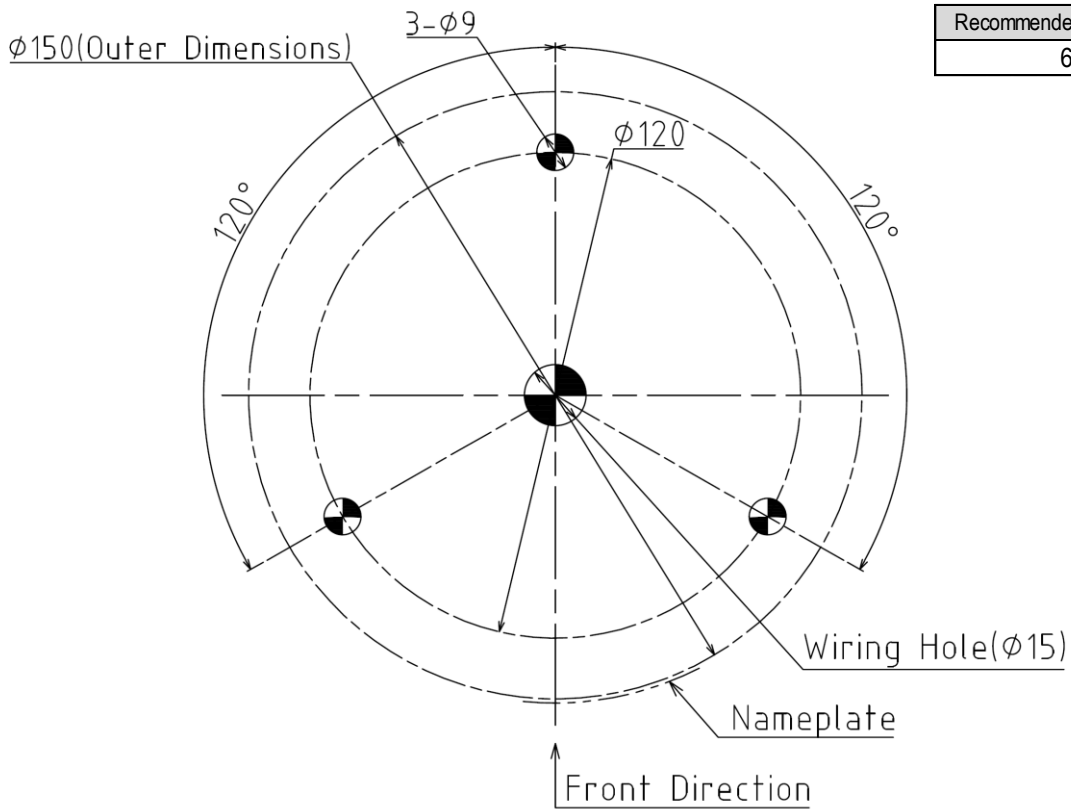
Number	Name	Material • Specification
1	Globe	PC
2	Case	PC
3	Cabtyre Cord	UL2464, PVC, M1JN : AWG22×5, M2JN : AWG18×2+AWG24×3
4	Terminal Block	LCP GF, Applicable Wire Size Solid Wire : 0.13-1.5mm ² , Stranded Wire : AWG28-14
5	Mounting Bracket	PC
6	Waterproof Sheet	Silicone

Drawing No.	Rev.	Page
SL15-M1JN-W18	E	3 / 4

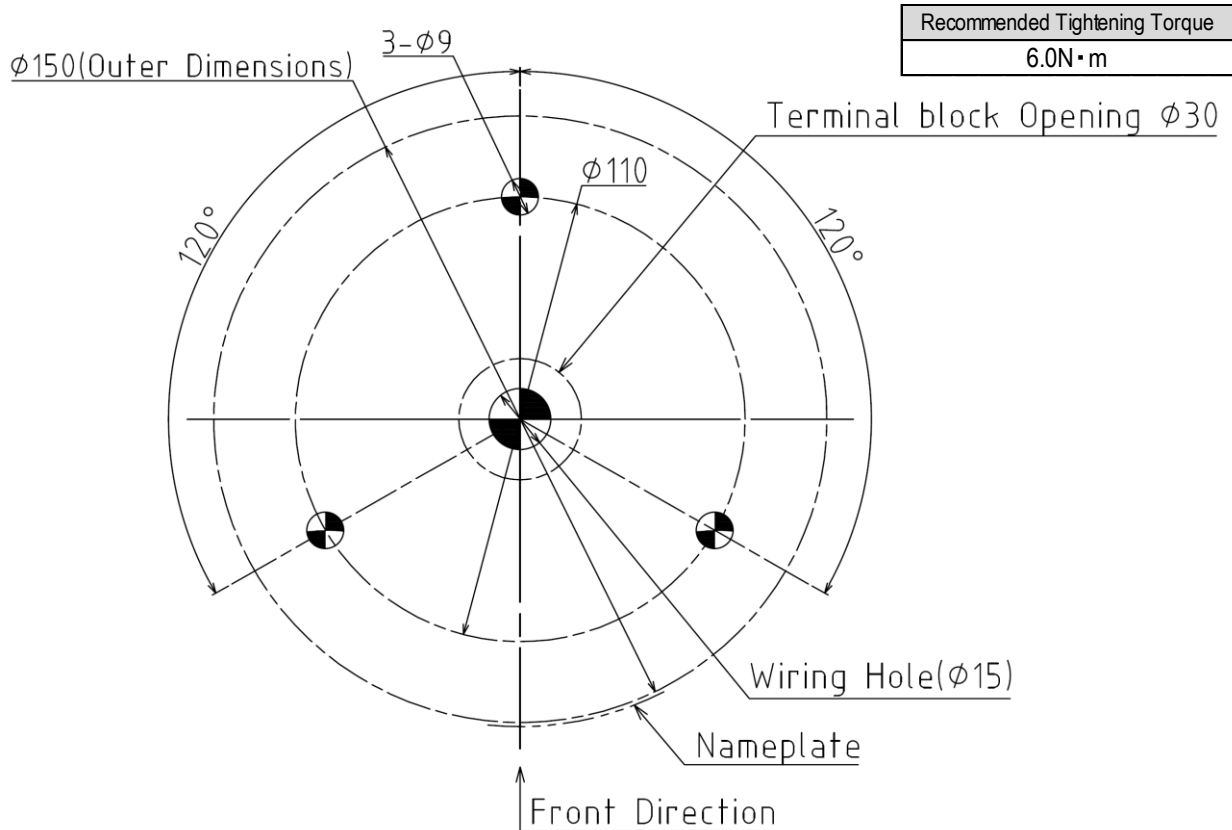
[4.Mounting Dimensional Drawing]

[mm]

■ SL15-M1JN/SL15-M2JN

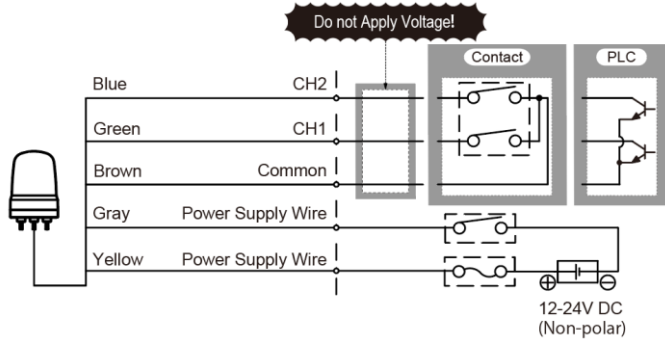


■ SL15-M1KTN/SL15-M2KTN

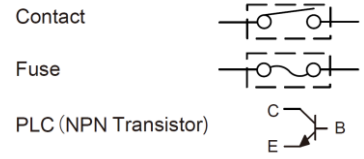


[5.Wiring Example]

■ SL15-M1JN



Symbol



【External contact capacity of power supply line】

	M1	M2
Current Capacity (Is)	3A or more	1A or more

【External contact capacity of signal line and buzzer line】※1

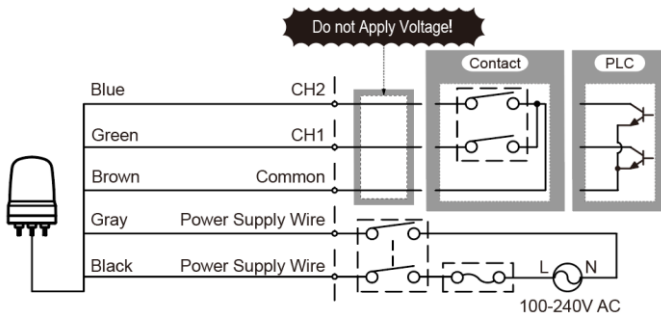
	M1	M2
Current Capacity (Is)	10mA or more	10mA or more
Withstand Voltage (Vs)	20V or more	20V or more
Leakage Current (IL)	0.1mA or less	0.1mA or less

※1 When using NPN transistor open collector.

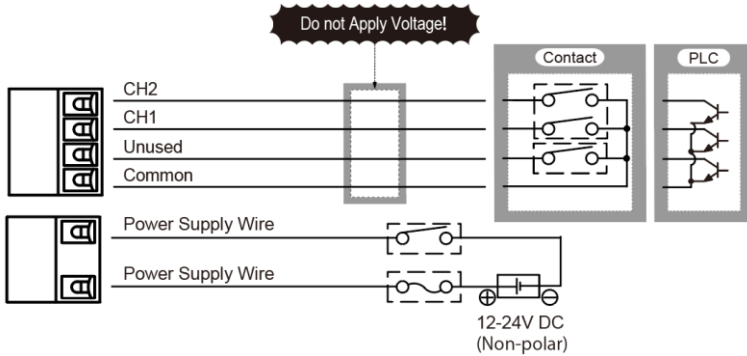
【Fuse】

Fuse Rating	250V 1A
-------------	---------

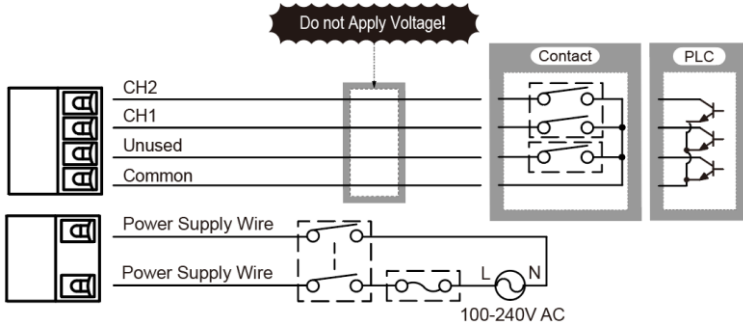
■ SL15-M2JN



■ SL15-M1KTN



■ SL15-M2KTN



■ Flash Pattern List

Wiring 【CH1/CH2】			
CH1 OFF/CH2 OFF	CH1 ON/CH2 OFF	CH1 OFF/CH2 ON	CH1 ON/CH2 ON
Off	Continuous	Blinking	Triple-flash

X-ON Electronics

Largest Supplier of Electrical and Electronic Components

Click to view similar products for [Patlite manufacturer](#):

Other Similar products are found below :

[BDV-15JF-K](#) [BSV-24P-D](#) [BSV-24P-W](#) [CLA1S-24A-CD-30](#) [CLA2S-24A-CD-30](#) [CLA3S-24A-CD-30](#) [CLA3S-24-CD](#) [CLK3C-24AG-CD](#)
[CLN-24A-CD-PT](#) [CLN-24A-CD-T](#) [CWF-001](#) [CWF-002](#) [CWF3S-24-CD](#) [CWK2S-24-CD](#) [CWK3C-24-CD+FL008](#) [CWK3S-24-CD](#) [CWK6S-24-CD](#) [EHS-M1TE](#) [EHV-M1TG](#) [LA6-3DTNUB-RYG](#) [LA6-3DTNUN-RYG](#) [LA6-3DTNWB-RYG](#) [LA6-5DTNUB-RYGBC](#) [LA6-5DTNUN-RYGBC](#) [LA6-5DTNWB-RYGBC](#) [LFH-24-R](#) [LFH-24-Y](#) [LR4-02LJNU](#) [LR4-02LJNW](#) [LR4-02PJNU](#) [LR4-02QJNW](#) [LR4-02WJNU](#) [LR4-02WJNW](#) [LR4-202LJBW-RG](#) [LR4-302LJBU-RYG](#) [LR4-302LJBW-RYG](#) [LR4-302LJNU-RYG](#) [LR4-302LJNW-RYG](#) [LR4-302QJBW-RYG](#) [LR4-302QJNW-RYG](#) [LR4-302WJBU-RYG](#) [LR4-302WJBW-RYG](#) [LR4-302WJNU-RYG](#) [LR4-302WJNW-RYG](#) [LR4-402LJBW-RYGB](#)
[LR4-BU](#) [LR4-BW](#) [LR4-E-B](#) [LR4-E-C](#) [LR4-E-G](#)