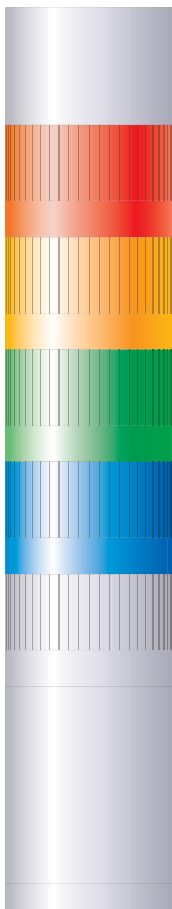


# PATLITE®



Thank you very much for purchasing our PATLITE product.

## Notice to Customer

- Request the installation and wiring be performed by a professional contractor if construction work is involved.
- Prior to installation, read this manual thoroughly before using this product to ensure correct use.
- After reviewing this manual, if there are any questions regarding this product, please contact the nearest PATLITE office listed on the back cover of this manual.

## Notice to Contractor

- Read this manual carefully prior to installation.
- Be sure to return this manual to the customer.

## Signal Tower

### TYPE LR4 / LR5 /

### LR6 / LR7

## Complete Operation Manual

Installation

Operation

Maintenance

|                                   | Page |
|-----------------------------------|------|
| 1 Safety Precautions              | 2    |
| 2 Model Number Configuration      | 3    |
| 3 Part Names and Outer Appearance | 4    |
| 4 How to Install                  | 13   |
| 5 Wiring                          | 15   |
| 6 Buzzer Pattern Set-up           | 19   |
| 7 How to use the Tilt Bracket     | 20   |
| 8 Unit Detachment Method          | 21   |
| 9 Troubleshooting                 | 33   |
| 10 Specifications                 | 34   |
| 11 Replacement Parts              | 37   |
| 12 Optional Parts                 | 39   |

# 1 Read this First

## NOTES TO BE OBSERVED FOR SAFE OPERATION

In order to prevent any damage to the user and other personnel or to assets, note the following:

- The indications for warning are divided into the following classes according to the degree of danger or damage incurred when the warning is not taken into consideration and the product is not correctly used.

### Warning

Indicates an imminently dangerous condition: failure to follow the instructions may lead to death or serious injury.

### Caution

Indicates a potentially dangerous condition: failure to follow the instructions may lead to slight injury or property damage.

### Warning

- To prevent from **short-circuits, electric shock or damage**, observe the following:
  - Be sure **the power is disconnected** before replacement or repair, including the replacement of the fuse.
  - Use this product in a **properly maintained condition**. (Replace or repair if the body, LED unit, etc. are damaged.)
- Request the installation and wiring be performed by a **professional contractor** if construction work is involved. Failure to comply may result in **fire, electric shock or falling from high places possible cause of failure may occur**.

### Caution

- **Avoid long exposure to the Buzzer sound from a close distance**. Failure to observe this may lead from irritation to permanent damage to the ears. ( **B** With Flashing/Buzzer )
- In order to maintain protection of this product against dust and waterproofing performance, **be sure to use the head cover, LED unit and buzzer unit in the condition that it was originally attached**.
- **Do not operate this product without** the O-ring or the waterproof packing material. Failure to comply will result in lower waterproofing performance. Possible cause of failure may occur.
- **Do not apply a voltage to any signal lines, other than Flashing Common ( **01** , **02** ) and source line ( **M2** )**. Product failure will occur.
- When removing covers or packing from the equipment, which is attached to this product, be careful **not to snag** the product. Failure to comply may result in damage to the product.

### Notice

- To ensure proper safety while using the signal tower, observe the following:
  - Perform **periodic pre-maintenance**.
  - As a precaution against problems occurring, **use this product together with other equipment**.
- **Be sure to discharge any static electricity** from the body before handling static sensitive parts of this product. (To prevent damage from static electricity, touch hands or other body parts to metals or an earth ground to discharge the body from static charge.)
- Use a soft cloth moistened with water when the LED Unit or body must be cleaned up. (Do not use thinner, benzine, gasoline or oil.)
- To ensure safety when this product is installed onto equipment, observe the following:
  - Do not remove parts** beyond those designed to be removed from this product.
  - Do not modify or disassemble** this product.
  - Use only **the specified replacement parts** listed in comprehensive manual.

## 2 Model Number Configuration

|                | Series name | Size | Tiers | Rated Voltage | Mount Type Wiring Type | With or Without Flashing/Buzzer | Body Color | LED Unit Color |
|----------------|-------------|------|-------|---------------|------------------------|---------------------------------|------------|----------------|
| Assembly Model | <b>LR</b>   | ↓    | -     | ↓             | ↓                      | ↓                               | ↓          | <b>-RYGBC</b>  |

|                       |           |   |   |   |   |   |   |  |
|-----------------------|-----------|---|---|---|---|---|---|--|
| Unit Model(Body Unit) | <b>LR</b> | ↓ | - | ↓ | ↓ | ↓ | ↓ |  |
|-----------------------|-----------|---|---|---|---|---|---|--|

|               |               |
|---------------|---------------|
| <b>4</b> φ 40 | <b>6</b> φ 60 |
| <b>5</b> φ 50 | <b>7</b> φ 70 |

**1 - 5** Tiers

**B** With Flashing/Buzzer<sup>※7</sup>  
**N** Without Flashing/Buzzer

**01** 12V DCV <sup>※1</sup>  
**02** 24V DC  
**M2** 100-240 V AC <sup>※2</sup>

**W** Off-White  
**U** Silver<sup>※8</sup>  
**K** Black<sup>※9</sup>

**WJ** Direct Mounting with Cable  
**LJ** Mounting Angle and Pole with Cable<sup>※3</sup>  
**PJ** Pole Bracket and pole with Cable <sup>※4</sup>  
**QJ** Tilt Bracket and pole with Cable <sup>※5</sup>  
**WT** Direct Mount with Terminal Block (Body Unit)<sup>※6</sup>

LED Color: R (Red)/Y (Amber) / G (Green)/B (Blue) /C (White) (From top to bottom)

- ※1 **LR5**
- ※2 **LR4•6 - WJ•PJ - W**
- ※3 **LR4•6 - 02** , **LR5 - 01•02**
- ※4 **LR4•5•6**
- ※5 **LR4•6 - 02 - W**
- ※6 **Body Unit LR5•7 - 02**
- ※7 **Assembly Unit**
- ※8 **LR4•6 - 02** , **LR5•7 - WT**
- ※9 **LR5•7 - WT**

### Model Number Example

#### **LR4-502PJBU-RYGBC**

- Φ40 ●LED 5 Tiers ●24 V DC ●Pole Bracket and polewith Cable
- With Flashing/Alarm ●Silver ●(From top) Red • Amber • Green • Blue • White

#### **LR5-301WJNW-RYG**

- Φ50 ●LED 3 Tiers ●12 V DC ●Direct Mounting with Cable connection
- Without Flashing/Alarm ●Off-white ●(From top) Red • Amber • Green

#### **LR6-M2LJNW**

- Φ60 ●100 ~ 240V AC ●Mounting Angle and Pole with Cable
- Without Flashing/Alarm ●Off-white

#### **LR7-02TWNK**

- Φ70 ●24 V DC ●Direct Mount with Terminal Block connection
- Without Flashing/Alarm ●Black

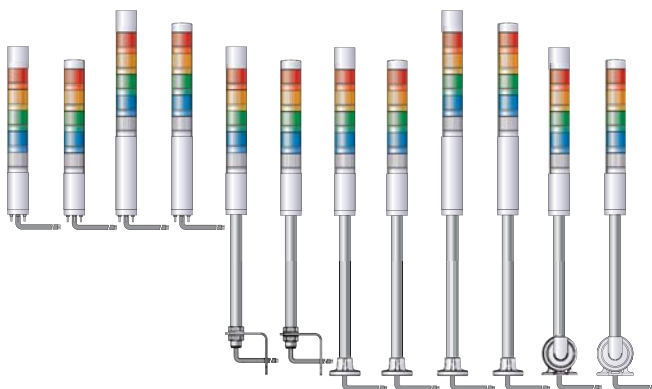
### 3 Part Names and Outer Appearance

#### Outer Appearance List

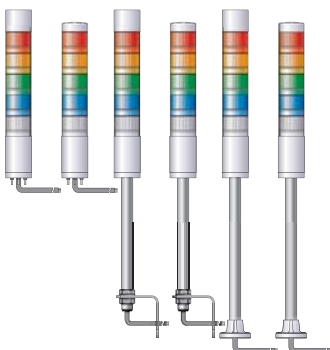
The full product appearance is indicated according to its model number. Refer to the model numbers as a reference to its appearance.  
(Body Color : Off-White)

#### Assembly Model

|                     |  |    |    |    |    |    |    |    |    |    |    |    |
|---------------------|--|----|----|----|----|----|----|----|----|----|----|----|
| Model               | LR4                                    |    |    |    |    |    |    |    |    |    |    |    |
| LED Tiers           | 1 Tier - 5 Tiers (Drawing is 5 Tiers.) |    |    |    |    |    |    |    |    |    |    |    |
| Rated Voltage       | 02                                     | M2 | 02 | M2 | 02 | M2 | 02 | M2 | 02 | M2 | 02 | M2 |
| Mount / Wiring Type | WJ                                     |    |    | LJ |    |    | PJ |    |    | QJ |    |    |
| Flashing / Buzzer   | B                                      | N  | B  | N  | B  | N  | B  | N  | B  | N  | B  | N  |

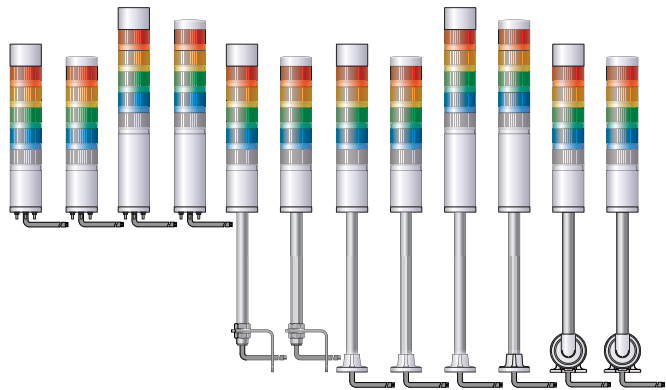


|                     |  |   |    |   |    |   |
|---------------------|--|---|----|---|----|---|
| Model               | LR5                                    |   |    |   |    |   |
| LED Tiers           | 1 Tier - 5 Tiers (Drawing is 5 Tiers.) |   |    |   |    |   |
| Rated Voltage       | 01 / 02                                |   |    |   |    |   |
| Mount / Wiring Type | WJ                                     |   | LJ |   | PJ |   |
| Flashing / Buzzer   | B                                      | N | B  | N | B  | N |

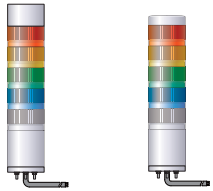




|                      |   |           |           |           |           |           |           |           |           |           |           |           |
|----------------------|---|-----------|-----------|-----------|-----------|-----------|-----------|-----------|-----------|-----------|-----------|-----------|
| Model                | <b>LR6</b>  |           |           |           |           |           |           |           |           |           |           |           |
| LED Tiers            | <b>1</b> Tier - <b>5</b> Tiers (Drawing is <b>5</b> Tiers.) |           |           |           |           |           |           |           |           |           |           |           |
| Rated Voltage        | <b>02</b>   | <b>M2</b> | <b>02</b> | <b>M2</b> | <b>02</b> | <b>M2</b> | <b>02</b> | <b>M2</b> | <b>02</b> | <b>M2</b> | <b>02</b> | <b>M2</b> |
| Mount / Wireing Type | <b>WJ</b>   |           |           | <b>LJ</b> |           |           | <b>PJ</b> |           |           | <b>QJ</b> |           |           |
| Flashing / Buzzer    | <b>B</b>  | <b>N</b>  | <b>B</b>  | <b>N</b>  | <b>B</b>  | <b>N</b>  | <b>B</b>  | <b>N</b>  | <b>B</b>  | <b>N</b>  | <b>B</b>  | <b>N</b>  |

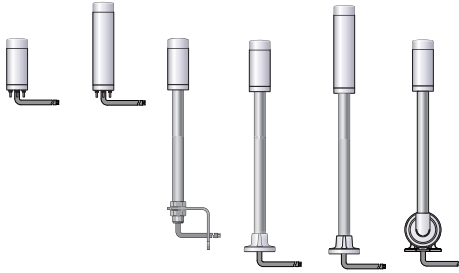


|                      |   |          |
|----------------------|---|----------|
| Model                | <b>LR7</b>  |          |
| LED Tiers            | <b>1</b> Tier - <b>5</b> Tiers (Drawing is <b>5</b> Tiers.) |          |
| Rated Voltage        | <b>02</b>   |          |
| Mount / Wireing Type | <b>WJ</b>   |          |
| Flashing / Buzzer    | <b>B</b>  | <b>N</b> |

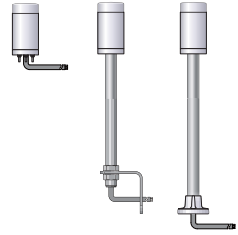


**Unit Model (Body Unit)**

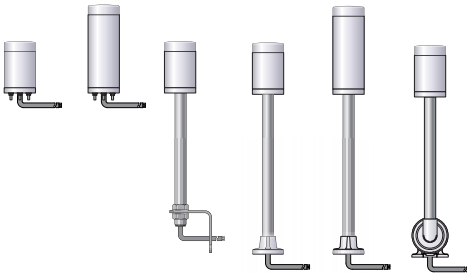
|                     |     |    |    |    |    |
|---------------------|-----|----|----|----|----|
| Model               | LR4 |    |    |    |    |
| Rated Voltage       | 02  | M2 | 02 | M2 | 02 |
| Mount / Wiring Type | WJ  | LJ | PJ | QJ |    |
| Flashing / Buzzer   | N   |    |    |    |    |



|                     |         |    |    |
|---------------------|---------|----|----|
| Model               | LR5     |    |    |
| Rated Voltage       | 01 / 02 |    |    |
| Mount / Wiring Type | WJ      | LJ | PJ |
| Flashing / Buzzer   | N       |    |    |



|                     |     |    |    |    |    |
|---------------------|-----|----|----|----|----|
| Model               | LR6 |    |    |    |    |
| Rated Voltage       | 02  | M2 | 02 | M2 | 02 |
| Mount / Wiring Type | WJ  | LJ | PJ | QJ |    |
| Flashing / Buzzer   | N   |    |    |    |    |



|                     |     |
|---------------------|-----|
| Model               | LR7 |
| Rated Voltage       | 02  |
| Mount / Wiring Type | WJ  |
| Flashing / Buzzer   | N   |



|                     |     |     |
|---------------------|-----|-----|
| Model               | LR5 | LR7 |
| Rated Voltage       | 02  |     |
| Mount / Wiring Type | WT  |     |
| Flashing / Buzzer   | N   |     |



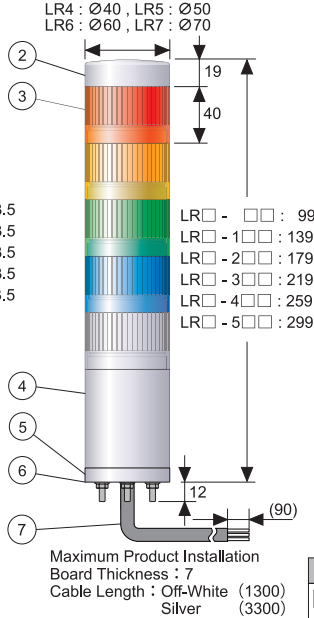
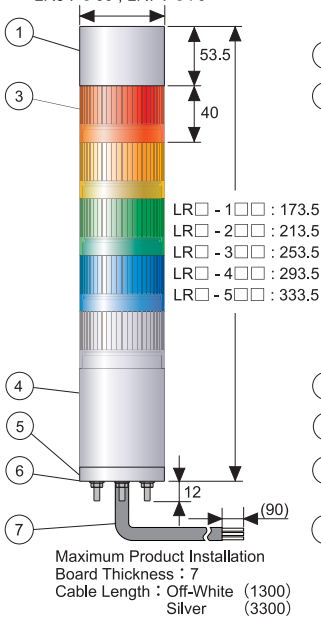
# Part Names and Dimensions

## ■ [WJ] Direct Mounting with Cable ( [01] , [02] )

(Unit : mm)

LR□ - □□□WJB□  
LR4 : Ø40 , LR5 : Ø50  
LR6 : Ø60 , LR7 : Ø70

LR□ - □□□WJN□





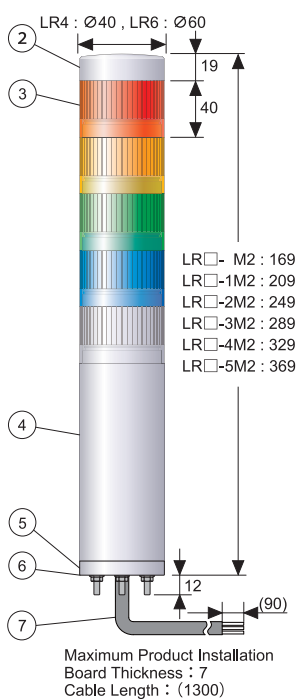
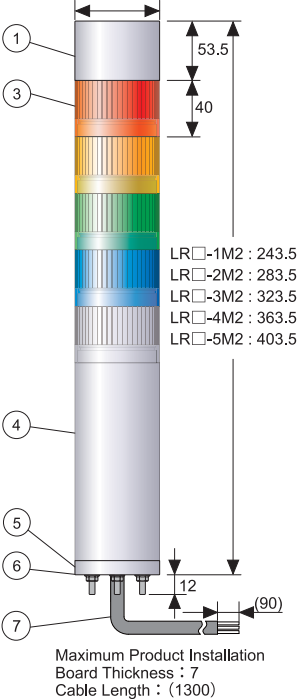
| No. | Name                 | Material        |
|-----|----------------------|-----------------|
| 1   | Buzzer Unit          | PC              |
| 2   | Head Cover           | PC              |
| 3   | LED Unit             | Globe : PC      |
| 4   | Body                 | PC              |
| 5   | Direct mount Bracket | PC              |
| 6   | Waterproof Packing   | Silicone Rubber |
| 7   | Cable                | PVC             |

## ■ [WJ] Direct Mounting with Cable ( [M2] )

LR□ - □M2WJBW  
LR4 : Ø40 , LR6 : Ø60

LR□ - □M2WJNW

| Accessory  |   |
|--|---|
| <b>LR4-5-WJ</b><br>Hexagon Nut with Flange (M3) <br>3pcs. | <b>LR6-7-WJ</b><br>Hexagon Nut with Flange (M4) <br>3pcs. |



■ **[LJ]** Mounting Angle and Pole with Cable ( **[01]** , **[02]** )

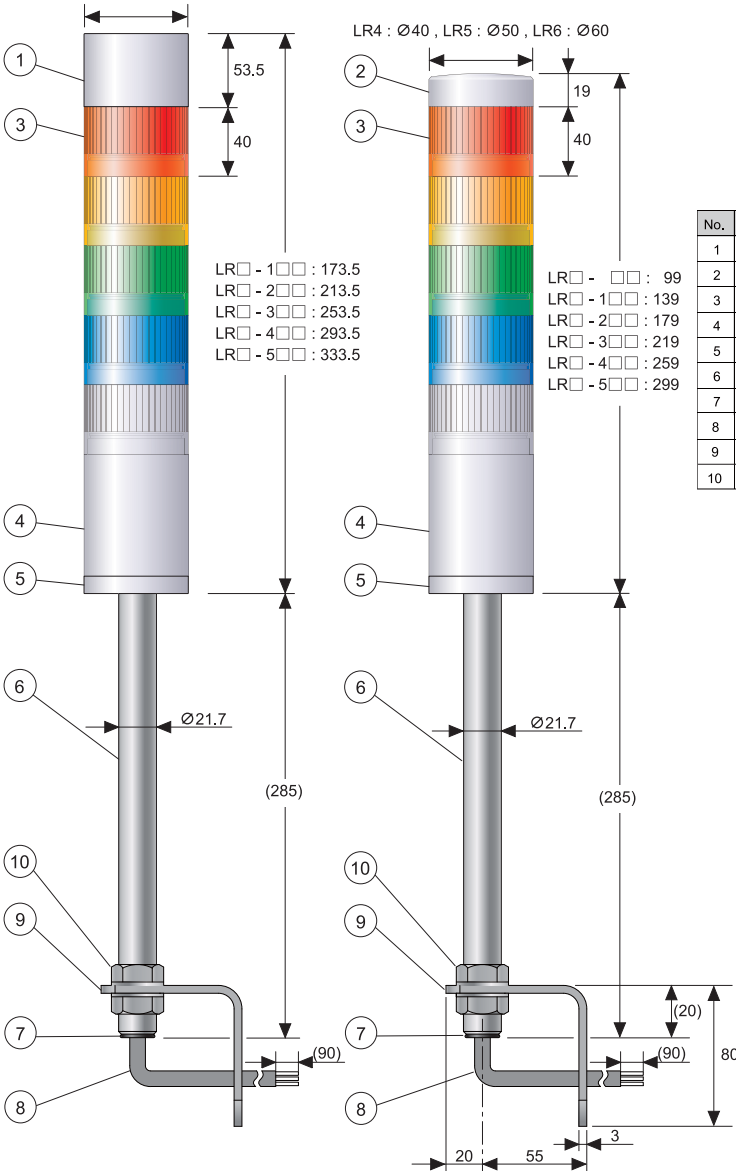
(Unit : mm)

LR□ - □□□LJB□

LR□ - □□□LJN□

LR4 : Ø40 , LR5 : Ø50 , LR6 : Ø60

LR4 : Ø40 , LR5 : Ø50 , LR6 : Ø60



| No. | Name            | Material   |
|-----|-----------------|------------|
| 1   | Buzzer Unit     | PC         |
| 2   | Head Cover      | PC         |
| 3   | LED Unit        | Globe : PC |
| 4   | Body            | PC         |
| 5   | Pole Bracket    | PC         |
| 6   | Pole            | AL         |
| 7   | Rubber Bushing  | EPR        |
| 8   | Cabletyre Cable | PVC        |
| 9   | L Angle         | Steel      |
| 10  | Hexagon Nut M22 | SUM        |

Cable Length : Off-White (1000)  
 Silver (3000)※LR4,LR6

Cable Length : Off-White (1000)  
 Silver (3000)※LR4,LR6

■ **PJ** Pole Bracket and pole with Cable ( **01** , **02** )

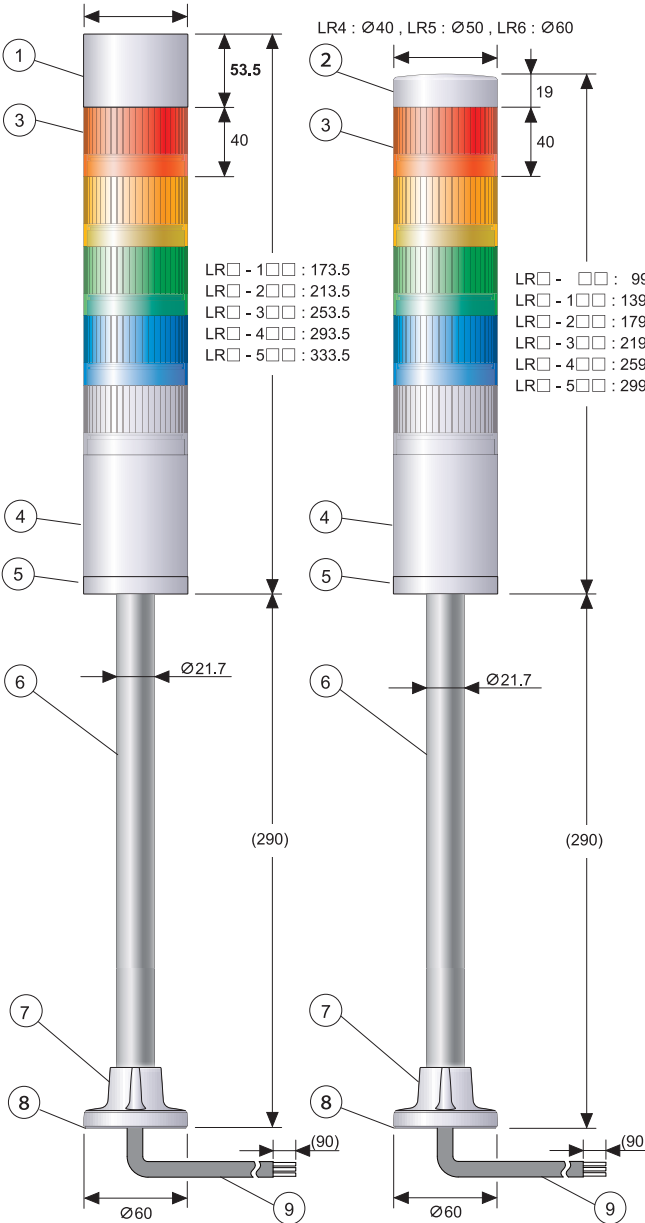
(Unit : mm)

LR□ - □□□PJ□

LR□ - □□□PJN□

LR4 : Ø40 , LR5 : Ø50 , LR6 : Ø60

LR4 : Ø40 , LR5 : Ø50 , LR6 : Ø60

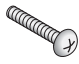


| No. | Name               | Material        |
|-----|--------------------|-----------------|
| 1   | Buzzer Unit        | PC              |
| 2   | Head Cover         | PC              |
| 3   | LED Unit           | Globe : PC      |
| 4   | Body               | PC              |
| 5   | Pole Bracket       | PC              |
| 6   | Pole               | AL              |
| 7   | Pole Bracket       | PC              |
| 8   | Waterproof Packing | Silicone Rubber |
| 9   | Cabletyre Cable    | PVC             |

Accessory


**LR4-5-6 - PJ**

Cross Recessed  
Pan Head Screw (M4x20)



3 pcs.

Hexagon Nut with Flange (M4)



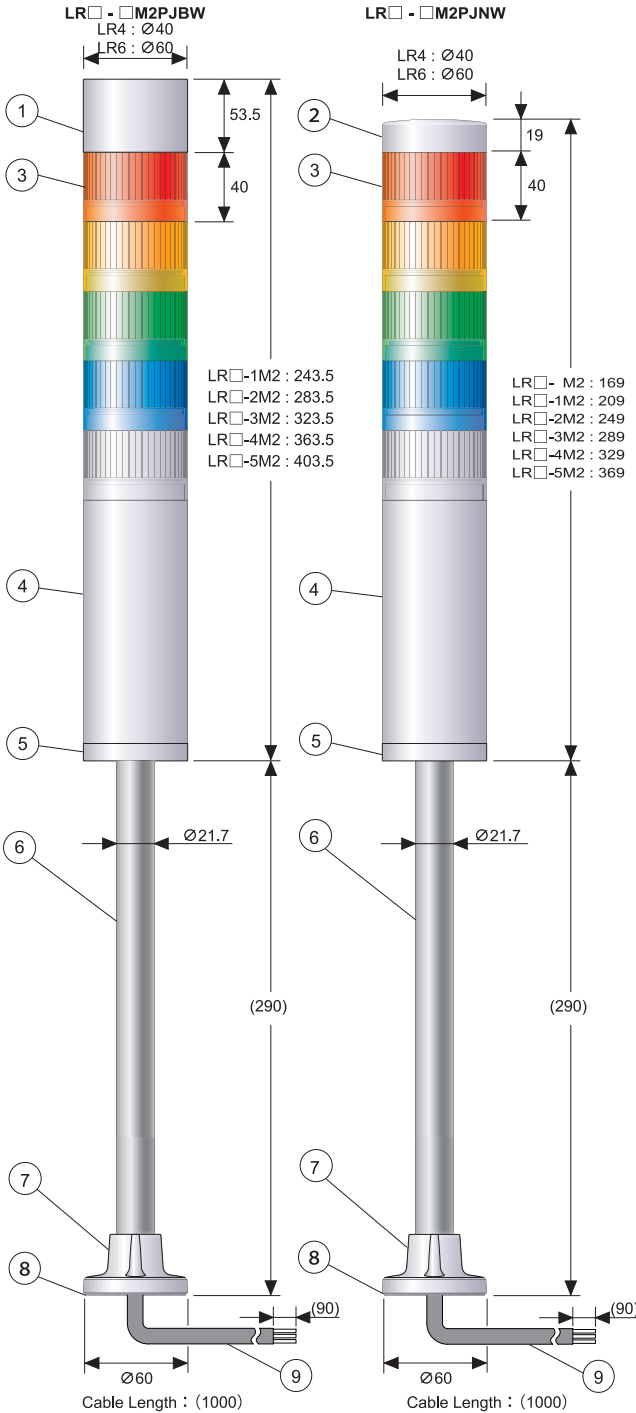
3 pcs.

Cable Length : Off-White (1000)  
Silver (3000)※LR4,LR6

Cable Length : Off-White (1000)  
Silver (3000)※LR4,LR6

■ **PJ** Pole Bracket and pole with Cable ( **M2** )

(Unit : mm)

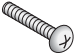


| No. | Name               | Material        |
|-----|--------------------|-----------------|
| 1   | Buzzer Unit        | PC              |
| 2   | Head Cover         | PC              |
| 3   | LED Unit           | Globe : PC      |
| 4   | Body               | PC              |
| 5   | Pole Bracket       | PC              |
| 6   | Pole               | AL              |
| 7   | Pole Bracket       | PC              |
| 8   | Waterproof Packing | Silicone Rubber |
| 9   | Cable Cable        | PVC             |

Accessory


**LR4-6 - PJ**

Cross Recessed  
Pan Head Screw (M4x20)



3pcs.

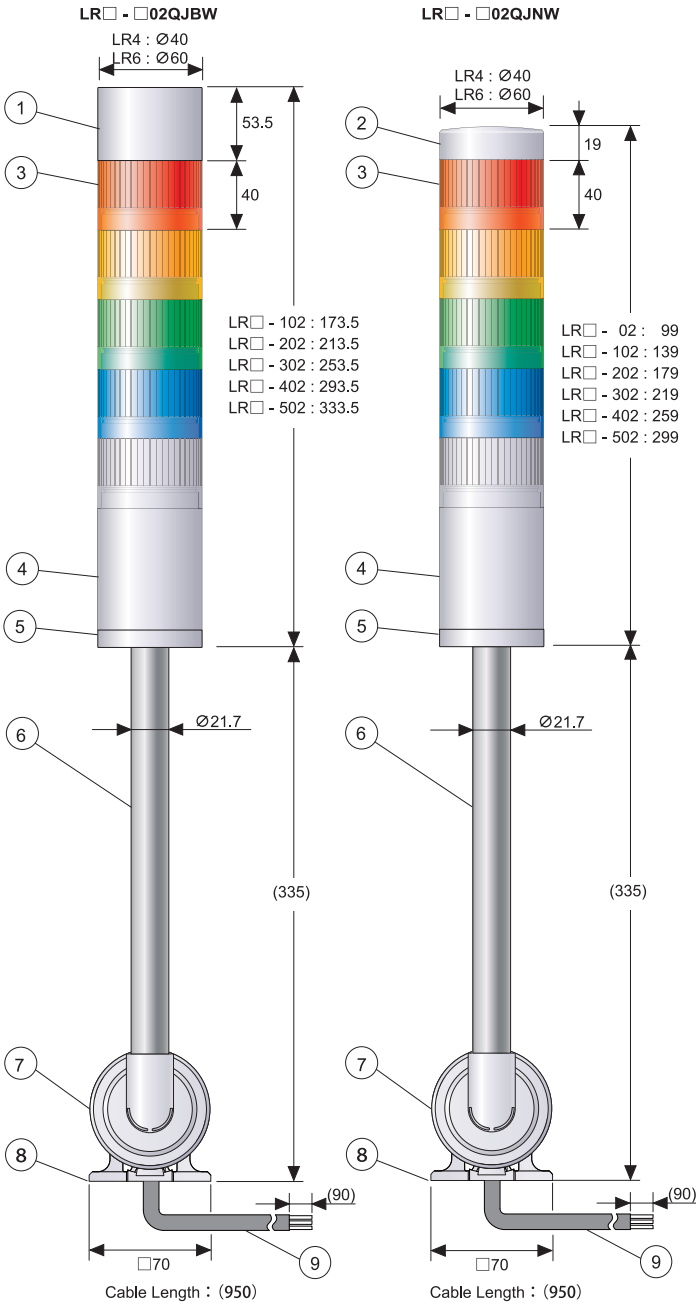
Hexagon Nut with Flange (M4)



3pcs.

■ **QJ** Tilt Bracket and pole with Cable ( **02** )

(Unit : mm)



| No. | Name               | Material   |
|-----|--------------------|------------|
| 1   | Buzzer Unit        | PC         |
| 2   | Head Cover         | PC         |
| 3   | LED Unit           | Globe : PC |
| 4   | Body               | PC         |
| 5   | Pole Bracket       | PC         |
| 6   | Pole               | AL         |
| 7   | Tilt Bracket       | PC         |
| 8   | Waterproof Packing | CR         |
| 9   | Cabletyre Cable    | PVC        |

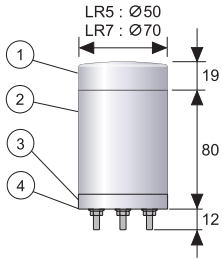
**Accessory**

**LR4·6 - QJ**  
Cross Recessed Binding Head Screw (M5x25)  
4 pcs.

Hexagon Nut with Flange (M5)  
4 pcs.



■ **WT** Direct Mount with Terminal Block (Body Unit)

(Unit : mm)



Maximum Product Installation  
Board Thickness : 7

| No. | Name                 | Material        |
|-----|----------------------|-----------------|
| 1   | Head Cover           | PC              |
| 2   | Body                 | PC              |
| 3   | Direct Mount Bracket | PC              |
| 4   | Waterproof Packing   | Silicone Rubber |

| Accessory   |   |
|---|---|
| <b>LR5</b> - <b>WT</b><br>Hexagon Nut with Flange (M3)<br><br>3 pcs. | <b>LR7</b> - <b>WT</b><br>Hexagon Nut with Flange (M4)<br><br>3 pcs. |



# 4 How to Install

## Notice

- The following requirements are necessary for proper installation:
  - Install the signal tower where **excessive vibration** is not present.
  - Install the signal tower on a **sturdy surface**.
  - Install the signal tower on a **level surface**.
- Only install the signal tower in an **upright position**.
- When the installation location is unavoidably irregular and waterproof performance is required, use a sealant between the product and the installation surface.
- If the pole type requires an IP65 rating, apply sealant to the screws, nuts and wire distribution hole when installing the compatible bracket onto the installation surface. ( **PJ** • **QJ** )
- Although the LR4-**WJ** mounting bolt moves prior to assembly, it is not a quality issue.  
Be sure to mount the product in the manner indicated below.

## Basic Mounting Instructions

- 1** Make holes for the mounting and wire-distribution for the product.  
(Check the Model and refer to the suitable attachment or mounting dimension figure.)
- 2** Run the wiring through the distribution hole.
- 3** Secure the product with the bolts, nuts and screws.  
( **LJ** required nuts and bolts are not included.)

### ■ **LJ** Installation Figure (Unit : mm)

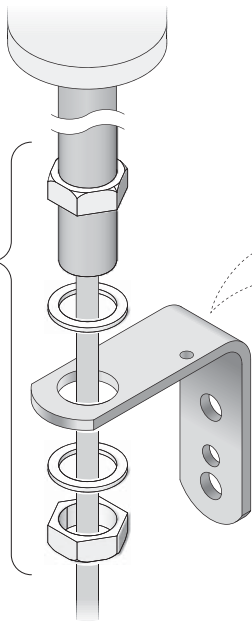
- 2**
  - 3**
- Feed the wiring through the hole and set the pole in place to install.

|                    |
|--------------------|
| Recommended Torque |
| 30 N·m             |

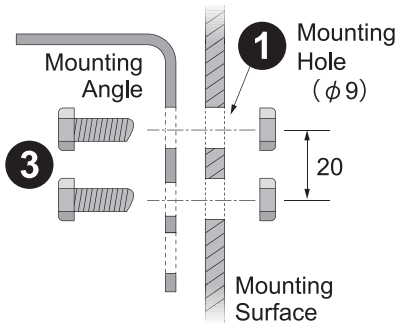
#### Point

When not using an attachment angle, make a fitting hole of  $\phi 22-23\text{mm}$ .

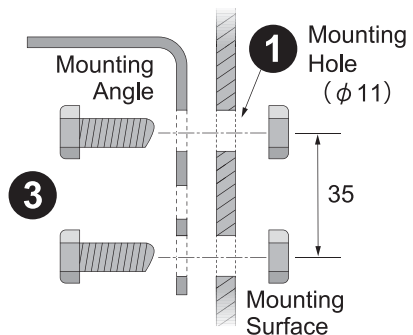
|                         |
|-------------------------|
| Recommended Bolt Torque |
| 12.2 N·m                |



### For M8 bolt and nut size

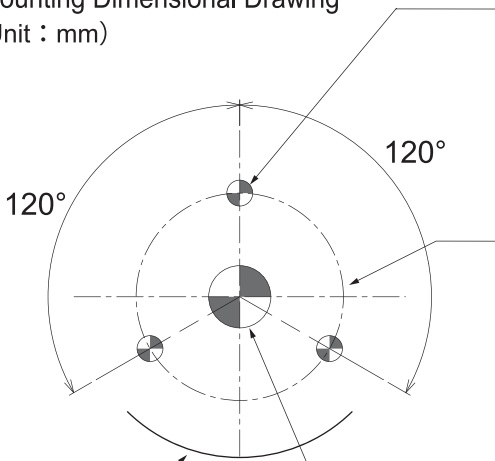


### For M10 bolt and nut size



■ **WJ** · **PJ** **WT**

Mounting Dimensional Drawing  
(Unit : mm)



| Mounting Hole<br>(3 places) |     | Screw<br>Nut |
|-----------------------------|-----|--------------|
| LR4·5-WJ                    | φ 4 | M3           |
| LR5-WT                      |     |              |
| LR4·5·6-PJ                  | φ 5 | M4           |
| LR6·7-WJ                    |     |              |
| LR7-WT                      |     |              |

|            |      |
|------------|------|
| LR4·5-WJ   | φ 30 |
| LR5-WT     |      |
| LR4·5·6-PJ | φ 40 |
| LR6·7-WJ   |      |
| LR7-WT     |      |

Nameplate  
Position

Wire Distribution  
Hole (φ 12)

| Recommended Torque |
|--------------------|
| 0.6 N·m            |

■ **QJ** Mounting  
Dimensional Drawing  
(Unit : mm)

Mounting Hole  
(φ 6×4places)

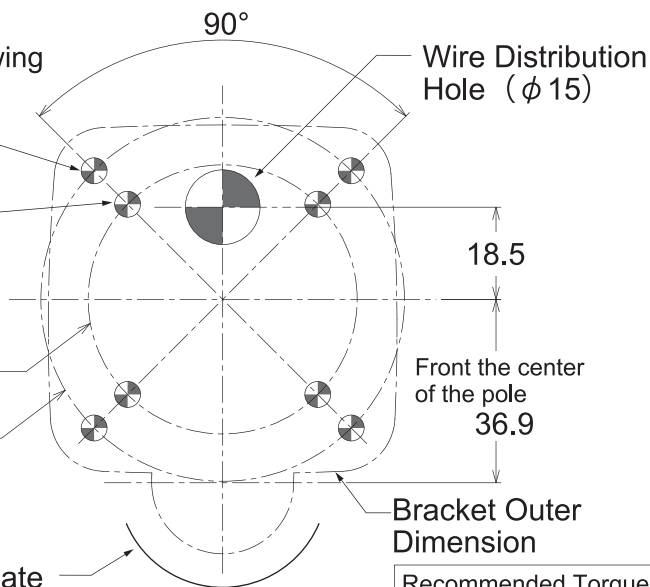
Mounting Hole  
(φ 6×4places)

| Screw · Nut |
|-------------|
| M 5 × 4 pcs |

φ 54 ~ φ 56

φ 73

Nameplate  
Position



Front the center  
of the pole  
36.9

Bracket Outer  
Dimension

| Recommended Torque |
|--------------------|
| 1.4 N·m            |

## Warning

- Be sure **the power is disconnected** before wiring and changing fuses.  
Possible cause of short-circuiting may occur.
- Ensure **the proper working voltage** is used and that **direct current or alternating current** is properly applied.  
Possible cause of combustion may occur.

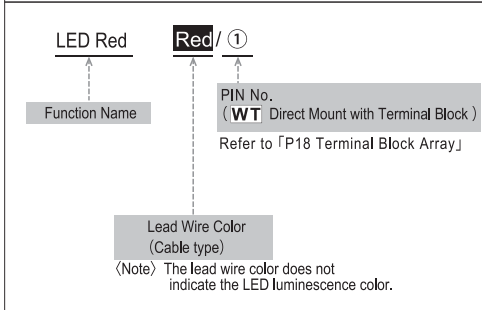
## Caution

- **Do not apply a voltage to any signal lines, other than Flashing Common ( 01, 02 ) and the power source line ( M2 )**. Product failure will occur.
- Do not control the flashing display by switching the power source ON and OFF for **M2**. Product failure will occur.
- It is not necessary to connect to an external lead for tiers not used. When an extra lead is not connected, it should be **individually insulated** with electrical tape or something similar. Failure to comply will result in damage due to short circuiting.
- **Do not pull** the lead wire or **push it inside** the body. Product failure will occur.

## Notice

- When using multiple LED units of the same color, **make the contact capacity equal to the number of same color LED units multiplied** by the contact capacity for 1 tier.  
(This is because LED units of the same color light up for one signal line.)
- To protect the power supply and other internal circuitry, be sure to install an external **fuse**.
- If wiring is extended beyond its factory length, **a relevance in the length of the wire and wire gauge** will cause a voltage drop.

### Wiring Example Index



The following is a basic wiring example. If there are any special applications that require asking questions concerning this product, feel free to contact your PATLITE Sales Representative. Accidental wiring will result in product failure.

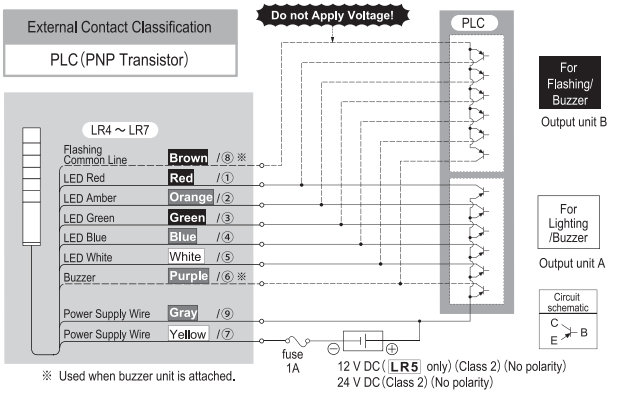
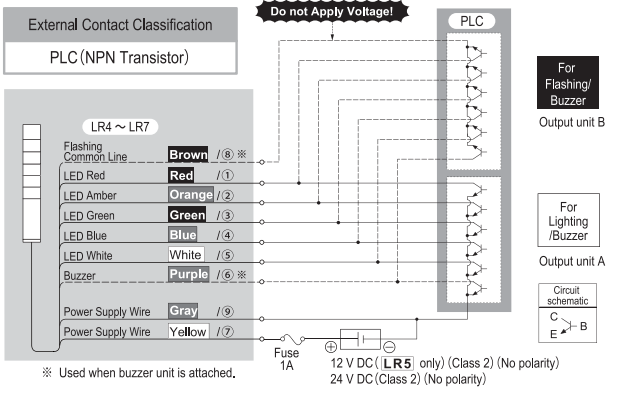
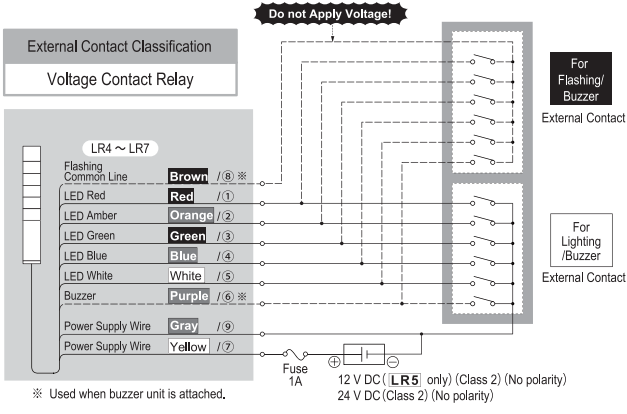
■ Wire Type & Wire Gauge

**M2** Power Supply Wire (Gray, Black) ···UL2464 / AWG18

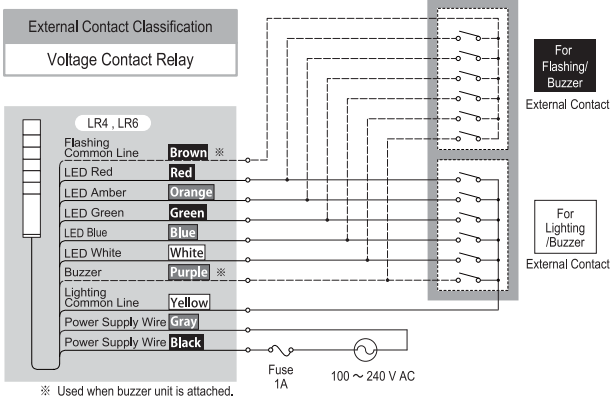
Excluding **M2** Power Supply Wire (Gray, Black) ···UL2464 / AWG24

<Note> When lighting and flashing are used together, it is necessary to prepare an external contact for each lighting or flashing.

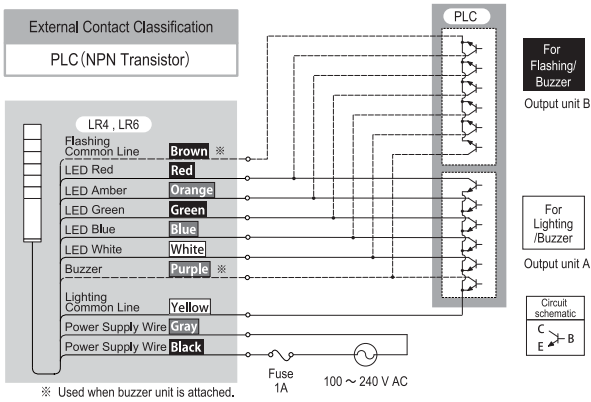
Product Specifications **01** 12 V DC **02** 24 V DC



Only apply voltage to Power Supply Lines.



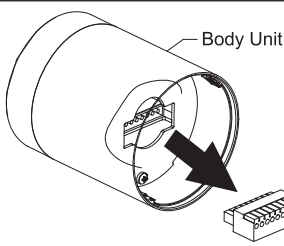
Only apply voltage to Power Supply Lines.



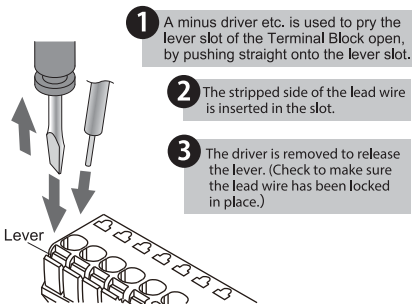
### WT Terminal Block Array

|     |        |       |       |       |       |                            |                 |                                      |
|-----|--------|-------|-------|-------|-------|----------------------------|-----------------|--------------------------------------|
|     |        |       |       |       |       |                            |                 |                                      |
| 1   | 2      | 3     | 4     | 5     | 6     | 7                          | 8               | 9                                    |
| Red | Orange | Green | Blue  | White | Gray  | Yellow                     | Gray            | Black                                |
|     |        |       |       |       |       | Power Supply Wire (Common) | Flashing Common | Power Supply Wire (Signal Line Side) |
|     | LED-R  | LED-Y | LED-G | LED-B | LED-C | Buzzer                     |                 |                                      |

### WT Terminal Block wiring method



Remove the connector from the body unit before wiring.



- 1** A minus driver etc. is used to pry the lever slot of the Terminal Block open, by pushing straight onto the lever slot.
- 2** The stripped side of the lead wire is inserted in the slot.
- 3** The driver is removed to release the lever. (Check to make sure the lead wire has been locked in place.)

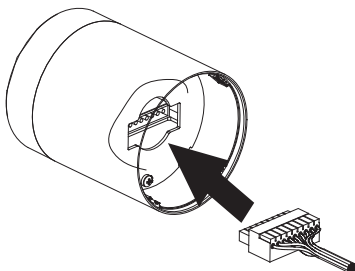
#### ■ Recommended lead wire specifications

| Wire Type       | Wire Gauge (Solid Wire) | Wire Gauge (Frayed Wire) |
|-----------------|-------------------------|--------------------------|
| UL1007 / UL1430 | 0.14~1.5mm <sup>2</sup> | AWG30~14                 |

• Temperature rating should be above 75°C, and the conductor material should be of copper wire.

#### Point

- The minus driver blade should be at about 2mm by 0.4mm in size.
- Do not forcibly push the lever more than necessary with the driver. Failure to comply may damage the unit.
- Strip 9~10mm of wire insulation from the wire to insert it in the Terminal Block.
- When removing the lead wire, do not pull to remove, be sure to operate the lever to release the lock.



Attach the terminal block connector to the body unit after wiring.

※The terminal block connector is attached to the body unit at all times after factory shipment. Refer to Unit Detachment Method about removal, wiring and attachment.(P.32)

## External Contact Capacity

Is : Current Capacity Vs : Withstand Voltage IL : Leak Current Ta : Ambient Temperature

| Rated Load Voltage   |                     | 01 12 V DC                    | 02 24 V DC                    | M2 100 - 240V AC   |
|----------------------|---------------------|-------------------------------|-------------------------------|--|
| LED Unit<br>(1 Tier) | Signal Wire Current | 90 mA                         | 40 mA                         | 40 mA  |
|                      | Contact Capacity    | Is ≥ 100 mA Vs ≥ 35 V DC      | Is ≥ 100 mA Vs ≥ 35 V DC      | Is ≥ 100 mA Vs ≥ 35 V DC   |
| Buzzer               | Signal Wire Current | 90 mA                         | 40 mA                         | 40 mA  |
|                      | Contact Capacity    | Is ≥ 300 mA Vs ≥ 35 V DC (※1) | Is ≥ 300 mA Vs ≥ 35 V DC (※1) | Is ≥ 300 mA Vs ≥ 35 V DC   |
| Power Supply         | Current Consumption | 500 mA                        | 250 mA                        | 150mA  |
|                      | Contact Capacity    | Is ≥ 700 mA Vs ≥ 35 V DC      | Is ≥ 700 mA Vs ≥ 35 V DC      | Inrush current or more contacts  |
| Inrush Current       | Signal Wire         | None (※1)                     | None (※1)                     | None   |
|                      | Power Supply Wire   | 0.7A / Less than 15ms         | 0.7A / Less than 0.5ms        | Ta=25°C : 25A /<br>Less than 2ms (Cold-start)<br>Ta=50°C : 50A /<br>Less than 2ms (Cold-start) |
| Leakage Current      |                     | IL ≤ 0.1 mA                   |                               |  |

※1 ... When (Gray / ⑨ Black) power supply wire is not connected, inrush current (0.7A) will flow through the signal line.

Be sure to select the appropriate ratings for an external contact.

## Recommended Fuse

| Fuse Rated Current                           |
|--|
| 250 V / 1 A                                  |
| 5x20mm Fast-Acting Glass Body Cartridge Fuse |

- (Note) ● When a regulated power supply is not being used, select a fuse that meets class CC or more. (M2)  
 ● Use a fuse holder with UL standard certification. (M2)  
 ● Be sure **the power is disconnected** before changing fuses.

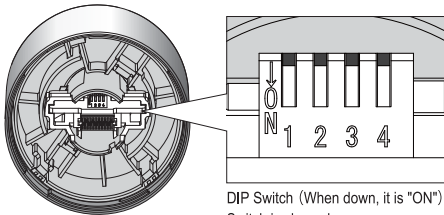
## 6 Buzzer Pattern Set-up

B With Flashing/Buzzer type includes a set up for four different patterns and sound muting. Operate a DIP Switch after removing the buzzer unit.

### Caution

- Do not use excessive force to set up the switches. Possible damage or malfunction may occur.
- Do not adjust switches with a sharp object. Possible damage to switches may cause it to be impossible to operate or cause partial movement of the contacts.

Buzzer Unit Underside



DIP Switch (When down, it is "ON")  
Switch is shown by ■.

### Setup Table

| Buzzer Sound | DIP Switch |     | Sound Pattern           |
|--------------|------------|-----|-------------------------|
|              | 1          | 2   |                         |
| No.1         | OFF        | OFF | Rapid intermittent beep |
| No.2         | ON         | OFF | Continuous beep sound   |
| No.3         | OFF        | ON  | Rapid Hi-Lo             |
| No.4         | ON         | ON  | Sweep sound             |

| DIP Switch | Volume          |
|------------|-----------------|
| 3 OFF      | Normal          |
| 3 ON       | Sound Reduction |

(Note) Do not use DIP Switch 4. It is set to "OFF" at all times after factory shipments.

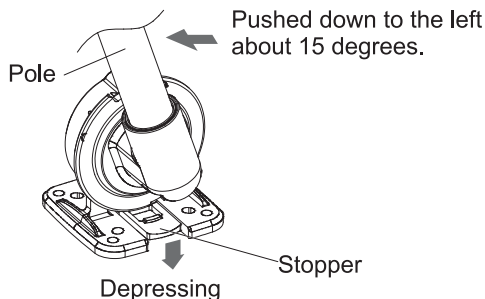
## 7 How to use the Tilt Bracket

The [Q] tilt bracket is a retractable type, which can be pushed down while a product is still attached when transporting equipment.  
(Adjustable Angle: 90 degrees to the right and 45 degrees to the right and left from an upright direction)

When moving 90 degrees to the right from an upright position.

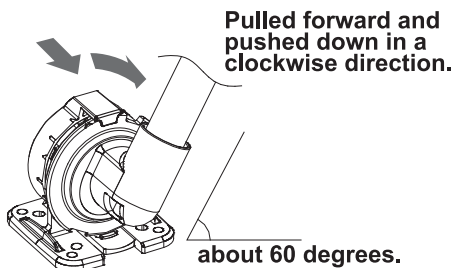
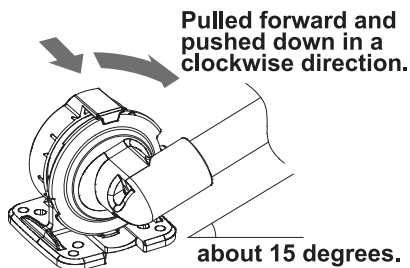
When moving 45 degrees to the right from an upright position.

- ① Depressing a locking lever on the left side of the Pole releases the bracket to be lowered. (Depressing the lock allows the Pole to swivel freely)

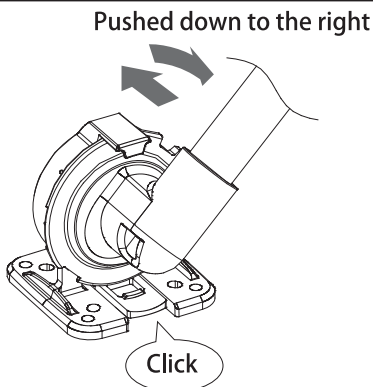
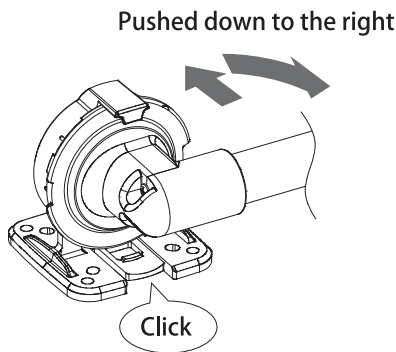


- ② The Pole can then be pulled forward and pushed down in a clockwise direction. (From a level plane up to about a 15 degree angle)

- ② The Pole can then be pulled forward and pushed down in a clockwise direction. (From a level plane up to about a 60 degree angle)



- ③ The Pole is pushed down to the right (clockwise). (The Pole is turned until it is latched in place by the locking lever)





## 8 Unit Detachment Method

Detach the unit in the following manner when detaching the buzzer unit, changing the array of LED unit and etc.



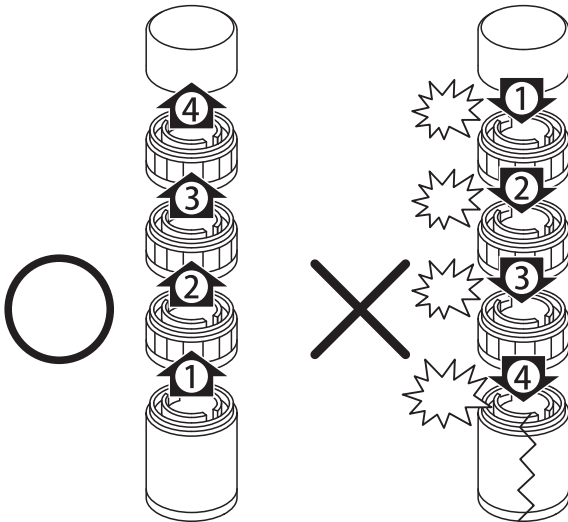
Video site

### ⚠ Warning

- Be sure the power is **disconnected** before working on it.

### ⚠ Caution

- **Do not apply excessive strength** with each unit or body. Failure to comply may damage the unit.
- **Do not touch the connector area or the inside of the body and LED unit.** Failure to comply may damage the unit.
- **Be sure to lock** each unit securely when attaching. Failure to comply may damage the unit.
- Detach the unit in the following manner. Any other method may result in damaging the product.  
Attachment : Attach one unit at a time to the body.  
Removal : Firmly hold the bottom section while removing the upper section.

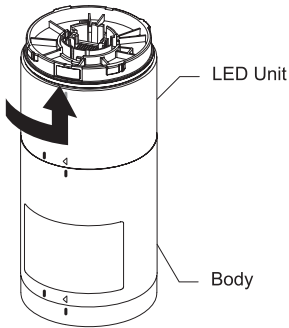


### Notice

- The maximum number of attachment units per product are five LED units, plus one buzzer unit.

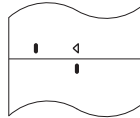
## < For the Body - LED Unit >

### ■ Removal

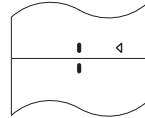


While holding the body, turn the LED unit counterclockwise, until it unlocks, then pull it upwards to remove.

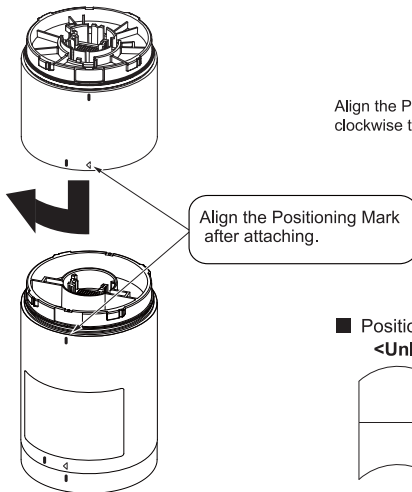
### ■ Positioning Mark <Locked>



### <Unlocked>

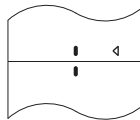


### ■ Attachment

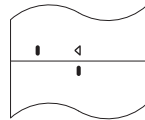


Align the Positioning Mark after insertion, then turn the unit clockwise to lock it.

### ■ Positioning Mark <Unlocked>

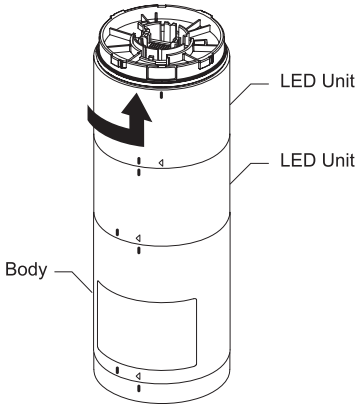


### <Locked>



## <For the LED Unit - LED Unit>

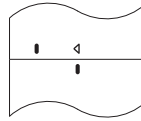
### ■ Removal



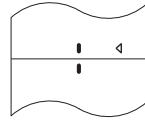
While holding LED unit, turn the LED unit counterclockwise, until it unlocks, then pull it upwards to remove.

### ■ Positioning Mark

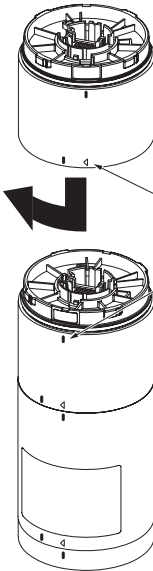
<Locked>



<Unlocked>



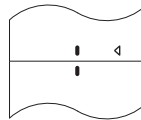
### ■ Attachment



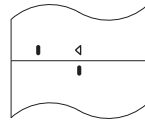
Align the Positioning Mark after insertion, then turn the unit clockwise to lock it.

### ■ Positioning Mark

<Unlocked>

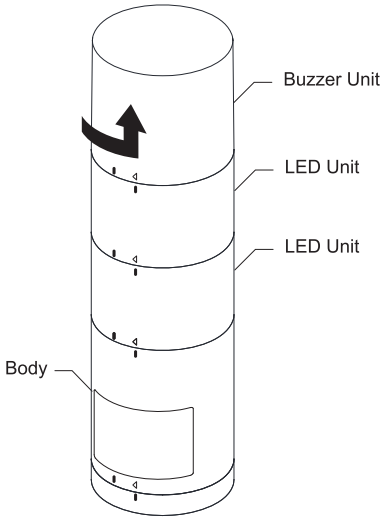


<Locked>



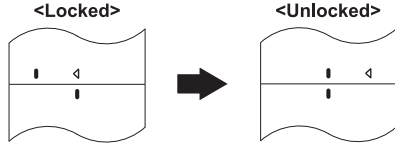
## <For the LED Unit - Buzzer Unit>

### ■ Removal

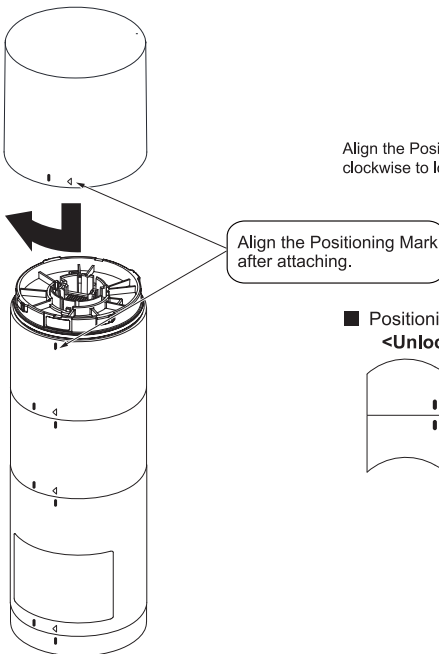


While holding LED unit, turn the buzzer unit counterclockwise, until it unlocks, then pull it upwards to remove.

### ■ Positioning Mark

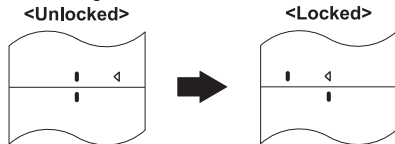


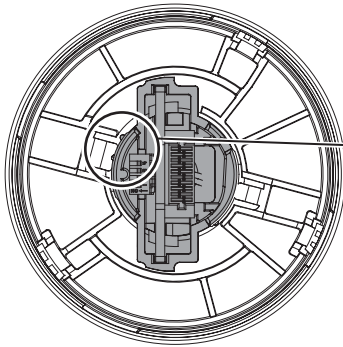
### ■ Attachment



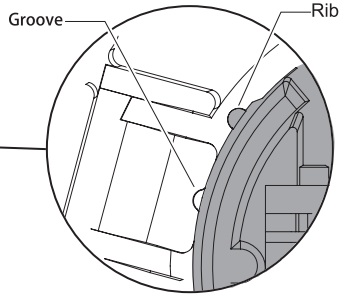
Align the Positioning Mark after insertion, then turn the unit clockwise to lock it.

### ■ Positioning Mark



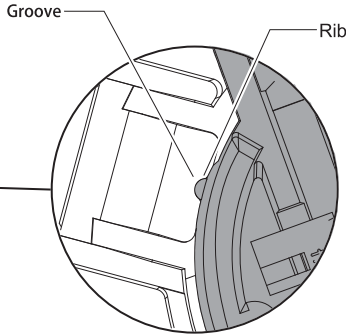
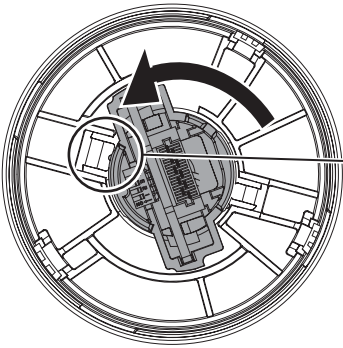


**Buzzer Unit Underside**



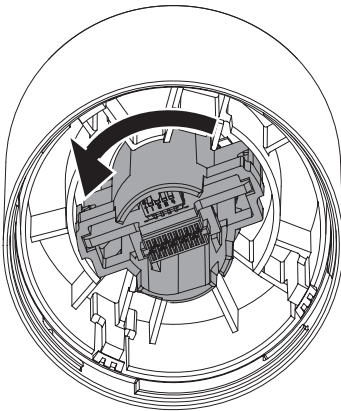
**<Unlocked>**

If unlocked condition, which means the rib is located out of the groove as the figure, is found when the Buzzer Unit is removed, lock the unit in the following manner then attach the unit on another unit.  
Failure to comply may damage the unit.



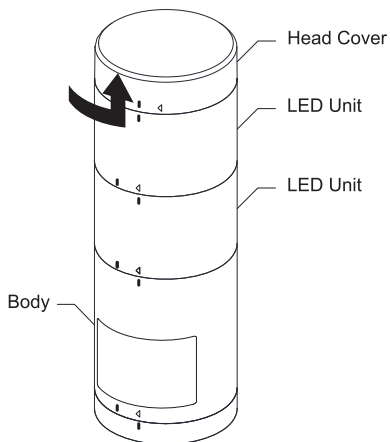
**<Locked>**

Turn the internal part of the Buzzer Unit counterclockwise until the rib is stuck in the groove, and lock it.



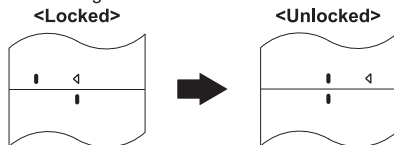
## < For the LED Unit - Head Cover >

### ■ Removal

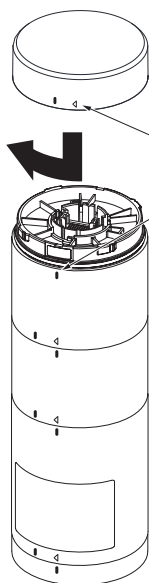


While holding the LED unit, turn the head cover counterclockwise, until it unlocks, then pull it upwards to remove.

### ■ Positioning Mark

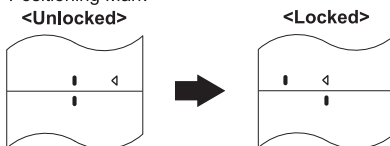


### ■ Attachment



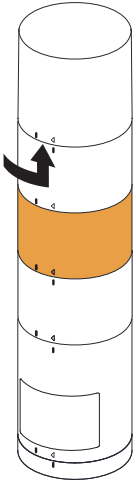
Align the Positioning Mark after insertion, then turn the unit clockwise to lock it.

### ■ Positioning Mark

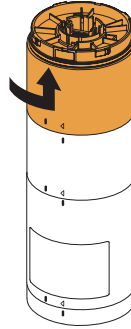


## <Unit Replacement Procedure>

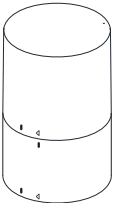
### ■ For the LED Unit decrement



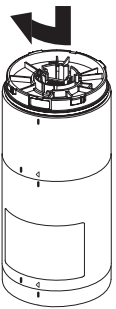
1 Remove the LED unit located above the unit which is intended to be removed.



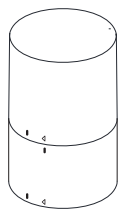
2 While holding the LED unit, turn the LED unit counterclockwise, until it unlocks, then pull it upwards to remove.



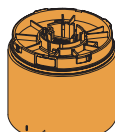
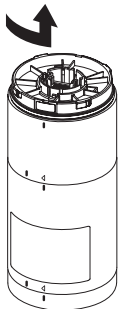
3 Align the Positioning Mark after insertion, then turn the unit which is removed(1) clockwise to lock it.



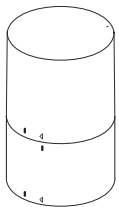
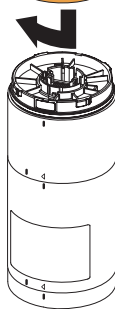
■ For the LED Unit increment



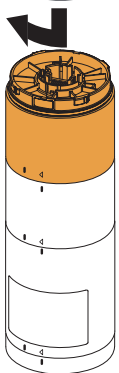
1 Remove the LED unit located above the unit which is intended to be attached.



2 Align the Positioning Mark after insertion, then turn the unit clockwise to lock it.

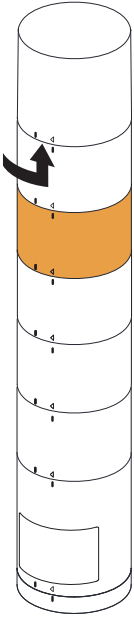


3 Align the Positioning Mark after insertion, then turn the unit which is removed(1) clockwise to lock it.

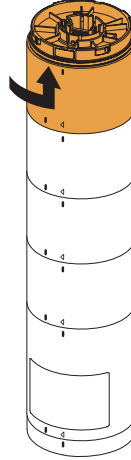




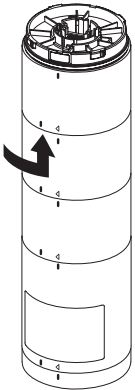
■ For the LED Unit relocation



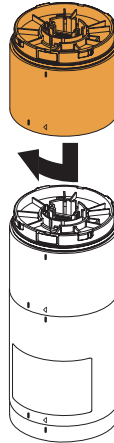
1 Remove the LED unit located above the unit which is intended to be relocated.



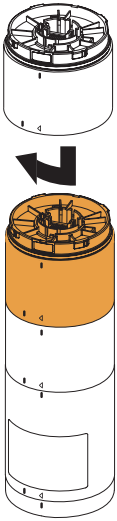
2 While holding the LED unit, turn the LED unit counterclockwise, until it unlocks, then pull it upwards to remove.



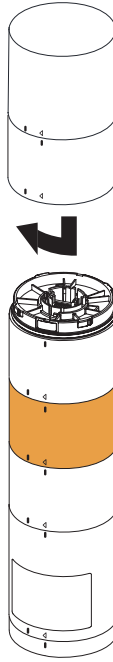
3 Remove the LED unit located above the unit which is intended to be relocated.



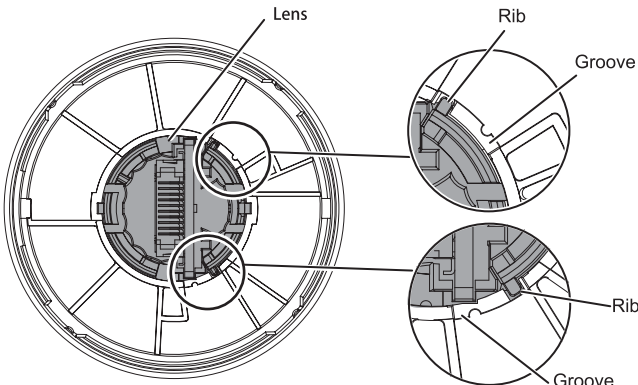
4 Align the Positioning Mark after insertion, then turn the unit which is removed(2) clockwise to lock it.



- 5 Align the Positioning Mark after insertion, then turn the unit which is removed(2) clockwise to lock it.



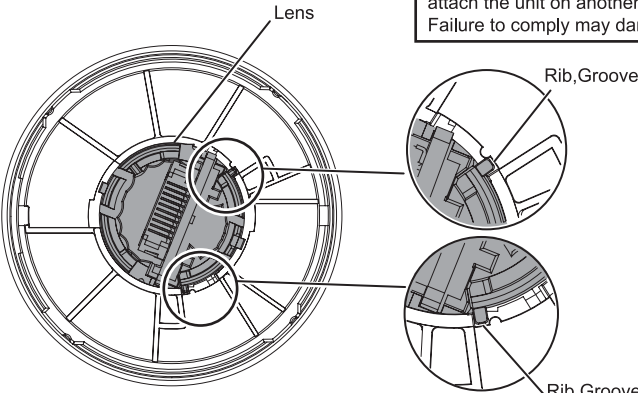
- 6 Align the Positioning Mark after insertion, then turn the unit which is removed(1) clockwise to lock it.



**LED Unit Topside**

**<Unlocked>**

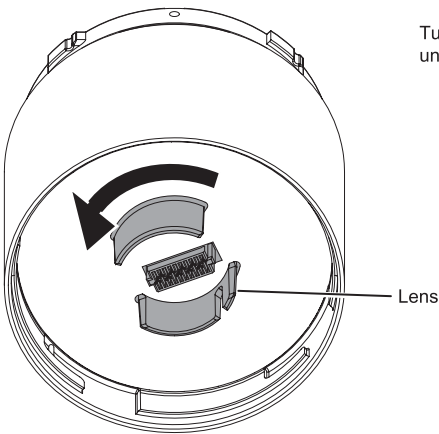
If unlocked condition, which means the rib is located out of the groove as the figure, is found when the LED Unit is removed, lock the unit in the following manner then attach the unit on another unit. Failure to comply may damage the unit.



**LED Unit Topside**

**<Locked>**

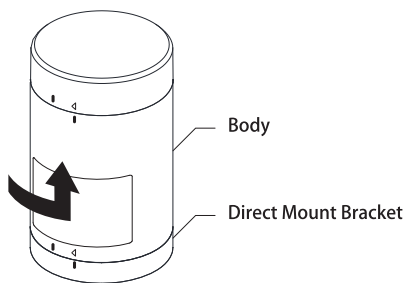
Turn the internal lens of the LED Unit counterclockwise until the rib is stuck in the groove, and lock it.



**LED Unit Underside**

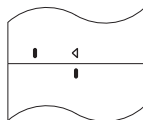
## <Body Unit> (LR5-02WTNW,LR7-02WTNW)

### ■ Removal

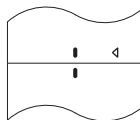


While holding the direct mount bracket, turn the body counterclockwise, until it unlocks, then pull it upwards to remove.

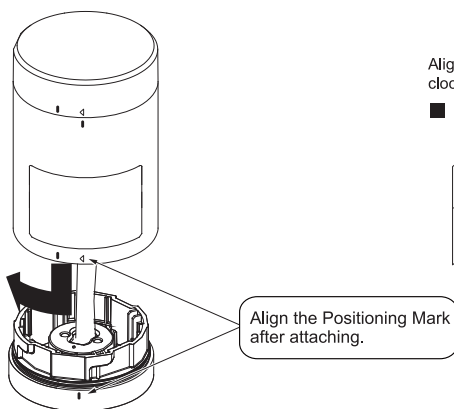
### ■ Positioning Mark <Locked>



### <Unlocked>

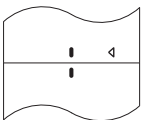


### ■ Attachment

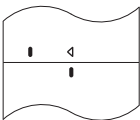


Align the Positioning Mark after insertion, then turn the unit clockwise to lock it.

### ■ Positioning Mark <Unlocked>



### <Locked>



# 9 Troubleshooting

If the problem is occurred, handle in the following table.

| No. | Problem  | Where to Check                                       | What to do   |
|-----|--|--|--|
| 1   | <b>The LED does not light up.</b>  | Is the electric wiring connected correctly?          | Refer to " <b>5</b> Wiring" (P.15~18) for proper wiring.   |
|     |  | Is the power properly supplying the correct voltage? | Check the rated supply voltage.  |
|     |  | Is the fuse blown out ?                              | If the fuse is blown out, replace it.  |
| 2   | <b>A different LED from what I thought lights up when I make it turn on.</b> | Is the electric wiring connected correctly?          | Refer to " <b>5</b> Wiring" (P.15~18) for proper wiring.   |
| 3   | <b>The Buzzer does not sound.</b>  | Is the electric wiring connected correctly?          | Refer to " <b>5</b> Wiring" (P.15~18) for proper wiring.   |
|     |  | Is the power properly supplying the correct voltage? | Check the rated supply voltage.  |
|     |  | Is the fuse blown out ?                              | If the fuse is blown out, replace it.  |
|     |  | Check that the product type.                         | The buzzer function is only included with products with a "[B]" in the model number.                   |
| 4   | <b>The Buzzer volume is small.</b>   | Is the Buzzer volume set to minimum?                 | Refer to " <b>6</b> Buzzer Pattern Set-up" (P.19) on how to adjust the volume.                         |
| 5   | <b>The LED does not flash.</b>   | Is the electric wiring connected correctly?          | Refer to " <b>5</b> Wiring" (P.15~18) for proper wiring.   |
|     |  | Are the external contacts for lighting turning on?   | Priority is given to the lighting input over the flashing input when simultaneous signals are applied. |
|     |  | Check that the product type.                         | The flash function is only included with products with a "[B]" in the model number.                    |

If the problem is not resolved after doing the procedure as above ,please check the contact details and contact the nearest PATLITE office

| Contact details |   |                      |                             |            |
|-----------------|---|----------------------|-----------------------------|------------|
| Product Name    | Signal Tower                                  | Date of purchase     | Year                        | Month Date |
| Model Number    | (→ <b>2</b> Model Number Configuration(P.3) ) | Situation of failure | As specifically as possible |            |

# 10 Specifications

## General Specifications ( 02 )

|                                    |                      |  |                        |                                      |                             |   |
|------------------------------------|----------------------|--|------------------------|--------------------------------------|-----------------------------|---|
| Model                              |                      | LR□-□02□□□□  |                        |                                      |                             |   |
| Rated Voltage                      |                      | 24V DC   |                        |                                      |                             |   |
| Operating Voltage Range            |                      | Rated Voltage ±10%   |                        |                                      |                             |   |
| Signal Wire Current (Per Unit)     | Typ.                 | LED Unit : 40mA<br>Buzzer Unit : 40mA (※1)   |                        |                                      |                             |   |
|                                    | Max.                 | LED Unit : 45mA<br>Buzzer Unit : 300mA (※1)  |                        |                                      |                             |   |
| Inrush Current                     | Power Supply Wire    | 0.7A / Less than 0.5ms   |                        |                                      |                             |   |
|                                    | Signal Wire          | none   |                        |                                      |                             |   |
| Rated Power Consumption (Per Unit) | Typ.                 | LED Unit : 1W<br>Buzzer Unit : 1W (※1)   |                        |                                      |                             |   |
|                                    | Max.                 | LED Unit : 1.3W<br>Buzzer Unit : 1.3W (※1)   |                        |                                      |                             |   |
| Standby Power Consumption          |                      | LED Unit : none<br>Buzzer Unit : 0.1W<br>Body Unit : none  |                        |                                      |                             |   |
| Operating Ambient Temperature      |                      | -20°C ~ +50°C  |                        |                                      |                             |   |
| Operating Ambient Humidity         |                      | Less than 90% RH (No Condensation)   |                        |                                      |                             |   |
| Storage Ambient Temperature        |                      | -30°C ~ +60°C  |                        |                                      |                             |   |
| Storage Ambient Humidity           |                      | Less than 90% RH (No Condensation)   |                        |                                      |                             |   |
| Mounting Location                  |                      | Indoor Only  |                        |                                      |                             |   |
| Mounting Direction                 |                      | Upright  |                        |                                      |                             |   |
|                                    |                      | IP65(IEC 60529) (※2) / NEMA TYPE 4X,13   |                        |                                      |                             |   |
| Environmental Condition            |                      | Upright  |                        |                                      |                             |   |
| Insulation Resistance              |                      | More than 1MΩ at 500VDC between live part and non-current carrying metallic part   |                        |                                      |                             |   |
| Withstand Voltage                  |                      | 500VAC applied for 1min between live part and non-current carrying metallic part without breaking insulation   |                        |                                      |                             |   |
| Flashing Rate                      |                      | 60±2 Flashes Per Minute  |                        |                                      |                             |   |
| Buzzer Sound /Typical Frequency    | No.1                 | Rapid intermittent beep / 3378Hz   |                        | No.3                                 | Rapid Hi-Lo / 2016Hz&3012Hz |   |
|                                    | No.2                 | Continuous beep sound / 3378Hz   |                        | No.4                                 | Sweep sound / 1000Hz-4032Hz |   |
| Setting                            |                      | Depending on DIP Switch Settings Refer to the 6.Buzzer Pattern Set-up  |                        |                                      |                             |   |
| Outer Dimensions                   |                      | Refer to the 3.Part Names and Outer Appearance<br>(LED Unit) + [Buzzer Unit]   |                        |                                      |                             |   |
| Mass (Tolerance±10%)               | LR4                  | WJ   | Off white              | 0.17kg + (0.035kg)×Tiers + [0.035kg] | Silver                      | 0.32kg + (0.035kg)×Tiers + [0.035kg]  |
|                                    |                      | LJ   | Off white              | 0.46kg + (0.035kg)×Tiers + [0.035kg] | Silver                      | 0.61kg + (0.035kg)×Tiers + [0.035kg]  |
|                                    |                      | PJ   | Off white              | 0.36kg + (0.035kg)×Tiers + [0.035kg] | Silver                      | 0.51kg + (0.035kg)×Tiers + [0.035kg]  |
|                                    |                      | QJ   | Off white              | 0.17kg + (0.035kg)×Tiers + [0.035kg] |                             |   |
|                                    | LR5                  | WJ   | Off white              | 0.20kg + (0.040kg)×Tiers + [0.050kg] |                             |   |
|                                    |                      | LJ   | Off white              | 0.49kg + (0.040kg)×Tiers + [0.050kg] |                             |   |
|                                    |                      | PJ   | Off white              | 0.38kg + (0.040kg)×Tiers + [0.050kg] |                             |   |
|                                    |                      | WT   | Off white/Silver/Black | 0.10kg                               |                             |   |
|                                    | LR6                  | WJ   | Off white              | 0.22kg + (0.060kg)×Tiers + [0.060kg] | Silver                      | 0.35kg + (0.060kg)×Tiers + [0.060kg]  |
|                                    |                      | LJ   | Off white              | 0.50kg + (0.060kg)×Tiers + [0.060kg] | Silver                      | 0.64kg + (0.060kg)×Tiers + [0.060kg]  |
|                                    |                      | PJ   | Off white              | 0.40kg + (0.060kg)×Tiers + [0.060kg] | Silver                      | 0.53kg + (0.060kg)×Tiers + [0.060kg]  |
|                                    |                      | QJ   | Off white              | 0.46kg + (0.060kg)×Tiers + [0.060kg] |                             |   |
|                                    | LR7                  | WJ   | Off white              | 0.24kg + (0.065kg)×Tiers + [0.070kg] |                             |   |
|                                    |                      | WT   | Off white/Silver/Black | 0.15kg                               |                             |   |
|                                    | Sound Pressure Level | LR4  | Typ.85dB               |                                      |                             | Sound Reduction Approx. -10dB<br>Depending on DIP Switch Settings<br>Refer to the 6.Buzzer Pattern Set-up |
|                                    |                      | LR5  | Typ.85dB               |                                      |                             |   |
| LR6                                |                      | Typ.88dB   |                        |                                      |                             |   |
| LR7                                |                      | Typ.90dB   |                        |                                      |                             |   |
| Environmental Condition            |                      | Buzzer sound No.4 was measured from the total circumference of the Buzzer Unit at 1m   |                        |                                      |                             |   |
| Conformity Standards               |                      | UL 508, CSA-C22.2 No. 14, EMC Directive (EN 61000-6-4, EN 61000-6-2)<br>RoHS Directive (EN 50581), FCC Part15 SubpartB Class A<br>KC (KN 61000-6-4, KN 61000-6-2)  |                        |                                      |                             |   |
| Remarks                            |                      | (※1)Environmental Condition : Buzzer sound No.2 Continuous beep sound<br>(※2)LJ Type IP54<br>Due to the characteristics of the LED elements, a variation in difference of the color tone and brightness of every product may occur |                        |                                      |                             |   |

- This product is designed for use on a flat surface of a **Type 1 Enclosure**. (Conformity requirements for UL Standard)
- Use a "class 2" power supply specified in the guidelines under **UL1310**. (Conformity requirements for UL Standard)
- This equipment has been tested and found to comply with the limits for a Class A digital device, pursuant to Part 15 of the FCC Rules. These restrictions are limited to cases where this equipment is operated in a business district, and it is designed to take the relevant protective measures against electromagnetic noise hindrance.
- This product must not be used in residential areas.(Conformity requirements for CE Marking)

## General Specifications ( 01 )

|                                       |                   |  |      |                             |
|---------------------------------------|-------------------|--|------|-----------------------------|
| Model                                 |                   | LR5-□01□□□W  |      |                             |
| Rated Voltage                         |                   | 12V DC   |      |                             |
| Operating Voltage Range               |                   | Rated Voltage ±10%   |      |                             |
| Signal Wire Current<br>(Per Unit)     | Typ.              | LED Unit : 90mA<br>Buzzer Unit : 90mA (※1)   |      |                             |
|                                       | Max.              | LED Unit : 100mA<br>Buzzer Unit : 300mA (※1)   |      |                             |
| Inrush Current                        | Power Supply Wire | 0.7A / Less than 15ms  |      |                             |
|                                       | Signal Wire       | none   |      |                             |
| Rated Power Consumption<br>(Per Unit) | Typ.              | LED Unit : 1W<br>Buzzer Unit : 1.1W (※1)   |      |                             |
|                                       | Max.              | LED Unit : 1.1W<br>Buzzer Unit : 1.2W (※1)   |      |                             |
| Standby Power Consumption             |                   | LED Unit : none<br>Buzzer Unit : 0.3W<br>Body Unit : 0.1W  |      |                             |
| Operating Ambient Temperature         |                   | -20°C ~ +50°C  |      |                             |
| Operating Ambient Humidity            |                   | Less than 90% RH (No Condensation)   |      |                             |
| Storage Ambient Temperature           |                   | -30°C ~ +60°C  |      |                             |
| Storage Ambient Humidity              |                   | Less than 90% RH (No Condensation)   |      |                             |
| Mounting Location                     |                   | Indoor Only  |      |                             |
| Mounting Direction                    |                   | Upright  |      |                             |
| Protection Rating                     |                   | IP65(IEC 60529) (※2) / NEMA TYPE 4X,13   |      |                             |
| Environmental Condition               |                   | Upright  |      |                             |
| Insulation Resistance                 |                   | More than 1MΩ at 500VDC between live part and non-current carrying metallic part   |      |                             |
| Withstand Voltage                     |                   | 500VAC applied for 1min Between live part and non-current carrying metallic part without breaking insulation   |      |                             |
| Flashing Rate                         |                   | 60±2 Flashes Per Minute  |      |                             |
| Buzzer Sound<br>/Typical Frequency    | No.1              | Rapid intermittent beep / 3378Hz   | No.3 | Rapid Hi-Lo / 2016Hz&3012Hz |
|                                       | No.2              | Continuous beep sound / 3378Hz   | No.4 | Sweep sound / 1000Hz-4032Hz |
| Setting                               |                   | Depending on DIP Switch Settings Refer to the 6.Buzzer Pattern Set-up  |      |                             |
| Outer Dimensions                      |                   | Refer to the 3.Part Names and Outer Appearance<br>(LED Unit) + [Buzzer Unit]   |      |                             |
| Mass<br>(Tolerance±10%)               | WJ                | 0.2kg + (0.04kg)×Tiers + [0.05kg]  |      |                             |
|                                       | LJ                | 0.49kg + (0.04kg)×Tiers + [0.05kg]   |      |                             |
|                                       | PJ                | 0.38kg + (0.04kg)×Tiers + [0.05kg]   |      |                             |
| Sound Pressure Level                  | Typ.80dB          | Sound Reduction Approx. -10dB<br>Depending on DIP Switch Settings<br>Refer to the 6.Buzzer Pattern Set-up  |      |                             |
| Environmental Condition               |                   | Buzzer sound No.4 was measured from the total circumference of the Buzzer Unit at 1m   |      |                             |
| Conformity Standards                  |                   | UL 508, CSA-C22.2 No. 14, EMC Directive (EN 61000-6-4, EN 61000-6-2)<br>RoHS Directive (EN 50581), FCC Part15 SubpartB Class A<br>KC (KN 61000-6-4, KN 61000-6-2)  |      |                             |
| Remarks                               |                   | (※1)Environmental Condition : Buzzer sound No.2 Continuous beep sound<br>(※2)LJ Type IP54<br>Due to the characteristics of the LED elements, a variation in difference of the color tone and brightness of every product may occur |      |                             |

- This product is designed for use on a flat surface of a **Type 1 Enclosure**.  
(Conformity requirements for UL Standard)
- Use a "**class 2**" power supply specified in the guidelines under **UL1310**, (Conformity requirements for UL Standard)
- This equipment has been tested and found to comply with the limits for a Class A digital device, pursuant to Part 15 of the FCC Rules.  
These restrictions are limited to cases where this equipment is operated in a business district, and it is designed to take the relevant protective measures against electromagnetic noise hindrance.
- This product must not be used in residential areas.(Conformity requirements for CE Marking)

## General Specifications ( M2 )



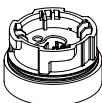
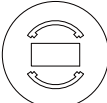
|                                       |   |  |   |
|---------------------------------------|---|--|---|
| Model                                 |   | LR□-□M2□□□W  |   |
| Rated Voltage                         |   | 100-240V AC (50/60Hz)  |   |
| Operating Voltage Range               |   | 90-250V AC (50/60Hz)   |   |
| Signal Wire Current<br>(Per Unit)     | Typ.  | LED Unit : 40mA<br>Buzzer Unit : 40mA (※1)   |   |
|                                       | Max.  | LED Unit : 45mA<br>Buzzer Unit : 300mA (※1)  |   |
| Inrush Current                        | Power Supply Wire   | at 25°C : 25A/ Less than 2ms (Cold-start)<br>at 50°C : 50A/ Less than 2ms (Cold-start)   |   |
|                                       | Signal Wire   | none   |   |
| Rated Power Consumption<br>(Per Unit) | Typ.  | LED Unit : 1.5W<br>Buzzer Unit : 1.5W (※1)   |   |
|                                       | Max.  | LED Unit : 1.8W<br>Buzzer Unit : 1.8W (※1)   |   |
| Standby Power Consumption             |   | LED Unit : none<br>Buzzer Unit : 0.2W<br>Body Unit : 0.2W  |   |
|                                       |   |  |   |
| Operating Ambient Temperature         |   | -20°C ~ +50°C  |   |
| Operating Ambient Humidity            |   | Less than 90% RH (No Condensation)   |   |
| Storage Ambient Temperature           |   | -30°C ~ +60°C  |   |
| Storage Ambient Humidity              |   | Less than 90% RH (No Condensation)   |   |
| Mounting Location                     |   | Indoor Only  |   |
| Mounting Direction                    |   | Upright  |   |
| Protection Rating                     |   | IP65(IEC 60529) / NEMA TYPE 4X,13  |   |
| Environmental Condition               |   | Upright  |   |
| Insulation Resistance                 |   | More than 1MΩ at 500VDC between live part and non-current carrying metallic part   |   |
| Withstand Voltage                     |   | 1500VAC applied for 1min Between live part and non-current carrying metallic part without breaking insulation  |   |
| Flashing Rate                         |   | 60±2 Flashes Per Minute  |   |
| Buzzer Sound<br>/Typical Frequency    | No.1  | Rapid intermittent beep / 3378Hz   | No.3 Rapid Hi-Lo / 2016Hz&3012Hz  |
|                                       | No.2  | Continuous beep sound / 3378Hz   | No.4 Sweep sound / 1000Hz-4032Hz  |
| Setting                               | Depending on DIP Switch Settings Refer to the 6.Buzzer Pattern Set-up |  |   |
| Outer Dimensions                      |   | Refer to the 3.Part Names and Outer Appearance<br>(LED Unit) + [Buzzer Unit]   |   |
| Mass<br>(Tolerance±10%)               | LR4   | WJ   | 0.25kg + (0.035kg) × Tires + [0.035kg]  |
|                                       |   | PJ   | 0.44kg + (0.035kg) × Tires + [0.035kg]  |
|                                       | LR6   | WJ   | 0.32kg + (0.06kg) × Tires + [0.060kg]   |
|                                       |   | PJ   | 0.50kg + (0.06kg) × Tires + [0.060kg]   |
| Sound Pressure Level                  | LR4   | Typ.85dB   | Sound Reduction Approx. -10dB<br>Depending on DIP Switch Settings<br>Refer to the 6.Buzzer Pattern Set-up |
|                                       | LR6   | Typ.88dB   |   |
| Environmental Condition               |   | Buzzer sound No.4 was measured from the total circumference of the Buzzer Unit at 1m   |   |
|                                       |   | UL 508, CSA-C22.2 No. 14 , EMC Directive (EN 61000-6-4, EN 61000-6-2)<br>RoHS Directive (EN 50581), FCC Part15 SubpartB Class A<br>KC (KN 61000-6-4, KN 61000-6-2)   |   |
|                                       |   | (※1)Environmental Condition : Buzzer sound No.2 Continuous beep sound<br>Due to the characteristics of the LED elements, a variation in difference of the color tone and brightness of every product may occur |   |


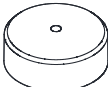
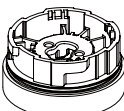
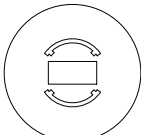
- When a regulated power supply is not being used, select a fuse that meets class CC or more.
- Use a **fuse holder** with UL standard certification. (Conformity requirements for UL Standard)
- This product is designed for use on a flat surface of a **Type 1 Enclosure**.  
(Conformity requirements for UL Standard)
- This equipment has been tested and found to comply with the limits for a Class A digital device, pursuant to Part 15 of the FCC Rules. These restrictions are limited to cases where this equipment is operated in a business district, and it is designed to take the relevant protective measures against electromagnetic noise hindrance.
- This product must not be used in residential areas.(Conformity requirements for CE Marking)


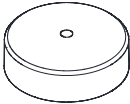
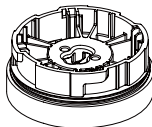
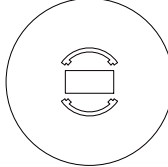


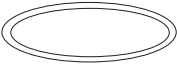
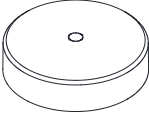
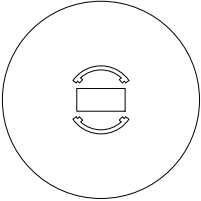
# 11 Replacement Parts

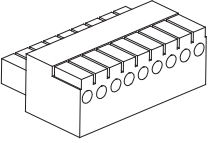
The following replacement parts for this product are available for the customer to change or replace.

| Replacement Parts for LR4   |   |   |   |
|---|---|---|---|
| O-ring 40   | Head Cover 40 [W/U]   | Pole Bracket 40 [W/U]   | Filter Sheet 40   |
|  |  |  |  |
| 5pcs.   |   |   | 5pcs.   |

| Replacement Parts for LR5   |   |   |   |
|---|---|---|---|
| O-ring 50   | Head Cover 50[W/U/K]  | Pole Bracket 50 [W/U/K]   | Filter Sheet 50   |
|  |  |  |  |
| 5pcs.   |   |   | 5pcs.   |

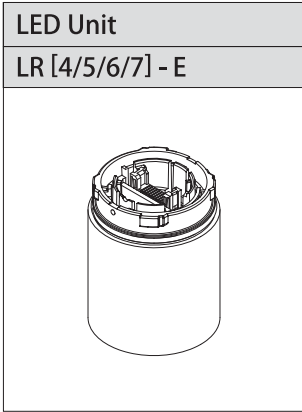
| Replacement Parts for LR6   |   |   |  |
|---|---|---|--|
| O-ring 60   | Head Cover 60 [W/U]   | Pole Bracket 60 [W/U]   | Filter Sheet 60  |
|  |  |  |  |
| 5pcs.   |   |   | 5pcs.  |

| Replacement Parts for LR7   |   |   |
|---|---|---|
| O-ring 50   | Head Cover 70[W/U/K]  | Filter Sheet 70   |
|  |  |  |
| 5pcs.   |   | 5pcs.   |

| Replacement Parts for WT  |
|---|
| Terminal Block  |
|  |

# 12 Optional Parts

The following optional parts for this product. (Upper : Product Name , Lower : Model)



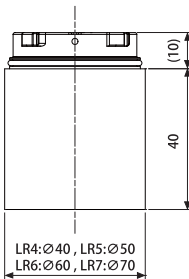
## Model Number Configuration

|          |             |   |          |          |                |   |
|----------|-------------|---|----------|----------|----------------|---|
|          | Series Name |   |          |          | LED Unit Color |   |
| LED Unit | <b>LR</b>   | ↓ | <b>-</b> | <b>E</b> | -              | ↓ |

|          |      |          |      |
|----------|------|----------|------|
| <b>4</b> | Φ 40 | <b>6</b> | Φ 60 |
| <b>5</b> | Φ 50 | <b>7</b> | Φ 70 |

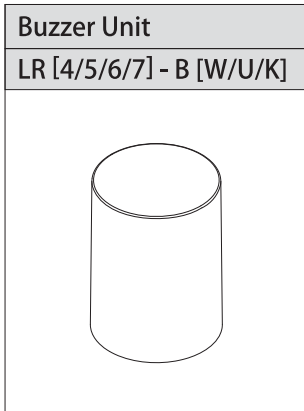
|          |         |          |         |
|----------|---------|----------|---------|
| <b>R</b> | : Red   | <b>Y</b> | : Amber |
| <b>G</b> | : Green | <b>B</b> | : Blue  |
| <b>C</b> | : White |          |         |

## Outer Dimensions



## General Specifications

|                                      |  |         |
|--------------------------------------|--|---------|
| <b>Model</b>                         | LR□-E-□  |         |
| <b>Operating Ambient Temperature</b> | -20°C ~ +50°C  |         |
| <b>Operating Ambient Humidity</b>    | Less than 90% RH (No Condensation)   |         |
| <b>Mass</b><br>(Tolerance : ±10%)    | LR4  | 0.035kg |
|                                      | LR5  | 0.040kg |
|                                      | LR6  | 0.060kg |
|                                      | LR7  | 0.065kg |
| <b>Conformity Standards</b>          | UL508, CSA-C22.2 No. 14<br>EMC Directive (EN 61000-6-4, EN 61000-6-2)<br>RoHS Directive (EN 50581)                                     |         |
| <b>Remarks</b>                       | Due to the characteristics of the LED elements, a variation in difference of the color tone and brightness of every product may occur. |         |



## Model Number Configuration

|             | Series Name |   |     | Body Color |
|-------------|-------------|---|-----|------------|
| Buzzer Unit | LR          | ↓ | - B | W          |

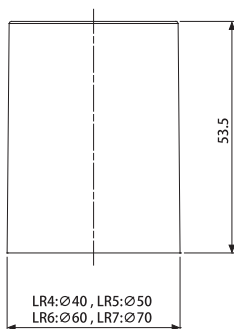
  

|   |      |   |      |
|---|------|---|------|
| 4 | Φ 40 | 6 | Φ 60 |
| 5 | Φ 50 | 7 | Φ 70 |

|   |                 |
|---|-----------------|
| W | Off-White       |
| U | Silver          |
| K | Black (LR5/LR7) |

## Outer Dimensions

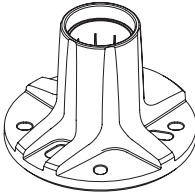


## General Specifications

|                                    |   |                                 |
|------------------------------------|---|---------------------------------|
| Model                              | LR□-BW  |                                 |
| Operating Ambient Temperature      | -20°C ~ +50°C   |                                 |
| Operating Ambient Humidity         | Less than 90% RH (No Condensation)  |                                 |
| Mass<br>(Tolerance : ±10%)         | LR4   | 0.035kg                         |
|                                    | LR5   | 0.050kg                         |
|                                    | LR6   | 0.060kg                         |
|                                    | LR7   | 0.070kg                         |
| Buzzer Sound<br>/Typical Frequency | No.1  | Rapid intermittent beep/ 3378Hz |
|                                    | No.2  | Continuous Beep Sound/ 3378Hz   |
|                                    | No.3  | Rapid Hi-Lo/ 2016Hz&3012Hz      |
|                                    | No.4  | Sweep sound/ 1000Hz~4032Hz      |
| Sound Pressure Level               | LR4   | Typ.85dB                        |
|                                    | LR5   | Typ.85dB (※Typ.80dB)            |
|                                    | LR6   | Typ.88dB                        |
|                                    | LR7   | Typ.90dB                        |
| Environmental Condition            | Buzzer sound No.4 was measured from the total circumference of the buzzer Unit at 1m  |                                 |
| Conformity Standards               | UL508, CSA-C22.2 No. 14<br>EMC Directive (EN 61000-6-4, EN 61000-6-2)<br>RoHS Directive (EN 50581)<br>FCC Part15 SubpartB Class A |                                 |
| Remarks                            | ※When LR5-01 (12V DC type) is attached.   |                                 |

## Pole Bracket

SZP-001W



Accessory : Waterproof Packing  
Pole Waterproof Ring  
Binding Head Tapping Screw (2pcs.)

## Applicable Models

LR4- PJ QJ , LR5- PJ , LR6- PJ QJ

## Applicable Pole

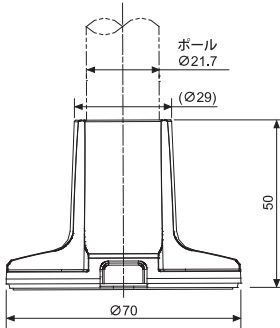
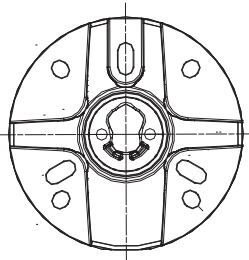
POLE22-0100AN, POLE22-0300AN

## Specifications

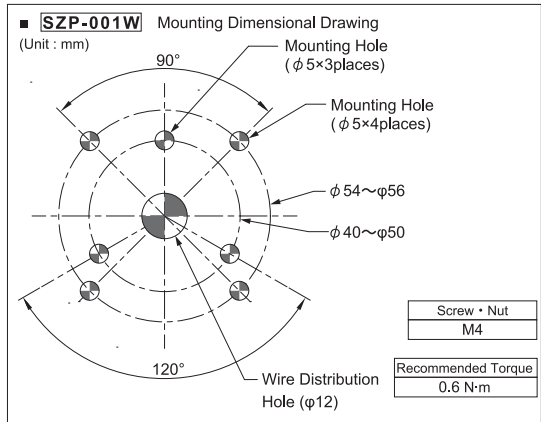
|   |  |
|---|--|
| Model   | SZP-001W   |
| Mounting Location                                 | Indoor Only  |
| Protection Rating                                 | IP65(Product Attachment)   |
| Material  | PC   |
| Mass (Tolerance $\pm 10\%$ )<br>※Accessory Remove | 0.04kg   |
| Remarks   | There are no contents of controlled substances exceeding the threshold for the RoHS Directive. |

<Note> • It's possible to take a cable out from a side.

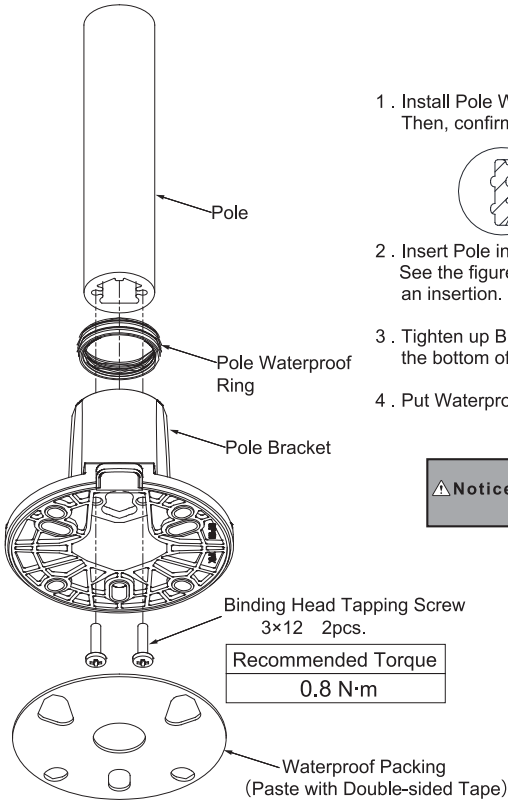
## Outer Dimensions



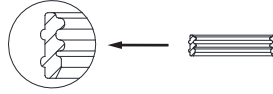
## Mounting Dimensional Drawing



## How to Install to Pole



1. Install Pole Waterproof Ring in Pole Bracket.  
Then, confirm that 2 ribs become outside.



2. Insert Pole in Pole Bracket.  
See the figure on the left for the detail of a direction of an insertion.
3. Tighten up Binding Head Tapping Screws from (2pcs.) the bottom of Pole Bracket.
4. Put Waterproof Packing on the bottom of Pole Bracket.

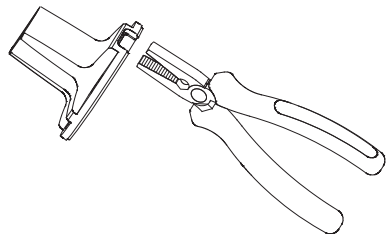
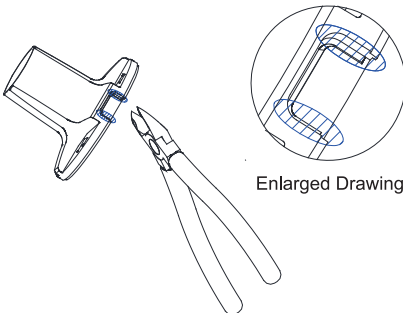
### △ Notice

Installing with materials other than specific Accessory is not covered under warranty.

## Take a cable cut from a side (Processing Method)

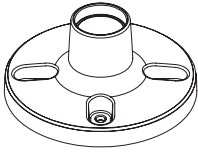
This parts are possible to take a cable out from a side.

1. Cut Slanted line part of the Enlarged Drawing 2 places with nippers.
2. Break it with pliers. When there is Bali, please handle it appropriately.



## Pole Bracket

SZP-002U



Accessory : Waterproof Packing  
Binding Head Tapping Screw (2pcs.)

## Applicable Models

LR4- PJ QJ , LR5- PJ , LR6- PJ QJ

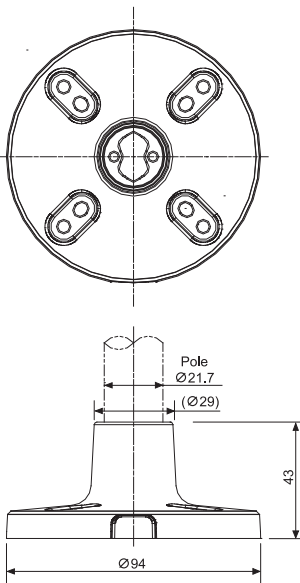
Applicable Pole POLE22-0100AN  
POLE22-0300AN, POLE22-0800AN

## Specifications

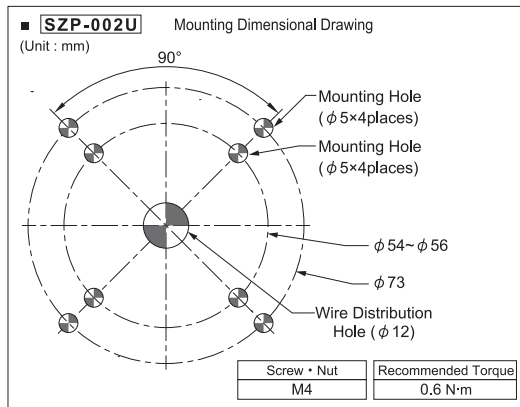
|   |  |
|---|--|
| Model   | SZP-002U   |
| Mounting Location                                 | Indoor Only  |
| Protection Rating                                 | IP20(Product Attachment)   |
| Material  | ADC12  |
| Mass (Tolerance $\pm 10\%$ )<br>※Accessory Remove | 0.11kg   |
| Remarks   | There are no contents of controlled substances exceeding the threshold for the RoHS Directive. |

〈Note〉 ● It's possible to take a cable out from a side.

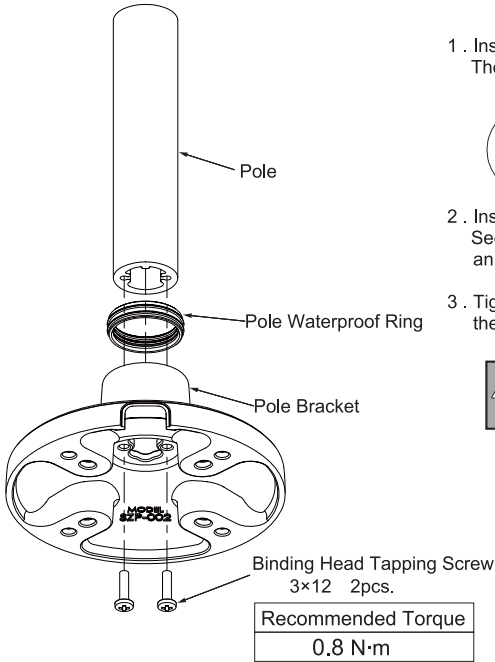
## Outer Dimensions



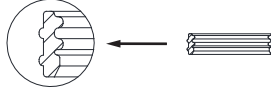
## Mounting Dimensional Drawing



## How to Install to pole



- 1 . Install Pole Waterproof Ring in Pole Bracket.  
Then, confirm that 2 ribs become outside



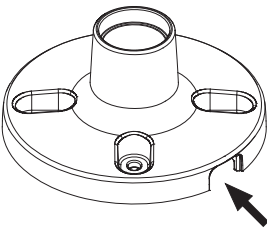
- 2 . Insert Pole in Pole Bracket.  
See the figure on the left for the detail of a direction of an insertion.
- 3 . Tighten up Binding Head Tapping Screws (2pcs.) from the bottom of Pole Bracket.

### ⚠ Notice

Installing with materials other than specific Accessory is not covered under warranty.

## Take a cable cut from a side

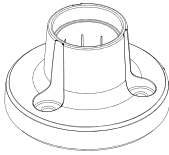
This parts are possible to take a cable out from a side.  
Because it has been processed,Take a cable out of an arrow part.





## Pole Bracket

SZP-003W



Accessory : Waterproof Packing  
Pole Waterproof Ring  
Binding Head Tapping Screw (2pcs.)

## Applicable Models

LR4- PJ QJ , LR5- PJ , LR6- PJ QJ

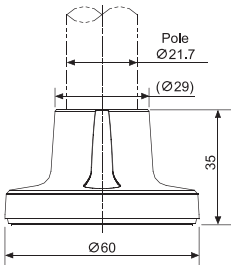
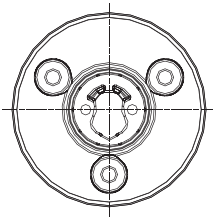
## Applicable Pole

POLE22-0100AN, POLE22-0300AN

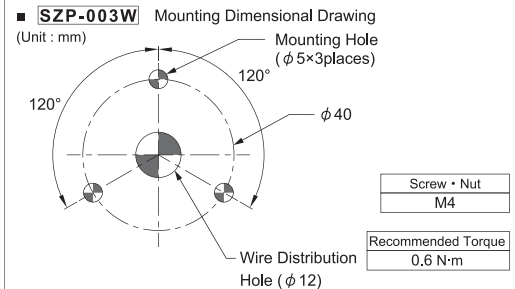
## Specifications

|   |  |
|---|--|
| Model   | SZP-003W   |
| Mounting Location                                 | Indoor Only  |
| Protection Rating                                 | IP65(Product Attachment)   |
| Material  | PC   |
| Mass (Tolerance $\pm 10\%$ )<br>※Accessory Remove | 0.03kg   |
| Remarks   | There are no contents of controlled substances exceeding the threshold for the RoHS Directive. |

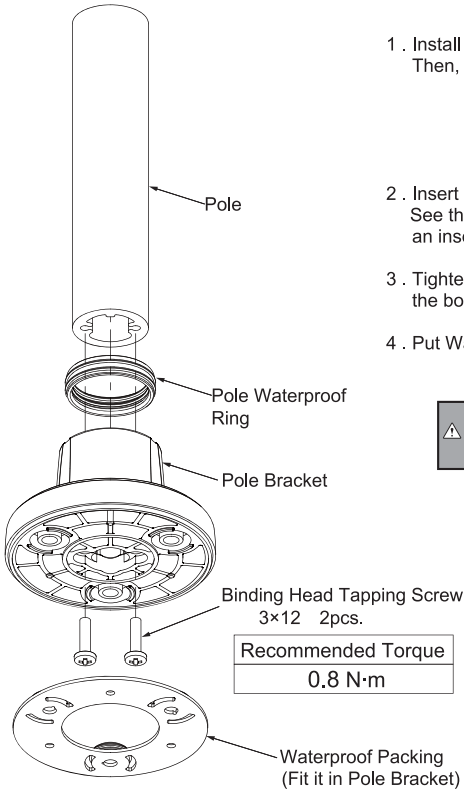
## Outer Dimensions



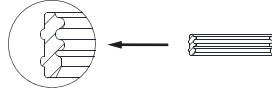
## Mounting Dimensional Drawing



## How to Install to pole



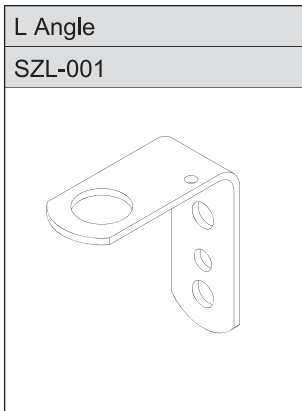
1. Install Pole Waterproof Ring in Pole Bracket.  
Then, confirm that 2 ribs become outside.



2. Insert Pole in Pole Bracket.  
See the figure on the left for the detail of a direction of an insertion.
3. Tighten up Binding Head Tapping Screws (2pcs.) from the bottom of Pole Bracket.
4. Put Waterproof Packing on the bottom of Pole Bracket.

|               |  |
|---------------|--|
| <b>Notice</b> | Installing with materials other than specific Accessory is not covered under warranty. |
|---------------|--|

|                    |
|--------------------|
| Recommended Torque |
| 0.8 N·m            |



## Applicable Models

LR4-LJ, LR5-LJ, LR6-LJ

## Applicable Pole

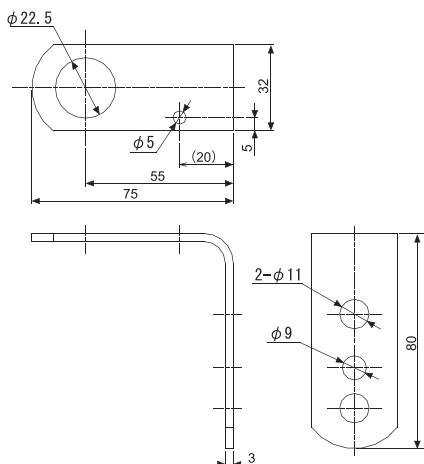
POLE22-0300AT

POLE22-0500AT, POLE22-1000AT

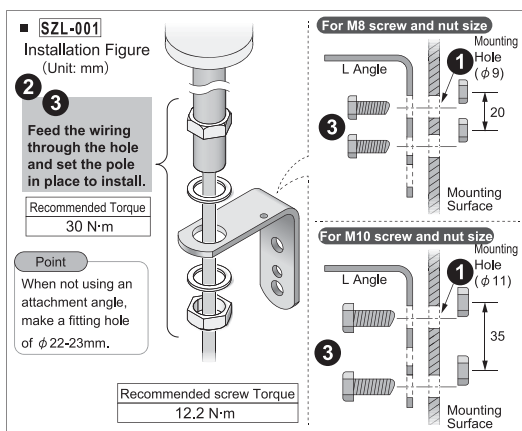
## Specifications

|                              |  |
|------------------------------|--|
| Model                        | SZL-001  |
| Mounting Location            | indoor Only  |
| Material                     | SPHC-P   |
| Mass (Tolerance $\pm 10\%$ ) | 0.09kg   |
| Remarks                      | There are no contents of controlled substances exceeding the threshold for the RoHS Directive. |

## Outer Dimensions



## Installation Figure





### Applicable Models

LR4- PJ QJ , LR5- PJ , LR6- PJ QJ

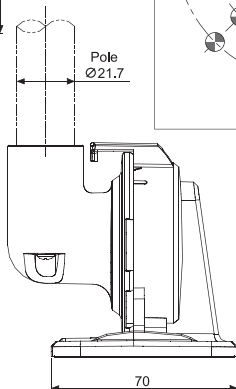
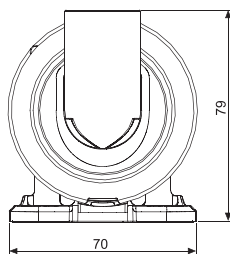
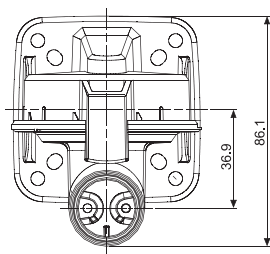
### Applicable Pole

POLE22-0100AN, POLE22-0300AN

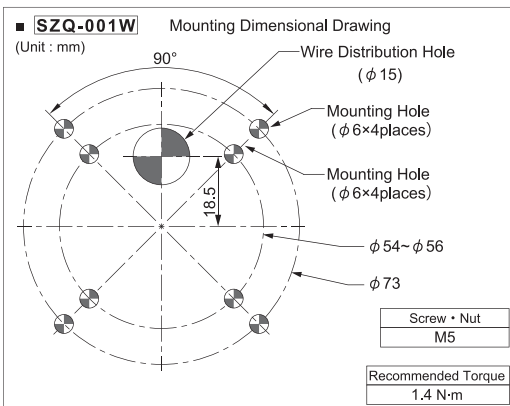
### Specifications

|   |  |
|---|--|
| Model   | SZQ-001W   |
| Mounting Location                                 | Indoor Only  |
| Protection Rating                                 | IP65(Product Attachment)   |
| Material  | PC   |
| Mass (Tolerance $\pm 10\%$ )<br>※Accessory Remove | 0.09kg   |
| Remarks   | There are no contents of controlled substances exceeding the threshold for the RoHS Directive. |

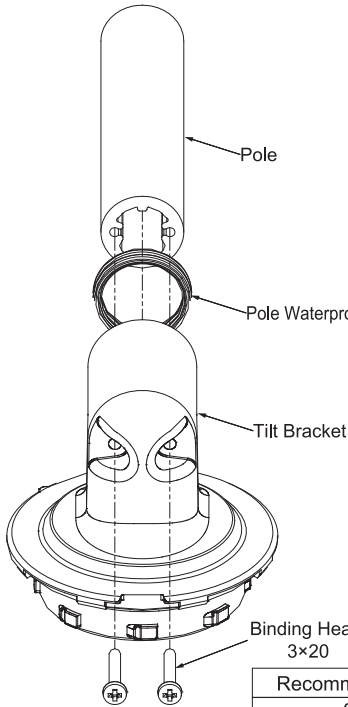
### Outer Dimensions



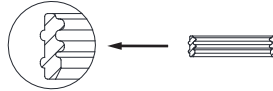
### Mounting Dimensional Drawing



## How to Install to Pole



- 1 . Install Pole Waterproof Ring in Tilt Bracket.  
Then, confirm that 2 ribs become outside.



- 2 . Insert Pole in Tilt Bracket.  
See the figure on the left for the detail of a direction of an insertion.
- 3 . Tighten up Binding Head Tapping Screws from the bottom of Tilt Bracket.
- 4 . Put Waterproof Packing on the bottom of Tilt Bracket.

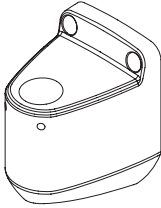
### ⚠ Notice

Installing with materials other than specific Accessory is not covered under warranty.

|                    |
|--------------------|
| Recommended Torque |
| 0.8 N·m            |

## Wallmount Bracket

SZK-001U



Accessory : Hexagon Socket Set Screw  
(2 pcs.)

Applicable Models

LR4- PJ QJ

, LR5- PJ

LR6- PJ QJ

Applicable Pole

POLE22-0100AN

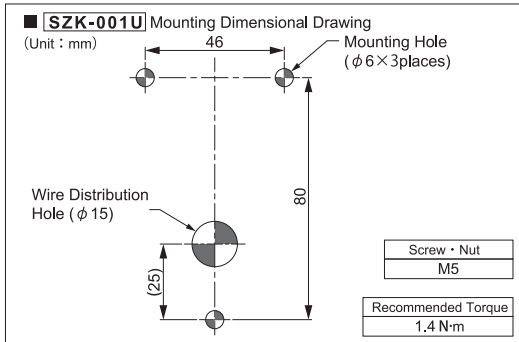
POLE22-0300AN

POLE22-0800AN

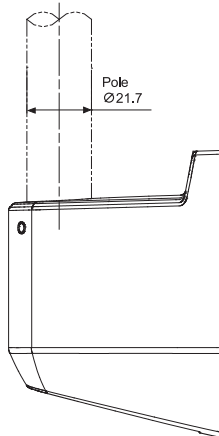
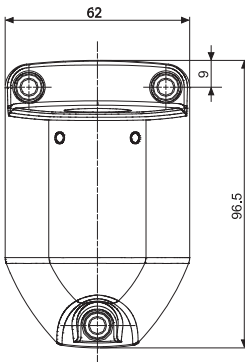
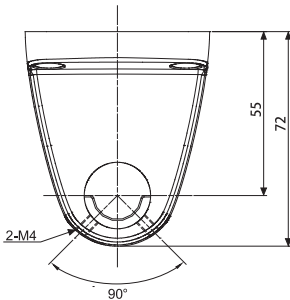
## Specifications

|   |  |
|---|--|
| Model   | SZK-001U   |
| Mounting Location                                 | Indoor Only  |
| Protection Rating                                 | IP20(Product Attachment)   |
| Material  | ADC12  |
| Mass (Tolerance $\pm 10\%$ )<br>※Accessory Remove | 0.19kg   |
| Remarks   | There are no contents of controlled substances exceeding the threshold for the RoHS Directive. |

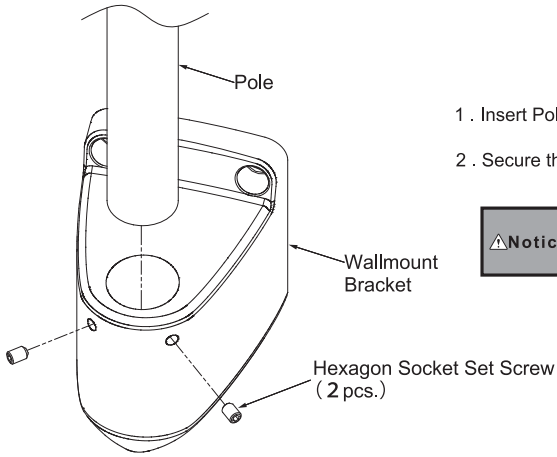
## Mounting Dimensional Drawing



## Outer Dimensions



## How to Install to Pole



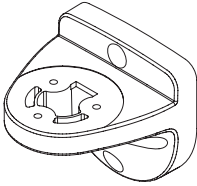
- 1 . Insert Pole in tilt bracket.
- 2 . Secure the Pole with the Hexagon Socket Set Screws. (2pcs.)

### ⚠ Notice

Installing with materials other than specific Accessory is not covered under warranty.

Wallmount Bracket

SZK-002 [W/U]

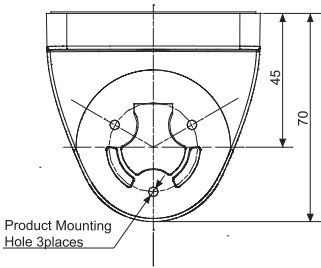


Applicable Models **LR4 - WJ** , **LR5 - WJ** **WT**

### Specifications

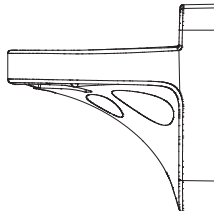
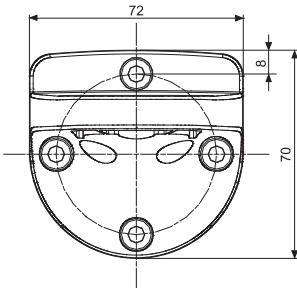
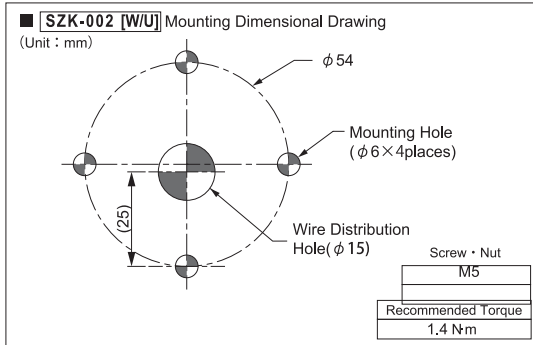
|   |  |
|---|--|
| Model   | SZK-002 [W/U]  |
| Mounting Location                                 | Indoor Only  |
| Protection Rating                                 | IP65(Product Attachment)   |
| Material  | PC   |
| Mass (Tolerance $\pm 10\%$ )<br>※Accessory Remove | 0.06kg   |
| Remarks   | There are no contents of controlled substances exceeding the threshold for the RoHS Directive. |

### Outer Dimensions



Product Mounting Hole 3places

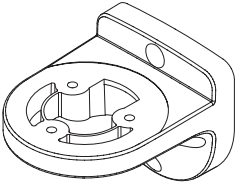
### Mounting Dimensional Drawing





Wallmount Bracket

SZK-003 [W/U]



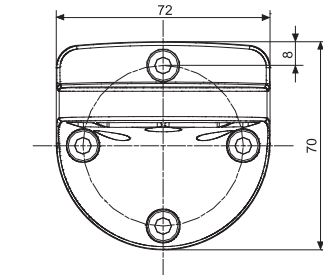
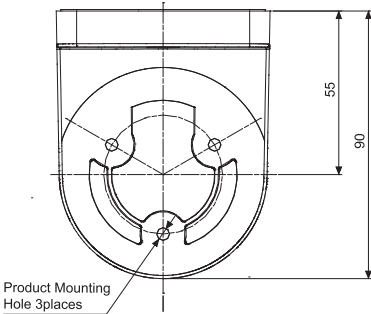
Applicable Models

LR6-WJ, LR7-WJ, WT

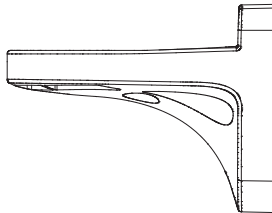
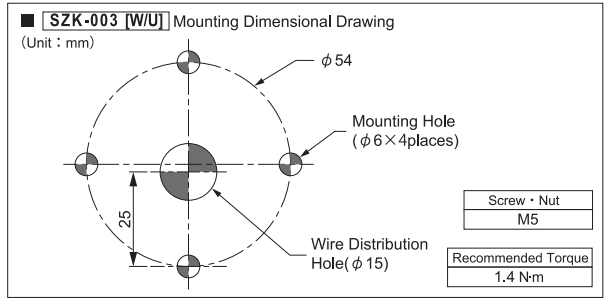
Specifications

|   |  |
|---|--|
| Model   | SZK-003 [W/U]  |
| Mounting Location                                 | Indoor Only  |
| Protection Rating                                 | IP65(Product Attachment)   |
| Material  | PC   |
| Mass (Tolerance $\pm 10\%$ )<br>※Accessory Remove | 0.07kg   |
| Remarks   | There are no contents of controlled substances exceeding the threshold for the RoHS Directive. |

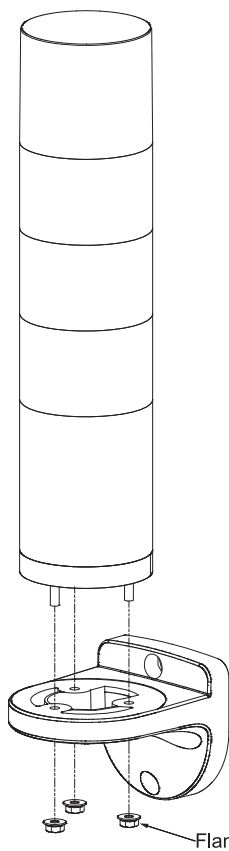
Outer Dimensions



Mounting Dimensional Drawing



## How to Product Attachment



1 . Product is attach in the Wallmount Bracket with the left figure.

2 . Secure the Product with the Flanged nut . (3pcs.)

|                    |
|--------------------|
| Recommended Torque |
|--------------------|

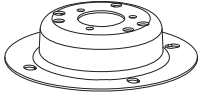
|         |
|---------|
| 0.6 N·m |
|---------|

**△Notice**

Installing with materials other than specific Accessory is not covered under warranty.

## Direct Mount Bracket

SZW-001W



## Applicable Models

LR4 - WJ

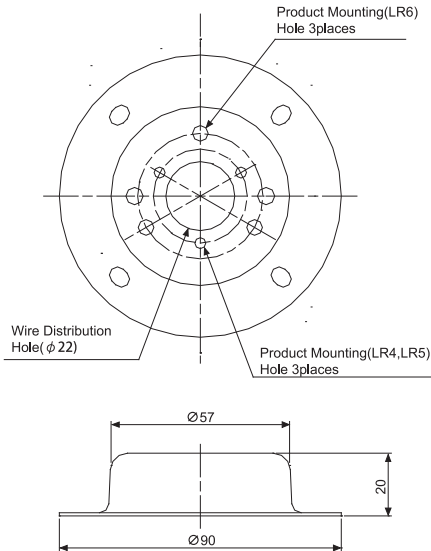
LR5 - WJ WT

LR6 - WJ

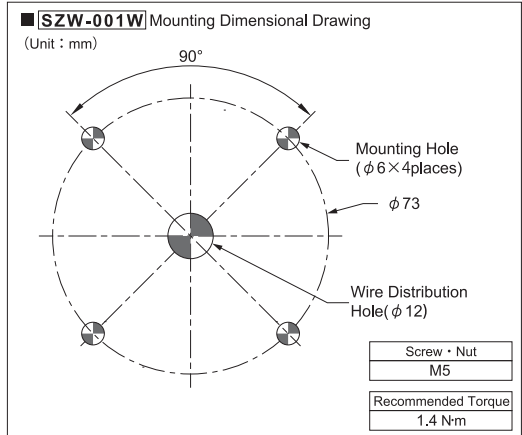
## Specifications

|   |  |
|---|--|
| Model   | SZW-001W   |
| Mounting Location                                 | Indoor Only  |
| Material  | SPCE   |
| Mass (Tolerance $\pm 10\%$ )<br>※Accessory Remove | 0.06kg   |
| Remarks   | There are no contents of controlled substances exceeding the threshold for the RoHS Directive. |

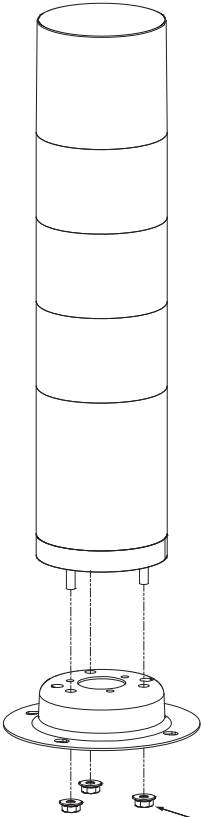
## Outer Dimensions



## Mounting Dimensional Drawing



## How to Product Attachment




Flanged nut (3pcs.)

- 1 . Product is attach in the Direct Mount Bracket with the left figure.
- 2 . Secure the Product with the Flanged nut . (3pcs.)

|                    |
|--------------------|
| Recommended Torque |
| 0,6 N·m            |

|                 |  |
|-----------------|--|
| <b>⚠ Notice</b> | Installing with materials other than specific Accessory is not covered under warranty. |
|-----------------|--|

|   |
|---|
| Pole N  |
| POLE22- [0100/0300/0800] AN   |
|  |
| Accessory : Pole Waterproof Ring<br>Binding Head Tapping Screw (2pcs.)            |

### Applicable Models

LR4- PJ LJ QJ

LR5- PJ LJ ,LR6- PJ LJ QJ

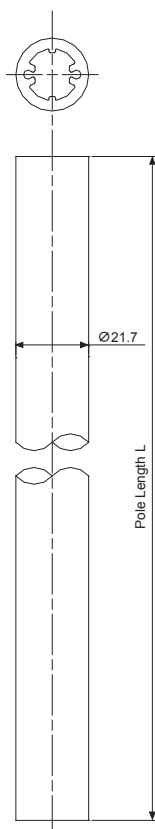
### Applicable Optional Parts

|               | SZP-001W | SZP-002U | SZP-003W | SZQ-001W | SZK-001U |
|---------------|----------|----------|----------|----------|----------|
| POLE22-0100AN | ○        | ○        | ○        | ○        | ○        |
| POLE22-0300AN | ○        | ○        | ○        | ○        | ○        |
| POLE22-0800AN | ×        | ○        | ×        | ×        | ○        |

### Specifications

| Model                                      | POLE22-0100AN  | POLE22-0300AN | POLE22-0800AN |
|--|--|---------------|---------------|
| Mounting Location                          | Indoor Only  |               |               |
| Pole length L (mm)                         | 100  | 300           | 800           |
| Material                                   | AL   |               |               |
| Mass (Tolerance ±10%)<br>※Accessory Remove | 0.05kg   | 0.16kg        | 0.42g         |
| Remarks                                    | There are no contents of controlled substances exceeding the threshold for the RoHS Directive. |               |               |

### Outer Dimensions




### Notice

- When using a resin bracket, Use the pole which is 300mm or less in pole.
- When using the pole which is 500mm or more in length, Use an AL Bracket.

| Model                 | POLE22-0100AN  | POLE22-0300AN | POLE22-0800AN |
|-----------------------|--|---------------|---------------|
| Mounting Location     | Indoor Only  |               |               |
| Pole Length L (mm)    | 100  | 300           | 800           |
| Material              | AL   |               |               |
| Mass (Tolerance ±10%) | 0.05kg   | 0.16kg        | 0.42g         |
| Remarks               | There are no contents of controlled substances exceeding the threshold for the RoHS Directive. |               |               |

Pole T

POLE22- [0300/0500/1000] AT



Accessory : Hexagon Nut (2pcs.)  
Plain Washer (2pcs.)  
Binding Head Tapping Screw (2pcs.)

**Applicable Models**

LR4- PJ LJ QJ

LR5- PJ LJ, LR6- PJ LJ QJ

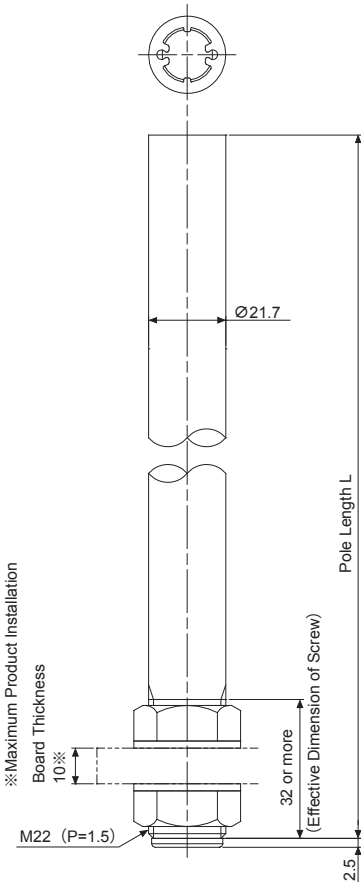
**Applicable Models**

SZL-001

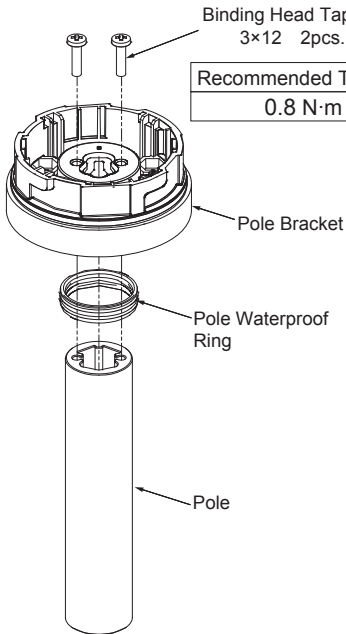
**Specifications**

| Model                                      | POLE22-0300AT  | POLE22-0500AT | POLE22-1000AT |
|--|--|---------------|---------------|
| Mounting Location                          | Indoor Only  |               |               |
| Pole Length L (mm)                         | 300  | 500           | 1000          |
| Material                                   | AL   |               |               |
| Mass (Tolerance ±10%)<br>※Accessory Remove | 0.15kg   | 0.26kg        | 0.52g         |
| Remarks                                    | There are no contents of controlled substances exceeding the threshold for the RoHS Directive. |               |               |

**Outer Dimensions**



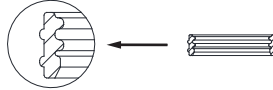
## How to Install to Pole Bracket



Binding Head Tapping Screw  
3×12 2pcs.

Recommended Torque  
0.8 N·m

1. Install Pole Waterproof in Pole installed in the signal tower to Pole.  
Then, confirm that 2 ribs become outside.



2. Insert Pole in Bracket.  
See the figure on the left for the detail of a direction of an insertion.
3. Tighten up Binding Head Tapping Screws from (2pcs.) the upper of Pole Bracket.

**⚠ Notice** Installing with materials other than specific Accessory is not covered under warranty.

# PATLITE Corporation

G2G

**PATLITE Corporation** ※Head office ■<http://www.patlite.com/>  
4-1-3, Kyutaromachi, Chuo-ku, Osaka 541-0056 Japan

**PATLITE (U.S.A.) Corporation** ■<http://www.patlite.com/>

**PATLITE Europe GmbH** ※Germany ■<http://www.patlite.eu/>

**PATLITE (SINGAPORE) PTE LTD** ■<http://www.patlite.com/>

**PATLITE (CHINA) Corporation** ■<http://www.patlite.cn/>

**PATLITE KOREA CO., LTD.** ■<http://www.patlite.co.kr/>

**PATLITE TAIWAN CO., LTD.** ■<http://www.patlite.tw/>

**PATLITE (THAILAND) CO., LTD.** ■<http://www.patlite.co.th/>

- (Note) • Dimensions and specifications may change without notice due to continual product improvement.  
• PATLITE and the PATLITE logo is a trademark, or registered trademark of the PATLITE Corporation of Japan and each country.

|            |   |
|------------|---|
| B95100502  | A |
| '16.09.WEB |   |



## **X-ON Electronics**

Largest Supplier of Electrical and Electronic Components

*Click to view similar products for [Patlite](#) manufacturer:*

Other Similar products are found below :

[LR6-E-B](#) [MPS-302-RYG](#) [LR4-BU](#) [LR5-02PJNW](#) [LR5-102WJBW-Y](#) [LR5-102WJNW-R](#) [NH-WST](#) [VSST-LR6-502LJBW-RYGBC](#) [LR5-02WTNU](#) [VSST-LR6-302LJNW-RYG](#) [LR5-102WJNW-G](#) [LR6-02LJNW](#) [VSST-LR6-302LJBW-RYG](#) [VSST-LR6-502LJNW-RYGBC](#) [LR4-302LJBW-RYG](#) [LR6-02PJNW](#) [LR6-302PJNW-RYG](#) [LR7-02WTNU](#) [BDV-15JF-K](#) [BSV-24P-W](#) [LR6-302LJBW-RYG](#) [LR6-302LJNW-RYG](#) [SZ-50L](#) [LR4-02QJNW](#) [LR4-02WJNW](#) [SZ-020](#) [SZK-001U](#) [LR5-E-R](#) [CLA3S-24-CD](#) [LU7-E-B](#)