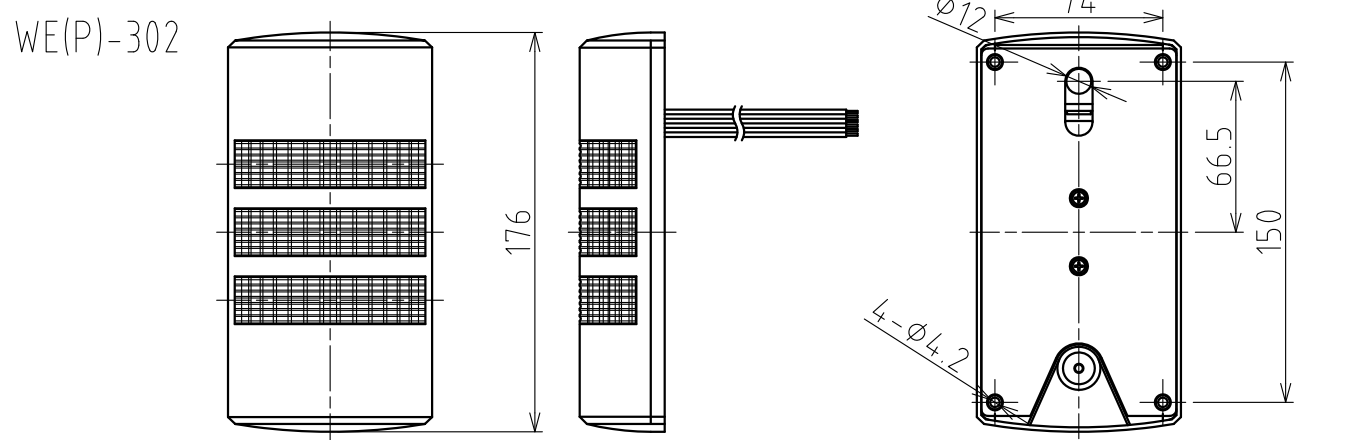
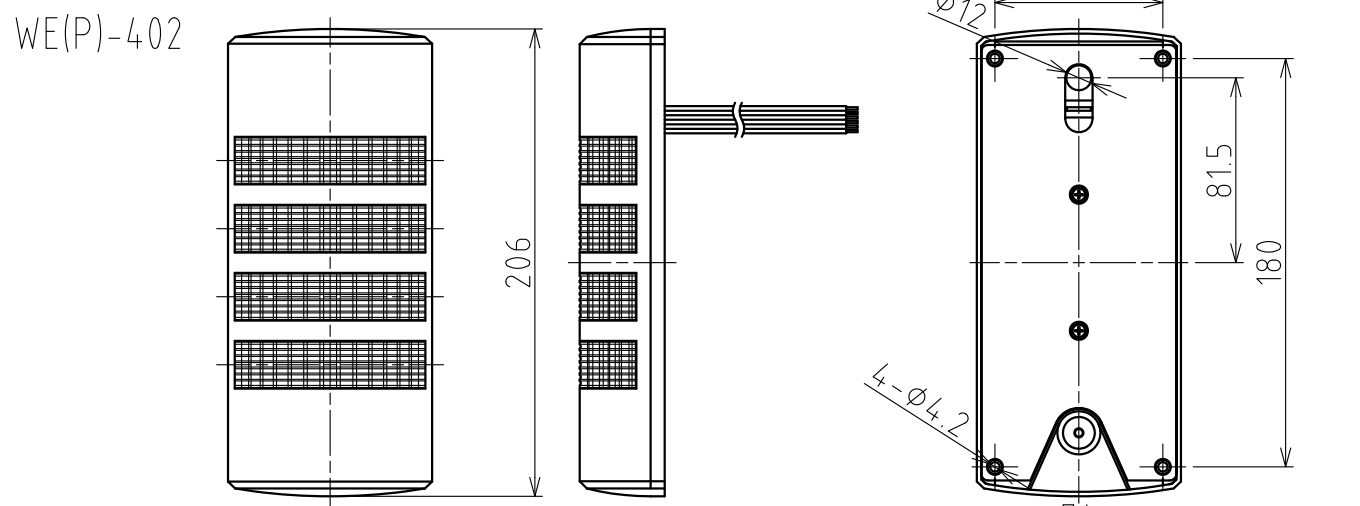
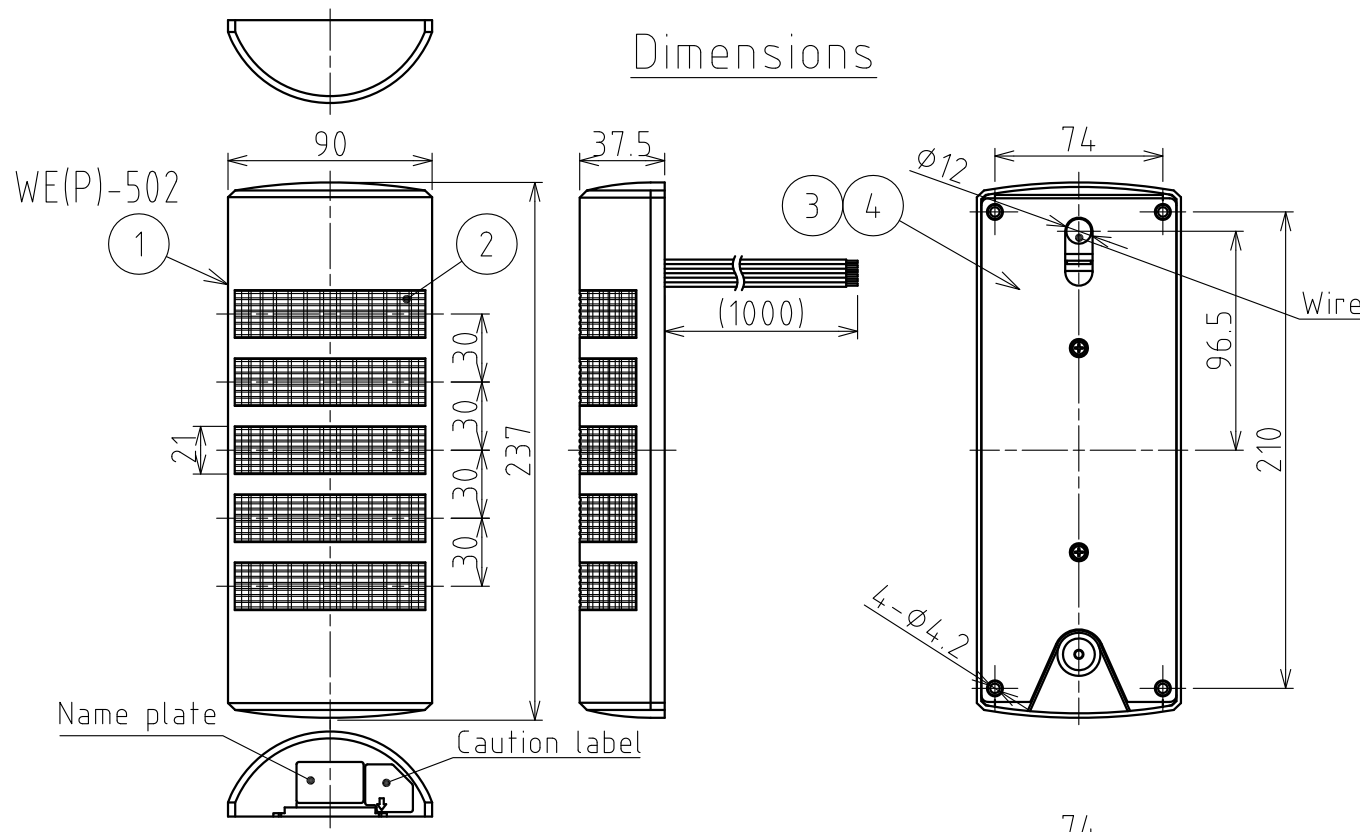


SPECIFICATIONS

Model	5 lights	WE-502			WEP-502	
	4 lights	WE-402			WEP-402	
	3 lights	WE-302			WEP-302	
Surface of cover		Chromium plating			Not plating (Light gray)	
Rated voltage		24V AC/DC (50/60Hz)				
Operating voltage		Rated voltage \pm 10%				
Current consumption	Per light					
		Red	Amber	Green	Blue	White
	Typ.	24 mA			17 mA	
	Max.	28 mA	27 mA	23 mA		
Operating temperature range (Relative humidity)		- 30°C ~ + 60°C (Less than 90%)				
Mounting place		Indoor only				
Mounting direction		Upright, Updown, Sideways				
Protection rating		IP65				
Vibration proof		19.6 m/s ² (30Hz)				
Insulation resistance		To be measured by an insulation measuring device of 500VDC between the terminals and the chassis. More than 1M Ω				
Withstand voltage		500VAC being applied between the terminals and the chassis for 1 minute. Not braking insulation				
Luminous intensity		Red	Amber	Green	Blue	White
		600 mcd or more	800 mcd or more	2000 mcd or more	600 mcd or more	1800 mcd or more
Mass	3 lights		4 lights		5 lights	
	0.30 kg		0.33 kg		0.35 kg	
No. WE-502-A18A-1/2						
<ul style="list-style-type: none"> ● This product confirms to the CE requirements and CE Marking is indicated. ● Recognized as UL standard. (Standard No.UL508, File No. E215660) ● This product complies with the RoHS Directive(DIRECTIVE 2002/95/EC) 						
PATLITE Corporation				App.by	Chk.by	Drn.by
				H.Enjoji 5.Mar '08	/	Y.Nagayama 5.Mar '08

Dimensions



Model No. configuration

WE □ - □ □ □ - □ □ □ □ □

- Body finish
P : No plating
None : Plating
- Light style
3: 3 lights
4: 4 lights
5: 5 lights
- Rated voltage
02: 24V AC/DC
- LED unit color
(R:Red/Y:Amber/G:Green
/B:Blue/C:White)
* Arranged in top-to-bottom order.



X-ON Electronics

Largest Supplier of Electrical and Electronic Components

Click to view similar products for [Patlite](#) manufacturer:

Other Similar products are found below :

[BDV-15JF-K](#) [BSV-24P-D](#) [BSV-24P-W](#) [CLA1S-24A-CD-30](#) [CLA2S-24A-CD-30](#) [CLA3S-24A-CD-30](#) [CLK3C-24AG-CD](#) [CLN-24A-CD-PT](#)
[CLN-24A-CD-T](#) [CWF-001](#) [CWF-002](#) [CWF3S-24-CD](#) [CWK2S-24-CD](#) [CWK3C-24-CD+FL008](#) [CWK3S-24-CD](#) [CWK6S-24-CD](#) [EHS-](#)
[M1TE](#) [EHV-M1TG](#) [LA6-3DTNUB-RYG](#) [LA6-3DTNUN-RYG](#) [LA6-3DTNWB-RYG](#) [LA6-5DTNUB-RYGBC](#) [LA6-5DTNUN-RYGBC](#)
[LA6-5DTNWB-RYGBC](#) [LFH-24-R](#) [LFH-24-Y](#) [LR4-02LJNU](#) [LR4-02LJNW](#) [LR4-02PJNU](#) [LR4-02QJNW](#) [LR4-02WJNU](#) [LR4-02WJNW](#)
[LR4-202LJBW-RG](#) [LR4-302LJBU-RYG](#) [LR4-302LJBW-RYG](#) [LR4-302LJNU-RYG](#) [LR4-302LJNW-RYG](#) [LR4-302QJBW-RYG](#) [LR4-](#)
[302QJNW-RYG](#) [LR4-302WJBU-RYG](#) [LR4-302WJBW-RYG](#) [LR4-302WJNU-RYG](#) [LR4-302WJNW-RYG](#) [LR4-402LJBW-RYGB](#) [LR4-BU](#)
[LR4-BW](#) [LR4-E-B](#) [LR4-E-C](#) [LR4-E-G](#) [LR4-E-R](#)