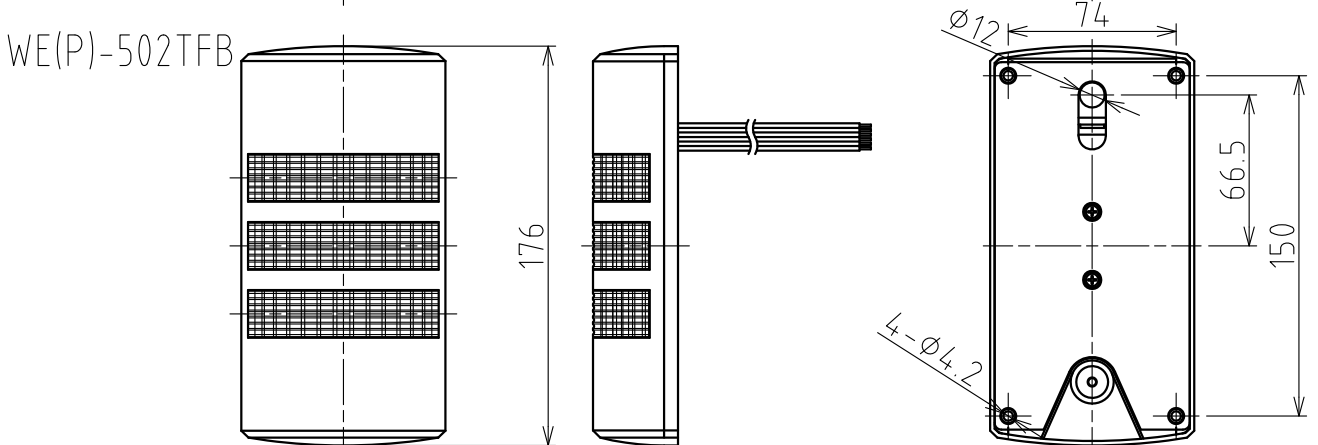
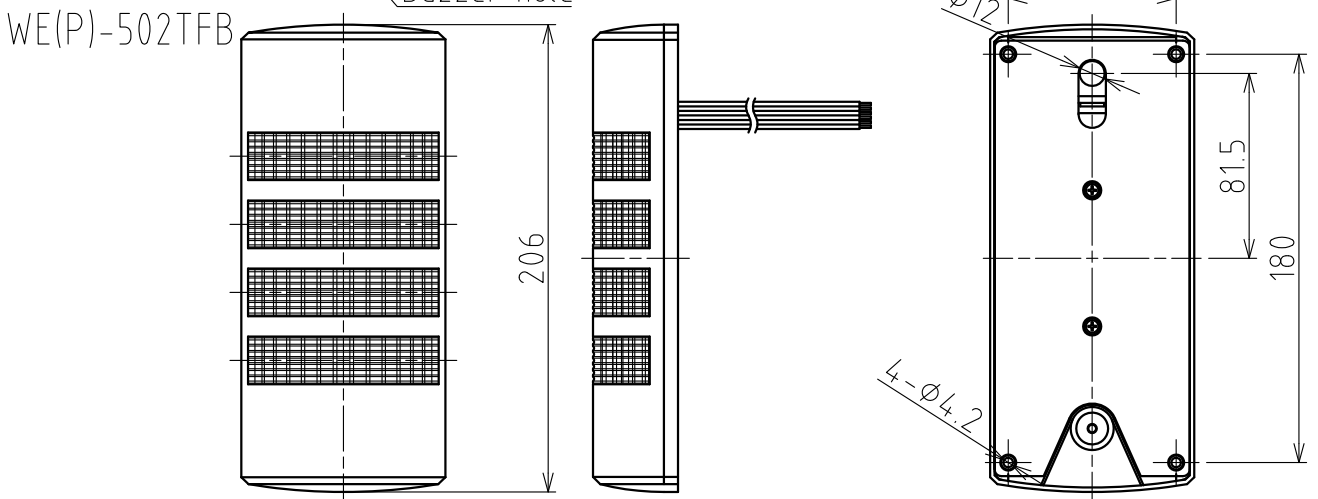
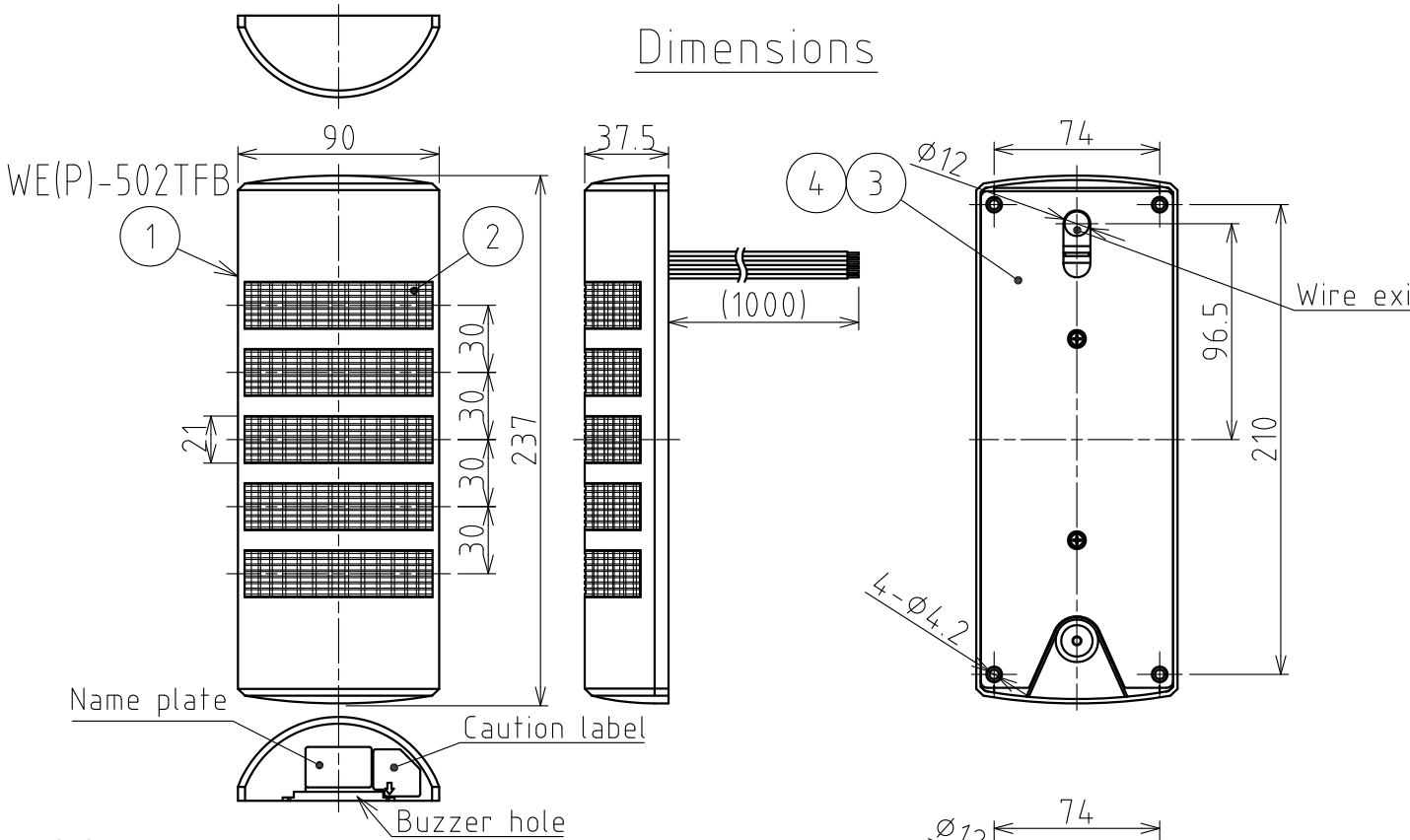


## SPECIFICATIONS

Model	5 lights	WE-502FB			WEP-502FB		
	4 lights	WE-402FB			WEP-402FB		
	3 lights	WE-302FB			WEP-302FB		
Surface of cover		Chromium plating			Not plating (Light gray)		
Rated voltage		24V AC/DC (50/60Hz)					
Operating voltage		Rated voltage $\pm$ 10%					
Current consumption	Typ.	Per light					Buzzer
		Red	Amber	Green	Blue	White	
	Max.	24 mA	17 mA				40 mA
		28 mA	27 mA	23 mA			50 mA (Rush current : 250mA)
Operating temperature range (Relative humidity)		- 30°C ~ + 60°C (Less than 90%)					
Mounting place		Indoor only					
Mounting direction		Upright, Updown, Sideways					
Protection rating		IP54 (Mounting direction : Upright)					
Vibration proof		19.6 m/s <sup>2</sup> (30Hz)					
Insulation resistance		To be measured by an insulation measuring device of 500VDC between the terminals and the chassis. More than 1M $\Omega$					
Withstand voltage		500VAC being applied between the terminals and the chassis for 1 minute. Not braking insulation					
Flashing cycle		60 $\pm$ 12 flashes per minute					
Buzzer	Sound level	90dB (at 1m)					
	Tone	Buzzer1 : pipipi Buzzer2 : beep beep					
Luminous intensity	Red	Amber	Green	Blue	White		
	600 mcd or more	800 mcd or more	2000 mcd or more	600 mcd or more	1800 mcd or more		
Mass	3 lights		4 lights		5 lights		
	0.30 kg		0.33 kg		0.35 kg		
No. WE-502FB-W18A-1_2							
<ul style="list-style-type: none"> <li>● This product confirms to the CE requirements and CE Marking is indicated.</li> <li>● Recognized as UL standard. (Standard No.UL508, File No. E215660)</li> <li>● This product complies with the RoHS Directive(DIRECTIVE 2002/95/EC)</li> </ul>							
<b>PATLITE Corporation</b>							

# Dimensions



## Model No. configuration

WE  - FB -

■ Body finish  
P : No plating  
None : Plating

■ Light style  
3: 3 lights  
4: 4 lights  
5: 5 lights

■ Rated voltage  
02: 24V AC/DC

■ Light method  
Continuous lighting  
or flashing and Buzzer

■ LED unit color  
(R:Red/Y:Amber/G:Green  
/B:Blue/W:White)  
\* Arranged in top-to-bottom

## X-ON Electronics

Largest Supplier of Electrical and Electronic Components

*Click to view similar products for [Patlite](#) manufacturer:*

Other Similar products are found below :

[LA6-3DTNWB-RYG](#) [LR4-302QJBW-RYG](#) [LR6-E-B](#) [LR7-02WTNU](#) [NH-WST](#) [VSST-LR6-502LJBW-RYGBC](#) [NE-ILTB-M](#) [NE-ILXB-M](#)  
[NE-M1ANN-M](#) [NE-M1ATB-M](#) [NE-24A-R](#) [WME-402DFB-RYGB](#) [PFH-BT-R](#) [PFH-BT-Y](#) [WEP-302-RYG](#) [WEP-302FB-RYG](#) [WEP-402FB-RYGB](#) [WEP-502-RYGBC](#) [CLA1S-24A-CD-30](#) [CLA2S-24A-CD-30](#) [CLA3S-24A-CD-30](#) [CLK3C-24AG-CD](#) [CLN-24A-CD-PT](#)  
[CLN-24A-CD-T](#) [CWF3S-24-CD](#) [CWK2S-24-CD](#) [CWK3C-24-CD+FL008](#) [CWK3S-24-CD](#) [CWK6S-24-CD](#) [LA6-3DTNUB-RYG](#) [LA6-3DTNUN-RYG](#) [LA6-5DTNUB-RYGBC](#) [LA6-5DTNUN-RYGBC](#) [LA6-5DTNWB-RYGBC](#) [LFH-24-R](#) [LFH-24-Y](#) [LR4-302QJNW-RYG](#)  
[LR4-402LJBW-RYGB](#) [LR5-02KTNK](#) [LR5-02KTNU](#) [LR5-02WTNW](#) [LR6-202WJBW-RG](#) [LR6-302PJBU-RYG](#) [LR6-302WJBU-RYG](#) [LR6-302WJNU-RYG](#) [LR6-302WJNW-RYG](#) [LR6-3USBK-RYG](#) [LR6-3USBW-RYG](#) [LR6-402WJBW-RYGB](#) [LR6-E-C](#)