

PCE

Connection
to the future



MILITARY SERIES



Connection
to the future

PC ELECTRIC GMBH

PCE is a world leader in the development and production of industrial plugs and sockets with an export share of over 80%!

Since its founding in 1973 the company continued to develop and to become an international group of companies.






PCE offers a wide range of high quality products for various applications in the electrical installation sector. The range is constantly updated and currently includes approximately 22.000 items. In addition to our standard products PCE is able to produce customer-specific configurations on modern injection molding and metal processing plants within a few days.

High level of quality (ISO 9001:2015 Certification), flexibility and constant innovation of products and processes are among the most important factors of our successful customer-oriented strategy.

Speed is top priority! Rapid delivery times and reliability through efficient manufacturing methods and uncomplicated order processing have been appreciated by our customers for years.

Continuous innovation of products and processes paired with the close cooperation with our customers makes PCE a strong, worldwide partner for the professional use of industrial plugs and sockets in electrical installation!

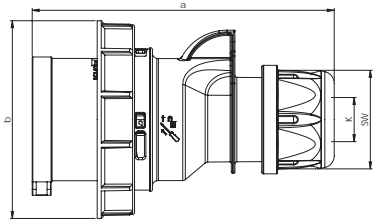
Plugs and sockets „Camouflage“

| | Page | |
|--|-----------|---|
| Plugs / Connectors 16A - 125A | 4 |  |
| Flanged plugs / Wall mounted plugs | 6 |  |
| Flanged sockets straight and sloping | 8 |  |
| Watertight plugs and connectors IP66/68 | 10 |  |
| Cables reels, distribution boxes, lamps | 12 |  |

Version in bronze-green (similar to RAL6031)



CEE Plugs and connectors

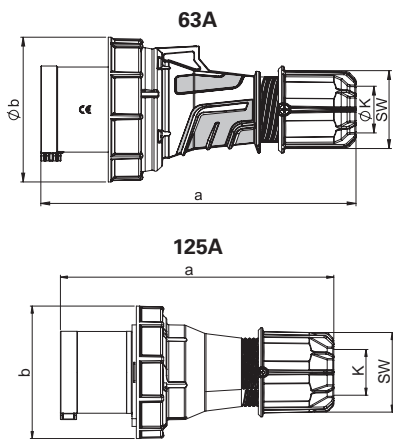


Plug IP67 SHARK

| Poles | 16 Amp | | 32 Amp | |
|---|--------|------|---------|---------|
| | 3 | 5 | 3 | 5 |
| a [mm] | 122 | 134 | 150 | 155 |
| b [mm] | 71 | 87 | 93 | 100 |
| K cable Ø [mm] | 6-15 | 8-16 | 11,5-20 | 11,5-22 |
| Wire flexible [mm ²] | 1-2,5 | | 2,5-6 | |
| Contact screws [Ncm] | 100 | | 110 | |
| SW [mm] | 42 | 42 | 50 | 50 |
| Weight [g] | 130 | 183 | 223 | 276 |

- with screw terminals
- housing material: PA6
- contacts: brass

IP66/67 watertight

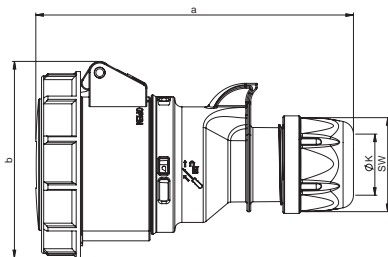


Plug IP66/67 POWERTWIST

| Poles | 63 Amp | | | 125 Amp | | |
|---|---------|---------|---------|---------|---------|---------|
| | 3 | 4 | 5 | 3 | 4 | 5 |
| a [mm] | 250 | 250 | 250 | 270 | 270 | 270 |
| b [mm] | 115 | 115 | 115 | 131 | 131 | 131 |
| K cable Ø [mm] | 14,5-36 | 14,5-36 | 14,5-36 | 22,5-50 | 22,5-50 | 22,5-50 |
| Wire flexible [mm ²] | 6-16 | | | 16-50 | | |
| Contact screws [Ncm] | 200 | | | 450 | | |
| SW [mm] | 61 | 61 | 61 | 81 | 81 | 81 |
| Weight [g] | 574 | 621 | 670 | 956 | 1064 | 1169 |

- contact frame with screws; 125A with hexagon socket screws
- housing material: PA6
- contacts: nickel-plated contacts with pilot contact

IP66/67 watertight

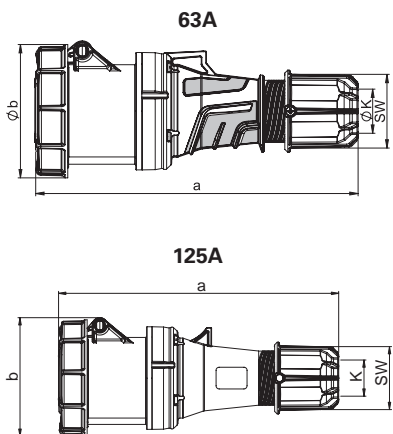


Connector IP66/67 SHARK

| Poles | 16 Amp | | 32 Amp | |
|---|--------|------|---------|---------|
| | 3 | 5 | 3 | 5 |
| a [mm] | 132 | 147 | 163 | 171 |
| b [mm] | 78 | 92 | 96 | 102 |
| K cable Ø [mm] | 6-15 | 8-16 | 11,5-20 | 11,5-22 |
| Wire flexible [mm ²] | 1-2,5 | | 2,5-6 | |
| Contact screws [Ncm] | 100 | | 110 | |
| SW [mm] | 42 | 42 | 50 | 50 |
| Weight [g] | 155 | 227 | 275 | 338 |

- with screw terminals
- housing material: PA6
- contacts: brass

IP66/67 watertight



Connector IP66/67 POWERTWIST

| Poles | 63 Amp | | | 125 Amp | | |
|---|---------|---------|---------|---------|---------|---------|
| | 3 | 4 | 5 | 3 | 4 | 5 |
| a [mm] | 269 | 269 | 269 | 287 | 287 | 287 |
| b [mm] | 114 | 114 | 114 | 124 | 124 | 124 |
| K cable Ø [mm] | 14,5-36 | 14,5-36 | 14,5-36 | 22,5-50 | 22,5-50 | 22,5-50 |
| Wire flexible [mm ²] | 6-16 | | | 16-50 | | |
| Contact screws [Ncm] | 200 | | | 450 | | |
| SW [mm] | 61 | 61 | 61 | 81 | 81 | 81 |
| Weight [g] | 673 | 714 | 772 | 1060 | 1167 | 1266 |

- contact frame with screws; 125A with hexagon socket screws
- housing material: PA6
- contacts: brass with lamellar contact CuBe
- to order with pilot contact add **a „5“** e.g. 2435-6.u
- to order with pilot contact system (PCS) please add a „6“ e.g. 2436-6.u

IP66/67 watertight

| Amp. | Poles | pack. unit | 230V~ | 400V~ |
|------|-------|------------|------------------------------|------------------------------|
| | | | 50/60Hz 3p=6h 4p+5p=9h | 50/60Hz 3p=9h 4p+5p=6h |
| | | | Cat.No. | Cat.No. |
| 16 | 3 | 10 | 0132-6.u | |
| 16 | 5 | 10 | | 0152-6.u |
| 32 | 3 | 10 | 0232-6.u | |
| 32 | 5 | 10 | | 0252-6.u |



0152-6.u

| | | | | |
|-----|---|---|---------|---------|
| 63 | 3 | 2 | 033-6.u | |
| 63 | 4 | 2 | | 034-6.u |
| 63 | 5 | 2 | | 035-6.u |
| 125 | 3 | 2 | 043-6.u | |
| 125 | 4 | 2 | | 044-6.u |
| 125 | 5 | 2 | | 045-6.u |



035-6.u

| | | | | |
|----|---|----|----------|----------|
| 16 | 3 | 10 | 2132-6.u | |
| 16 | 5 | 10 | | 2152-6.u |
| 32 | 3 | 10 | 2232-6.u | |
| 32 | 5 | 10 | | 2252-6.u |



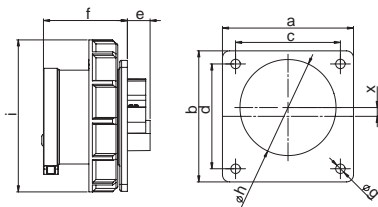
2152-6.u

| | | | | |
|-----|---|---|---------|---------|
| 63 | 3 | 2 | 233-6.u | |
| 63 | 4 | 2 | | 234-6.u |
| 63 | 5 | 2 | | 235-6.u |
| 125 | 3 | 2 | 243-6.u | |
| 125 | 4 | 2 | | 244-6.u |
| 125 | 5 | 2 | | 245-6.u |



235-6.u

CEE Flanged plugs / wall mounted plugs



Flanged plug straight IP67

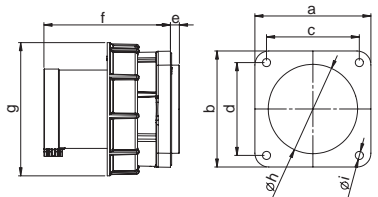
| | 16 Amp | | 32 Amp | |
|---------------------------------------|--------|-----|--------|-----|
| | 3 | 5 | 3 | 5 |
| Poles | 3 | 5 | 3 | 5 |
| Flange a x b [mm] | 75 | 75 | 75 | 75 |
| Fixing center c x d [mm] | 60 | 60 | 60 | 60 |
| e [mm] | 15 | 13 | 14 | 14 |
| f [mm] | 48 | 48 | 58 | 58 |
| g [mm] | 5,5 | 5,5 | 5,5 | 5,5 |
| h [mm] | 43 | 55 | 55 | 55 |
| i [mm] | 71 | 87 | 93 | 100 |
| x [mm] | 11,3 | 5 | 4,5 | 0 |
| Wire flexible [mm²] | 1-2,5 | | 2,5-6 | |
| Wire solid [mm²] | 1-4 | | 2,5-10 | |
| Contact screws [Ncm] | 100 | | 110 | |
| Weight [g] | 109 | 150 | 167 | 214 |

- with screw terminals
- housing material: PA6
- contacts: brass

According to EN 60309:
For correct use a locking device has to be provided

- for 16A 3p till 32A 4p the plug is placed off centered for keeping the standards

IP67 watertight



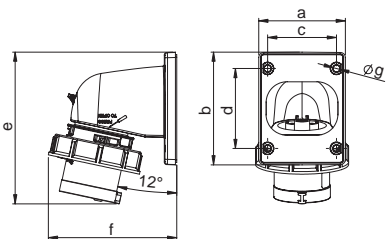
Flanged plug straight IP66/67

POWER TWIST

| | 63 Amp | | | 125 Amp | | |
|---------------------------------------|--------|-----|-----|---------|-----|-----|
| | 3 | 4 | 5 | 3 | 4 | 5 |
| Poles | 3 | 4 | 5 | 3 | 4 | 5 |
| Flange a x b [mm] | 100 | 100 | 100 | 120 | 120 | 120 |
| Fixing center c x d [mm] | 80 | 80 | 80 | 100 | 100 | 100 |
| e [mm] | 8 | 8 | 8 | 13 | 13 | 13 |
| f [mm] | 109 | 109 | 109 | 118 | 118 | 118 |
| g [mm] | 115 | 115 | 115 | 131 | 131 | 131 |
| h [mm] | 77 | 77 | 77 | 95 | 95 | 95 |
| i [mm] | 7 | 7 | 7 | 7 | 7 | 7 |
| Wire flexible [mm²] | 6-16 | | | 16-50 | | |
| Wire solid [mm²] | 6-15 | | | 16-70 | | |
| Contact screws [Ncm] | 200 | | | 450 | | |
| Weight [g] | 479 | 531 | 570 | 786 | 891 | 998 |

- contact frame with screws; 125A with hexagon socket screws
- housing material: PA6
- contacts: nickel-plated contacts, with pilot contact
- for waterproof cover see accessories

IP66/67 watertight

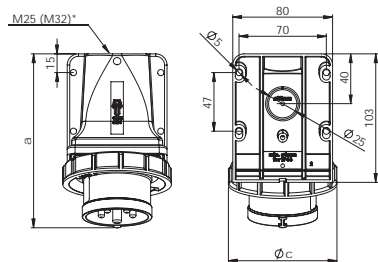


Flanged plug angled IP67

| | 16 Amp | | 32 Amp | |
|---------------------------------------|--------|-----|--------|-----|
| | 3 | 5 | 3 | 5 |
| Poles | 3 | 5 | 3 | 5 |
| a [mm] | 66 | 90 | 90 | 90 |
| b [mm] | 86 | 100 | 100 | 100 |
| c [mm] | 53 | 77 | 77 | 77 |
| d [mm] | 61 | 85 | 85 | 85 |
| e [mm] | 116 | 153 | 163 | 164 |
| f [mm] | 99 | 107 | 110 | 114 |
| g [mm] | 5 | 5 | 5 | 5 |
| Wire flexible [mm²] | 1-2,5 | | 2,5-6 | |
| Wire solid [mm²] | 1-4 | | 2,5-10 | |
| Contact screws [Ncm] | 100 | | 110 | |
| Weight [g] | 146 | 219 | 240 | 291 |

- with screw terminals
- housing material: PC/ABS
- contacts: brass

IP67 watertight



Wall mounted plug IP67

| | 16 Amp | | 32 Amp | |
|---------------------------------------|--------|-----|--------|-----|
| | 3 | 5 | 3 | 5 |
| Poles | 3 | 5 | 3 | 5 |
| a [mm] | 136 | 140 | 150 | 152 |
| Height [mm] | 99 | 100 | 104 | 102 |
| c [mm] | 71 | 87 | 93 | 102 |
| M* [mm] | 25 | 25 | 25 | 25 |
| Wire flexible [mm²] | 1-2,5 | | 2,5-6 | |
| Wire solid [mm²] | 1-4 | | 2,5-10 | |
| Contact screws [Ncm] | 100 | | 110 | |
| Weight [g] | 200 | 242 | 260 | 306 |

- with screw terminals
- housing material: PA6
- contacts: brass
- top or rear entry
- incl. threaded bung

IP67 watertight

*M32 optional on request available

| | | | 230V~ | 400V~ |
|------|-------|------------|------------------------------|------------------------------|
| | | | 50/60Hz 3p=6h 4p+5p=9h | 50/60Hz 3p=9h 4p+5p=6h |
| Amp. | Poles | pack. unit | Cat.No. | Cat.No. |

| flange 75 x 75 - fixing center 60 x 60 | | | | |
|--|---|----|----------|----------|
| 16 | 3 | 10 | 6132-6.u | |
| 16 | 5 | 10 | | 6152-6.u |
| 32 | 3 | 10 | 6232-6.u | |
| 32 | 5 | 10 | | 6252-6.u |



6252-6.u

| flange 100 x 100 - fixing center 80 x 80 | | | | |
|--|---|---|---------|---------|
| 63 | 3 | 2 | 633-6.u | |
| 63 | 4 | 2 | | 634-6.u |
| 63 | 5 | 2 | | 635-6.u |
| flange 120 x 120 - fixing center 100 x 100 | | | | |
| 125 | 3 | 2 | 643-6.u | |
| 125 | 4 | 2 | | 644-6.u |
| 125 | 5 | 2 | | 645-6.u |



645-6.u

| | | | | |
|----|---|----|------------|------------|
| 16 | 3 | 10 | 777132-6.u | |
| 16 | 5 | 10 | | 777152-6.u |
| 32 | 3 | 10 | 777232-6.u | |
| 32 | 5 | 10 | | 777252-6.u |



777152-6.u

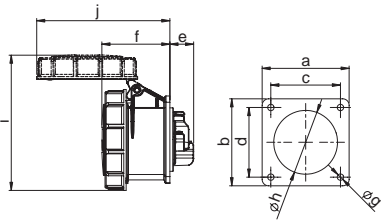
| | | | | |
|----|---|----|-----------|-----------|
| 16 | 3 | 10 | 5132-6k.u | |
| 16 | 5 | 10 | | 5152-6k.u |
| 32 | 3 | 10 | 5232-6k.u | |
| 32 | 5 | 10 | | 5252-6k.u |



5152-6k.u

CEE Flanged sockets straight and sloping

Flanged socket straight IP67

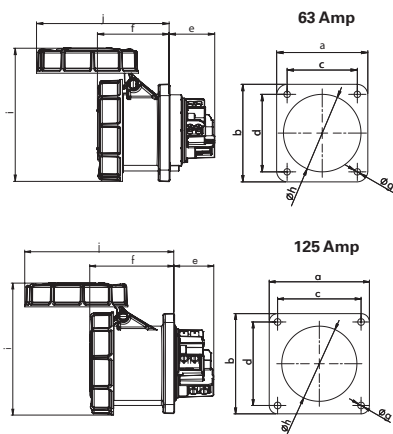


| Poles | 16 Amp | | | 32 Amp | |
|----------------------------------|--------|-----|-----|--------|-----|
| | 3 | 5 | 3 | 5 | 5 |
| Flange a x b [mm] | 75 | 75 | 75 | 75 | 75 |
| Fixing center c x d [mm] | 60 | 60 | 60 | 60 | 60 |
| e [mm] | 21 | 21 | 23 | 23 | 23 |
| f [mm] | 56 | 59 | 69 | 71 | 71 |
| g [mm] | 5,5 | 5,5 | 5,5 | 5,5 | 5,5 |
| h [mm] | 43 | 55 | 55 | 58 | 58 |
| i [mm] | 102 | 117 | 122 | 130 | 130 |
| j [mm] | 101 | 115 | 130 | 136 | 136 |
| Wire flexible [mm ²] | 1-2,5 | | | 2,5-6 | |
| Wire solid [mm ²] | 1-4 | | | 2,5-10 | |
| Contact screws [Ncm] | 100 | | | 110 | |
| Weight [g] | 135 | 183 | 206 | 260 | 260 |

- with screw terminals
- housing material: PA6
- contacts: brass
 - to order nickel-plated contacts please add a „v“ e.g. 3152-6.uv

IP67 watertight

Flanged socket straight IP66/67 **POWER TWIST**

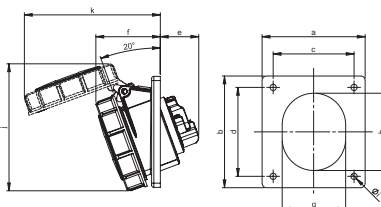


| Poles | 63 Amp | | | 125 Amp | | |
|----------------------------------|--------|-----|-----|---------|-----|-----|
| | 3 | 4 | 5 | 3 | 4 | 5 |
| Flange a x b [mm] | 100 | 100 | 100 | 120 | 120 | 120 |
| Fixing center c x d [mm] | 80 | 80 | 80 | 100 | 100 | 100 |
| e [mm] | 50 | 50 | 50 | 48 | 48 | 48 |
| f [mm] | 80 | 80 | 80 | 101 | 101 | 101 |
| g [mm] | 7 | 7 | 7 | 8 | 8 | 8 |
| h [mm] | 85 | 85 | 85 | 90 | 90 | 90 |
| i [mm] | 147 | 147 | 147 | 159 | 159 | 159 |
| j [mm] | 146 | 146 | 146 | 179 | 179 | 179 |
| Wire flexible [mm ²] | 6-16 | | | 16-50 | | |
| Wire solid [mm ²] | 6-25 | | | 16-70 | | |
| Contact screws [Ncm] | 200 | | | 450 | | |
| Weight [g] | 488 | 533 | 587 | 752 | 890 | 986 |

- contact frame with screws
- housing material: PA6
- contacts: brass with lamellar contact CuBe
 - to order with pilot contact please add a „5“, e.g. 3355-6.u
 - to order with pilot contact system (PCS) please add a „6“ e.g. 3356-6.u

IP66/67 watertight

Flanged socket sloping IP67

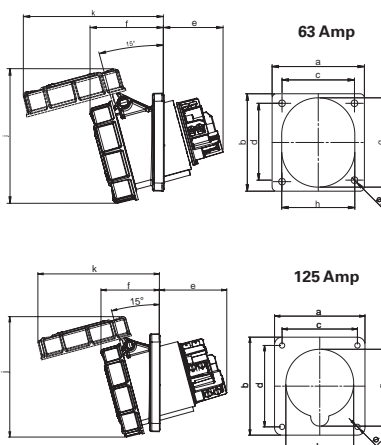


| Poles | 16 Amp | | | 32 Amp | |
|----------------------------------|--------|-----|-----|--------|-----|
| | 3 | 5 | 3 | 5 | 5 |
| Flange a [mm] | 92 | 92 | 92 | 92 | 92 |
| Flange b [mm] | 100 | 100 | 100 | 100 | 100 |
| Fixing center c [mm] | 77 | 77 | 77 | 77 | 77 |
| Fixing center d [mm] | 85 | 85 | 85 | 85 | 85 |
| e [mm] | 33 | 38 | 48 | 48 | 48 |
| f [mm] | 53 | 58 | 62 | 62 | 62 |
| g [mm] | 51 | 65 | 65 | 70 | 70 |
| h [mm] | 61 | 76 | 75 | 80 | 80 |
| i [mm] | 5,5 | 5,5 | 5,5 | 5,5 | 5,5 |
| j [mm] | 101 | 114 | 120 | 128 | 128 |
| k [mm] | 107 | 122 | 130 | 131 | 131 |
| Wire flexible [mm ²] | 1-2,5 | | | 2,5-6 | |
| Wire solid [mm ²] | 1-4 | | | 2,5-10 | |
| Contact screws [Ncm] | 100 | | | 110 | |
| Weight [g] | 160 | 199 | 221 | 280 | 280 |

- with screw terminals
- housing material: PA6
- contacts: brass
 - to order nickel-plated contacts please add a „v“ e.g. 4152-6.uv

IP67 watertight

Flanged socket sloping IP67 **POWER TWIST**



| Poles | 63 Amp | | | 125 Amp | | |
|----------------------------------|--------|-----|-----|---------|-----|-----|
| | 3 | 4 | 5 | 3 | 4 | 5 |
| Flange a [mm] | 100 | 100 | 100 | 120 | 114 | 114 |
| Flange b [mm] | 112 | 112 | 112 | 130 | 114 | 114 |
| Fixing center c [mm] | 80 | 80 | 80 | 100 | 90 | 90 |
| Fixing center d [mm] | 88 | 88 | 88 | 108 | 90 | 90 |
| e [mm] | 64 | 64 | 64 | 92 | 92 | 92 |
| f [mm] | 80 | 80 | 80 | 77 | 77 | 77 |
| g [mm] | 92 | 92 | 92 | 102 | 102 | 102 |
| h [mm] | 82 | 82 | 82 | 90 | 90 | 90 |
| i [mm] | 7 | 7 | 7 | 7 | 7 | 7 |
| j [mm] | 148 | 148 | 148 | 160 | 160 | 160 |
| k [mm] | 154 | 154 | 154 | 162 | 162 | 162 |
| Wire flexible [mm ²] | 6-16 | | | 16-50 | | |
| Wire solid [mm ²] | 6-25 | | | 16-70 | | |
| Contact screws [Ncm] | 200 | | | 450 | | |
| Weight [g] | 495 | 540 | 595 | 804 | 896 | 995 |

- contact frame with screws; 125A with hexagon socket screws
- housing material: PA6
- contacts: brass with lamellar contact CuBe
 - to order with pilot contact please add a „5“ e.g. 4455-6.u
 - to order with pilot contact system (PCS) please add a „6“ e.g. 4456-6.u

IP66/67 watertight

| 230V~ | 400V~ |
|------------------------------|------------------------------|
| 50/60Hz 3p=6h 4p+5p=9h | 50/60Hz 3p=9h 4p+5p=6h |
| Cat.No. | Cat.No. |

| Amp. | Poles | pack. unit | | |
|---|-------|------------|----------|----------|
| flange 75 x 75 - fixing center 60 x 60 | | | | |
| 16 | 3 | 10 | 3132-6.u | |
| 16 | 5 | 10 | | 3152-6.u |
| 32 | 3 | 10 | 3232-6.u | |
| 32 | 5 | 10 | | 3252-6.u |



3152-6.u

| | | | | |
|---|---|---|---------|---------|
| flange 100 x 100 - fixing center 80 x 80 | | | | |
| 63 | 3 | 2 | 333-6.u | |
| 63 | 4 | 2 | | 334-6.u |
| 63 | 5 | 2 | | 335-6.u |
| flange 120 x 120 - fixing center 100 x 100 | | | | |
| 125 | 3 | 2 | 343-6.u | |
| 125 | 4 | 2 | | 344-6.u |
| 125 | 5 | 2 | | 345-6.u |



335-6.u

| | | | | |
|--|---|----|----------|----------|
| flange 92 x 100 - fixing center 77 x 85 | | | | |
| 16 | 3 | 10 | 4132-6.u | |
| 16 | 5 | 10 | | 4152-6.u |
| 32 | 3 | 10 | 4232-6.u | |
| 32 | 5 | 10 | | 4252-6.u |



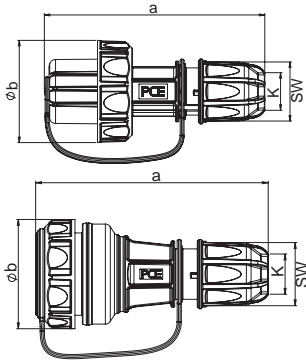
4152-6.u

| | | | | |
|---|---|---|---------|---------|
| flange 100 x 112 - fixing center 80 x 88 | | | | |
| 63 | 3 | 2 | 433-6.u | |
| 63 | 4 | 2 | | 434-6.u |
| 63 | 5 | 2 | | 435-6.u |
| flange 120 x 130 - fixing center 100 x 108 | | | | |
| 125 | 3 | 2 | 443-6.u | |
| 125 | 4 | 2 | | 444-6.u |
| 125 | 5 | 2 | | 445-6.u |



445-6.u

Watertight plugs and connectors IP66/68



Plug with protection cap IP66/68

| | Plug 16 Amp | Connector 16 Amp |
|---|--------------------------|------------------|
| Poles | 2P + E | 2P + E |
| a [mm] | 144 | 140 |
| b ϕ [mm] | 65 | 65 |
| K (cable ϕ) [mm] | 6- 19 | 6- 19 |
| SW [mm] | 38 | 38 |
| Wire flexible [mm ²] | 1- 2,5 | 1- 2,5 |
| Contact screws [Ncm] | 80 | 80 |
| Weight [g] | 120 | 140 |
| | protection cap with band | cap with band |

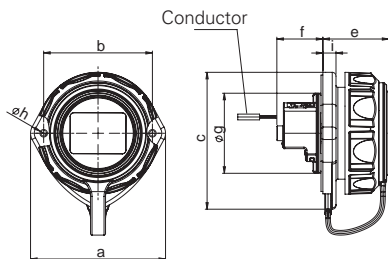
- with screw terminals
- housing material: PC/ABS
- contacts: nickel-plated
- VG96926 (Weapon norm approval) on request

IP66/68 watertight
up to 2 bar / 2h



Connector with cap IP66/68

Flanged socket oval with cover band



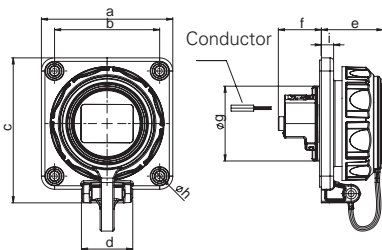
| | 16 Amp |
|---|----------|
| Poles | 2P + E |
| a [mm] | 72 |
| b [mm] | 58 |
| c [mm] | 75 |
| e [mm] | 36 |
| f [mm] | 25 |
| g [mm] | 43 |
| h [mm] | 4 |
| i [mm] | 7 |
| Wire flexible [mm ²] | 1- 2x2,5 |
| Wire solid [mm ²] | 1- 2x2,5 |
| Contact screws [Ncm] | 80 |
| Weight [g] | 87 |

- with screw terminals
- housing material: PC/ABS
- contacts: nickel-plated contacts
- rear connection
- 2-point fastening
- VG96926 (Weapon norm approval) on request

IP66/68 watertight
up to 2 bar / 2h



Flanged socket 75x75 mm with cover band



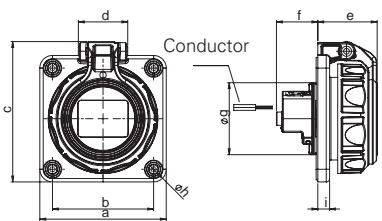
| | 16 Amp |
|---|----------|
| Poles | 2P + E |
| a [mm] | 75 |
| b [mm] | 60 |
| c [mm] | 84 |
| d [mm] | 30 |
| e [mm] | 36 |
| f [mm] | 25 |
| g [mm] | 43 |
| h [mm] | 5,5 |
| i [mm] | 7 |
| Wire flexible [mm ²] | 1- 2x2,5 |
| Wire solid [mm ²] | 1- 2x2,5 |
| Contact screws [Ncm] | 80 |
| Weight [g] | 101 |

- with screw terminals
- housing material: PC/ABS
- contacts: nickel-plated contacts
- rear connection
- 4-point fastening
- VG96926 (Weapon norm approval) on request

IP66/68 watertight
up to 2 bar / 2h



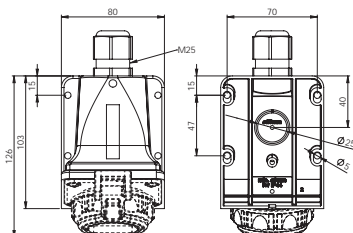
Flanged socket 75x75mm with hinged lid



| | 16 Amp |
|---|----------|
| Poles | 2P + E |
| a [mm] | 75 |
| b [mm] | 60 |
| c [mm] | 84 |
| d [mm] | 30 |
| e [mm] | 36 |
| f [mm] | 25 |
| g [mm] | 43 |
| h [mm] | 5,5 |
| i [mm] | 7 |
| Wire flexible [mm ²] | 1- 2x2,5 |
| Wire solid [mm ²] | 1- 2x2,5 |
| Contact screws [Ncm] | 80 |
| Weight [g] | 105 |

- with screw terminals
- housing material: PC/ABS
- contacts: nickel-plated contacts
- rear connection
- 4-point fastening

IP66/68 watertight
up to 2 bar / 2h



Wall housing for flanged socket 75x75mm IP66/68



20168.u + 20352-8u

- for flange size 75x75mm
- material: PA6
- 4-point fixation
- incl. mounting screws
- incl. cable gland M25

| 230V~ | 400V~ |
|------------------------------|------------------------------|
| 50/60Hz 3p=6h 4p+5p=9h | 50/60Hz 3p=9h 4p+5p=6h |
| Cat.No. | Cat.No. |

Amp.
Poles
pack.
unit

| | | | | |
|-------------------------------|---|----|--|----------|
| 16 | 3 | 10 | Plug (2-earthing systems) | 20051-u |
| Austrian/German System | | | | |
| 16 | 3 | 10 | Connector without child protection (shutter) | 20251-u |
| 16 | 3 | 10 | Connector with child protection (shutter) | 20251-uc |
| French/Belgian System | | | | |
| 16 | 3 | 10 | Connector without child protection (shutter) | 20241-u |
| 16 | 3 | 10 | Connector with child protection (shutter) | 20241-uc |



20051-u



20251-u

| | | | | |
|-------------------------------|---|----|---|-----------|
| Austrian/German System | | | | |
| 16 | 3 | 10 | rear connection without child protection | 20351-9u |
| 16 | 3 | 10 | rear connection with child protection (shutter) | 20351-9uc |
| French/Belgian System | | | | |
| 16 | 3 | 10 | rear connection without child protection | 20341-9u |
| 16 | 3 | 10 | rear connection with child protection (shutter) | 20341-9uc |



20351-9u

| | | | | |
|-------------------------------|---|----|---|-----------|
| Austrian/German System | | | | |
| 16 | 3 | 10 | rear connection without child protection | 20351-8u |
| 16 | 3 | 10 | rear connection with child protection (shutter) | 20351-8uc |
| French/Belgian System | | | | |
| 16 | 3 | 10 | rear connection without child protection | 20341-8u |
| 16 | 3 | 10 | rear connection with child protection (shutter) | 20341-8uc |



20341-8u

| | | | | |
|-------------------------------|---|----|---|-----------|
| Austrian/German System | | | | |
| 16 | 3 | 10 | rear connection without child protection | 20352-8u |
| 16 | 3 | 10 | rear connection with child protection (shutter) | 20352-8uc |
| French/Belgian System | | | | |
| 16 | 3 | 10 | rear connection without child protection | 20342-8u |
| 16 | 3 | 10 | rear connection with child protection (shutter) | 20342-8uc |



20352-8u

| | | | | |
|--|--|----|--|---------|
| | | 10 | Wall housing (empty) incl. 4x screws and cable gland M25 | 20168.u |
| | | 10 | Surface housing (empty) inkl. 4x screws and cable gland M20 | 80168.u |



20168.u



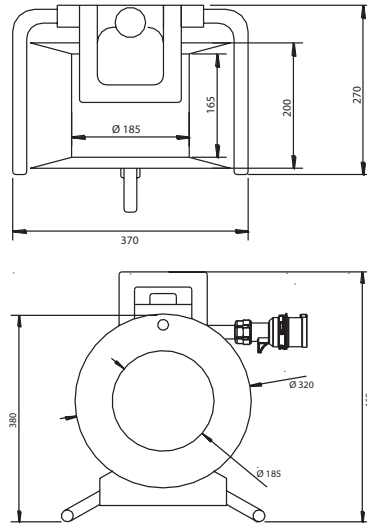
80168.u

Cables reels, distribution boxes

Cable reel series G3000



Dimensions:



Equipment:

Entry: 1 CEE plug 16/3 230V IP67

Cable: 50M H07RN-F 3x2,5

Outlet: 3 CEE-sockets 16A 3p 230V

Material: plastic

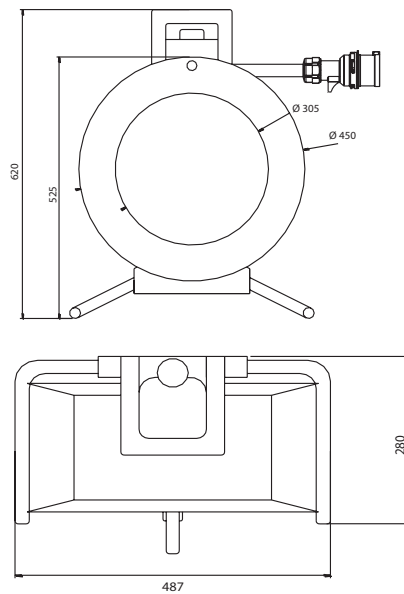
Housing protection IP67

9332G10255A

Cable reel G4000



Dimensions:



Equipment:

Entry: 1 CEE plug 32/5 400V IP67

Cable: 50M H07RN-F 5x6

Outlet: 1 CEE socket 32A 400V

Material: plastic

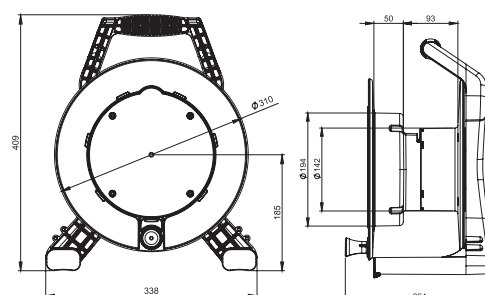
Housing protection IP67

9732S06675A

Cable reel series X-REEL



Dimensions:



Entry: 1 CEE plug 16/3 230V IP68

Cable: 30M H05RR-F 3x2,5

Outlet: 4 safety sockets 16A 250V

Material: plastic

Housing protection IP54

93501S56263EA

Equipment examples (other versions on request)

Distribution boxes series ZIRL

Dimensions: HxWxD = 527x445x390mm

- Plugs and sockets are green
- Housing protection **IP67**

Entry: 1 CEE plug 32/3 400V

Outlet:
8 safety sockets 16A 3P 230V

Protection:
1 RCD 40/2/0,1
1 RCD 40/2/0,03
8 MCB 16A 1p-C

Material: rubber, metal frame

95450713WAE



Distribution boxes series ZIRL

Dimensions: HxWxD = 527x400x270mm

- Plugs and sockets are green
- Housing protection **IP67**

Entry: 1 CEE plug 16/5 400V

Outlet:
Digital multimeter
1 CEE socket 16A 5p 400V
3 CEE sockets 16A 3P 230V
6 safety sockets 16A 3P 230V

Protection:
1 RCD 40/4/0,03
1 MCB 16A 3p-C
1 MRB 16/3N/C/003
9 CKN6 16/1N/C/003

Material: rubber

95450704WAE



Distribution boxes series ZIRL

Dimensions: HxWxD = 650x850x270mm

- Plugs and sockets are green
- Housing protection **IP67**

Entry: 1 CEE plug 32/5 400V

Outlet:
Digital multimeter
1 CEE-socket 32A 5p 400V
2 CEE-sockets 16A 5p 400V
3 CEE-sockets 32A 3p 230V
3 CEE-sockets 16A 3p 230V
6 safety sockets 16A 230V

Protection:
2 RCDs 40/4/01
3 RCDs 40/2/01
2 MRB 16/3N/C/003
9 CKN 16/1N/C/003
2 MCB 32A 3p-C
3 MCB 32A 1p-C

Material: rubber

95450705WAE



Mobile distribution boxes series SPITZ

Dimensions: HxWxD = 320x320x320mm

- Plugs and sockets are green
- Housing protection **IP67**

Entry: 1 CEE plug 32/5 + 4M cable

Outlet: 32/5*C 8*16*4C IP67

9474995WA

Entry: 1 CEE plug 32/5 + 2M cable

Outlet: 3*32/5*3C FI40

94743305WA

Entry: 1 CEE plug 16/5 + 2M cable

Outlet: 16/5*C 4*16/3*4C FI40

9474811WA

Entry: 1 CEE plug 32/5 + 4M cable

Outlet: 32/5 8*16*C25/3

9474998WA

Material: rubber



Mobile distribution boxes series STEYREGG

Dimensions: HxWxD = 72x430x115 mm

- Plugs and sockets are green
- Housing protection **IP67**

Entry: 1 CEE plug 16/3 + 2M cable

Outlet: 3 safety sockets 16A 230V

94401101WAE

Protection:

1 x MCB 6A 1p-C
1 x MCB 2A 1p-C
1 x RCD 10A/2/003

Material: rubber



Distribution boxes, lamps

Distribution boxes Series ARGENTA



Dimensions: HxWxD = 1160x745x530mm

- Plugs and sockets are green
- Housing protection **IP66**

Entry:

1 CEE-plug 125A 5p 400V + 0,5m H07RN-F 5x50

Outlet:

9 CEE-sockets 32A 5p 400V
2 safety sockets 16A 3p 230V

Protection:

1 main switch 125A 3p
4 RCDs 63/4/0,03
1 RCD 40/2//0,03
1 RCD 25/2/0,03
9 MCB 32A 3p-C
2 MCB 16A 3p-C

90009707WAE

Material: metal

Compact distribution boxes Series St. Anton



- Plugs and sockets are black

IP44 splashproof

Entry:

1 CEE-plug 16A 5p 400V

9430052

Outlet:

3 CEE-sockets 16A 5p 400V

1 CEE-socket 16A 5p 400V
2 safety sockets 16A 250V

9430053

3 CEE-sockets 16A 3p 230V

9430054

Material: rubber

Wall distribution boxes series Bruck



Dimensions: HxWxD = 370x370x203mm

- for wall-fastening
- solid rubber enclosure, with protective roof
- window up to max. 18 modules
- bottom of box and cover connected with joint
- ready wired for connection

IP54 dust- and splashproof

Equipment:

1 CEE-socket 32A 5p 400V black
2 CEE-sockets 16A 5p 400V black
4 safety sockets 16A 250V black

1xM32 on top, 1xM32 from bottom

Protection:

1 MCB 32A 3p-C
2 MCBs 16A 3p-C
4 MCBs 16A 1p-B
1 RCD 63/4/0,03A over all outlets

92401543

Material: rubber

Mobile distribution boxes series Spitz



Dimensions: HxWxD = 320x320x320mm

- portable, handy solid-rubber mobile box-stackable
- lifting hinged cover with 2 quick acting closures
- maximum safety – closed casing bottom with high ground clearance
- ready wired for connection

IP54 dust- and splashproof

Equipment:

2 CEE-sockets 32A 5p 400V black
2 CEE-sockets 16A 5p 400V black
4 safety sockets 16A 250V black

2m cable H07RN-F 5G6 with CEE-plug 32A 5p 400V black

Protection:

2 MCBs 16A 3p-C
4 MCBs 16A 1p-B
1 RCD 63/4/0,03A over all outlets

94741367

Material: rubber

Mobile distribution boxes series Steyregg



Dimensions: HxWxD = 79x430x129mm

- portable, handy solid-rubber mobile box
- housing with carrying handle
- ready wired for connection

IP54 dust- and splashproof

Equipment:

2 CEE-sockets 16A 5p 400V black
2 safety sockets 16A 250V black

2m cable H07RN-F 5G4 with CEE-plug 32A 5p 400V black

Protection:

1 MCB 16A 3p-C
2 MCBs 16A 1p-C

9441480

Material: rubber

Equipment examples (other versions on request)

Series M-SVE3 63/11-12/V2/2M/A/MS

Dimensions: HxWxD = 340x400x350mm

- shock-resistant, robust and mobile insulated thermoplastic box
- very lightweight and handy
- stackable
- resistant to weather and ageing

IP44 splashproof

Equipment:

- 1 CEE-socket 16A 5p 400V black
- 1 CEE-socket 32A 5p 400V black
- 12 sockets (DIN 49440) 16A 250V black

Connection cable 44 kVA

2m cable 5G10 with
CEE-plug 63A 5p 400V

Protection:

- 1 MCB 16A 3p-C
- 1 MCB 32A 3p-C
- 12 MCBs 16A 1p-C
- 2 RCDs 63/0,03A

Material: rubber



853009286

Series M-SVE4 63/1-16/V17/G/E/A/MS

Dimensions: HxWxD = 340x560x350mm

- shock-resistant, robust and mobile insulated thermoplastic box
- very lightweight and handy
- stackable
- resistant to weather and ageing

IP44 splashproof

Equipment:

- 1 CEE-socket 16A 5p 400V black
- 16 sockets (DIN 49440) 16A 250V black

Connection cable 44 kVA

CEE-plug 63A 5p 400V black
with cable loop in the entry

Protection:

- 1 MCB 16A 3p-C
- 16 RCBOs 16A 1p-C/0,03A
- 1 RCD 40/0,03A

Material: rubber



854009285

LED Hand Lamp

Technical specification:

LED-Lux 6Watt 220-240 Volt AC 50-60 Hz
Length: 475 mm
Driver (Electronic ballast), Pv=1,9W
Through-contacted with electronic fuse
Replaceable LED unit (5 years warranty) with 20 long-living high efficiency SMD-LEDs and high gloss reflector
Luminous flux: 618 Lumen = 1022 Lux on 0,5 m
= luminous efficiency: 78 lm/w
angle of reflected beam: 104°, colour temperature 4200 K
5 m cable H07RB-F 2x1mm² (flex.) with Schuko plug (IP68)
Protection class II, energy class A+, **IP 64**, IK 08
CB Prüfung
RoHS, WEEE, CE



430180620WAE

MINI LED Lamp

Technical specification:

Opus Mini LED 30 Watt 220-240 Volt AC
LED Unit with 90 long-life High Power SMD-LEDs (120° angle of reflected beam)
Colour temperature: 4000 K and high gloss reflector
Luminous flux: 3803 Lumen (127 lm/W) = 5942 Lux by 0,5 m
Electronic LED-Driver 0/50-60 Hz
Housing out of 2 plastic components (2K) grey/black
Cable 5000 mm H07RN-F 3G1,5mm² with Schutzkontaktstecker IP67
Switch on/off
Socket IP67
Protection class I,
Energy efficiency class A+, **IP 65**, D, IK 08
CE.



4303020WAE

Equipment examples (other version on request)

PCE

Connection
to the future

PCE Polska Sp. z o. o.

ul. Podwalna 8A

58-200 Dzierżoniów

POLSKA

TEL +48 74 831 76 00

FAX +48 74 831 17 00

pce@pce.pl, www.pce.pl

X-ON Electronics

Largest Supplier of Electrical and Electronic Components

Click to view similar products for [Heavy Duty Power Connectors](#) category:

Click to view products by [PCE](#) manufacturer:

Other Similar products are found below :

[6646058-2](#) [6646137-1](#) [6646138-1](#) [6646940-1](#) [6651091-1](#) [6651525-1](#) [6651529-1](#) [696475-1](#) [702-32-01109](#) [73080255059](#) [7310205040001](#)
[765-16-0080B](#) [765-18-0080D](#) [MHDM35-15-K](#) [902-77-02113](#) [PS00/A0620/6300](#) [PS25/A0420/63](#) [AN0024023](#) [154-42B7WM250](#) [1643543-1](#)
[1766966-1](#) [1791340000](#) [NLDFT-3-BL-L-S120-M40A](#) [1926015-1](#) [NPS-3-BL-T6](#) [2-1589900-8](#) [9300480317](#) [294-0091-01100](#) [295-0068-](#)
[01100](#) [296-0040-01100](#) [1-6609148-0](#) [A32595-0049](#) [1766249-1](#) [19000005132](#) [1-966831-8](#) [AN0024202](#) [AN0264023](#) [279-0841-10100A](#) [281-](#)
[0334-00100A](#) [RMSB4](#) [419-2083-301](#) [LCDX4/0-14B-X](#) [075-8519-001](#) [078238-1613](#) [07.470.3256.0](#) [09000005288](#) [09140240311](#)
[09300240303](#) [09370009946](#) [09300160318ML](#)