



Quality Products. Service Excellence.

Type 4X Polycarbonate Junction Box (Solid and Clear Cover) *PCJ Series*

Hinged Screw Cover



Application

- Designed to insulate and protect controls and components in both indoor and outdoor conditions
- Ideal for industrial pump controls, waste water, irrigation control along with solar/wind and chemical plants

Standards

- UL 508A Type 1, 2, 3, 4, 4X, 12 and 13
- CSA Type 1, 2, 3, 4, 4X, 12 and 13
- **Complies with**
 - NEMA Type 1, 2, 3, 4, 4X, 12 and 13
 - IEC 60529, IP66
 - Flammability V-O per UL 94
 - UV rating (f1) per UL746C - UV stabilized for outdoor use
 - Compliant with RoHS directive

Construction

- Injection moulded polycarbonate thermoplastic enclosure with matching cover is easily punched, cut, or drilled
- Enhanced UV inhibitors protect against outdoor weathering
- Threaded brass inserts are provided for optional inner panel or terminal kit mounting. Mounting hardware is included
- Stainless steel 316 screw fasteners
- Door fasteners include a provision for padlocking on Snap Latches
- Enclosure available with clear Polycarbonate cover
- Molded hinge with 316 stainless steel pin
- Captive oil resistant gasket provides a positive seal
- Available with Polycarbonate flange or foot mount brackets for multi-directional mounting
- Operating temperatures between 130°C and - 35 °C (266°F to - 31 °F)
- Impact index of 16 J (12 ft/lb)
- For corrosion resistance information, please refer to table in the Technical Information section

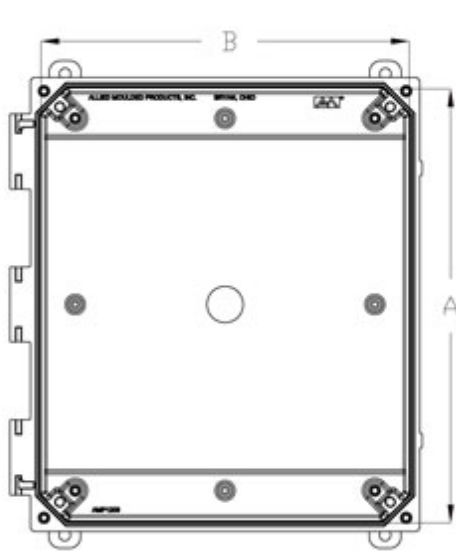
Finish

- Polycarbonate material has a Light gray finish
- Optional inner panels are available in white powder coated finished steel or unfinished aluminum, or Fiberglass

Accessories

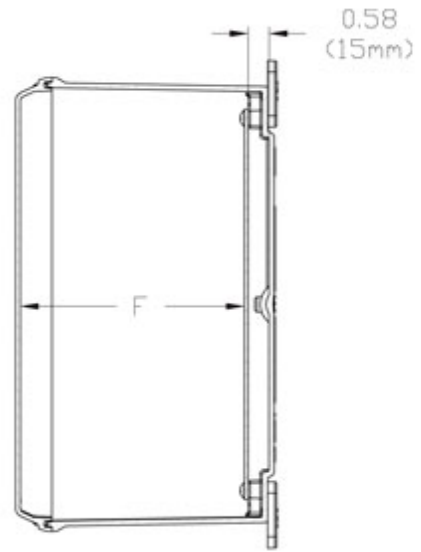
- Additional Inner Panels
- Pole Mounting Kit
- Moulded Replacement Polycarbonate Flange
- Swing Panel
- PJ/PJU/PCJ Replacement Hardware Kits
- Moulded Replacement Polycarbonate Feet

- Climate Control
- General Accessories

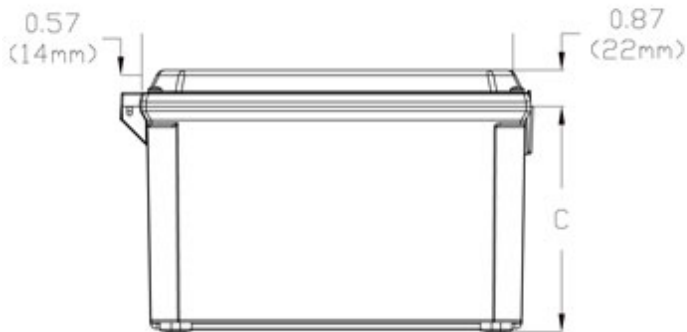


NOTE: COVER REMOVED FOR CLARITY

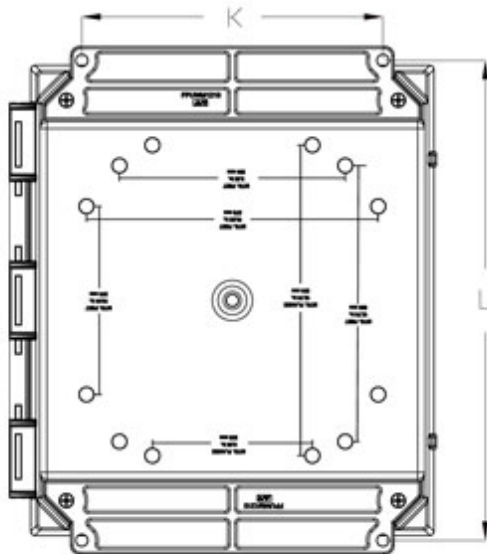
Front View



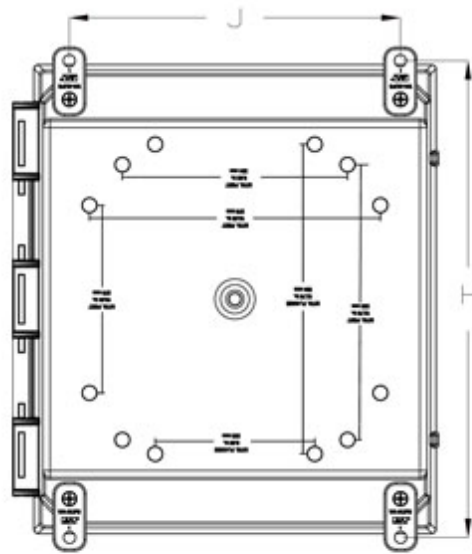
Side View



End View



Rear View - Flanged Mount



Rear View - Foot Mount

Flanged

Solid Cover

Clear Cover

Optional Steel

Solid Cover Part No.	Clear Cover Part No.	Overall Dimensions			Panel Dimensions		Mounting Centers		Optional Steel Inner Panel Part No.
Part No.	Part No.	A	B	C	D	E	K	L (inches)	Part No.
PCJ664HF	PCJ664CCHF	5.93	6.16	3.98	4.81	4.81	4.00	6.88 / 6.75	PCJR0505
PCJ864HF	PCJ864CCHF	7.94	6.16	3.98	6.75	4.88	4.00	8.88 / 8.75	PCJR0705
PCJ884HF	PCJ884CCHF	7.94	8.15	3.98	6.75	6.88	6.00	8.75	PCJR0808
PCJ1082HF	PCJ1082CCHF	9.93	8.15	2.70	8.75	6.88	6.00	10.75	PCJR0907
PCJ1084HF	PCJ1084CCHF	9.93	8.15	3.98	8.75	6.88	6.00	10.75	PCJR0907
PCJ1086HF	PCJ1086CCHF	9.93	8.15	5.98	8.75	6.88	6.00	10.75	PCJR0907
PCJ12104HF	PCJ12104CCHF	11.92	10.15	3.98	10.75	8.88	8.00	12.75	PCJR1109
PCJ12106HF	PCJ12106CCHF	11.92	10.15	5.98	10.75	8.88	8.00	12.75	PCJR1109
PCJ14126HF	PCJ14126CCHF	13.94	12.16	5.98	12.75	10.88	10.00	14.75 / 14.62	PCJR1311
PCJ16148HF	PCJ16148CCHF	15.98	13.98	9.81	14.75	12.88	12.00	17.75	14R1513
PCJ181610HF	PCJ181610CCHF	18.04	16.04		16.88	14.88	12.00	19.63/19.51	P1868

Mounting Feet

Solid Cover Mounting Feet Part No.	Clear Cover Mounting Feet Part No.	Overall Dimensions			Panel Dimensions		Mounting Centers		Optional Steel Inner Panel Part No.
Part No.	Part No.	A	B	C	D	E	J	H	Part No.
PCJ664H	PCJ664CCH	5.93	6.16	3.98	4.81	4.81	4.91	6.75	PCJR0505
PCJ864H	PCJ864CCH	7.94	6.16	3.98	6.75	4.88	4.91	8.75	PCJR0705
PCJ884H	PCJ884CCH	7.94	8.15	3.98	6.75	6.88	6.91	8.75	PCJR0808
PCJ1082H	PCJ1082CCH	9.93	8.15	2.70	8.75	6.88	6.91	10.75	PCJR0907
PCJ1084H	PCJ1084CCH	9.93	8.15	3.98	8.75	6.88	6.91	10.75	PCJR0907
PCJ1086H	PCJ1086CCH	9.93	8.15	5.98	8.75	6.88	6.91	10.75	PCJR0907
PCJ12104H	PCJ12104CCH	11.92	10.15	3.98	10.75	8.88	8.82	12.70	PCJR1109
PCJ12106H	PCJ12106CCH	11.92	10.15	5.98	10.75	8.88	8.82	12.70	PCJR1109
PCJ14126H	PCJ14126CCH	13.94	12.16	5.98	12.75	10.88	10.82	14.70	PCJR1311
PCJ16148H	PCJ16148CCH	15.98	13.98	7.81	14.75	12.88	11.47	17.91	14R1513
PCJ181610H	PCJ181610CCH	18.04	16.04	9.81	16.88	14.88	13.72	19.91	P1868

Data subject to change without notice

© 2018. Hammond Manufacturing Ltd. All rights reserved.

X-ON Electronics

Largest Supplier of Electrical and Electronic Components

Click to view similar products for [Electrical Enclosures](#) category:

Click to view products by [Hammond](#) manufacturer:

Other Similar products are found below :

[120-902](#) [120-905](#) [120-403](#) [120-475](#) [120-901](#) [127-410](#) [130-007](#) [130-504](#) [130-506](#) [MR-25L+](#) [30-8739](#) [PIP-11774SCREW](#) [30-9715](#) [MR-25LW+](#) [110-407](#) [111-004](#) [111-008](#) [110-402](#) [110-901](#) [110-907](#) [111-002](#) [110-406](#) [110-910](#) [110-404](#) [110-409](#) [110-410](#) [120-405](#) [106-009](#) [106-505](#) [105-401](#) [106-006](#) [104-406](#) [137-002](#) [105-405](#) [111-005](#) [127-909](#) [106-502](#) [130-475](#) [130-503](#) [127-401](#) [106-010](#) [127-455](#) [127-475](#) [110-903](#) [R260-180-300](#) [9511020](#) [9822029](#) [9820014](#) [P61603000P](#) [9823009](#)