



Quality Products. Service Excellence.

## Type 4X Polycarbonate Junction Box (Solid and Clear Cover) *PCJ Series*

Metal Latch Cover



### Application

- Designed to insulate and protect controls and components in both indoor and outdoor conditions
- Ideal for industrial pump controls, waste water, irrigation control along with solar/wind and chemical plants

### Standards

- UL 508A Type 1, 2, 3, 4, 4X, 12 and 13
- CSA Type 1, 2, 3, 4, 4X, 12 and 13
- Complies with
  - NEMA Type 1, 2, 3, 4, 4X, 12 and 13
  - IEC 60529, IP66
  - Flammability V-O per UL 94
  - UV rating (f1) per UL746C - UV stabilized for outdoor use
  - Compliant with RoHS directive

### Construction

- Injection moulded polycarbonate thermoplastic enclosure with matching cover is easily punched, cut, or drilled
- Enhanced UV inhibitors protect against outdoor weathering
- Threaded brass inserts are provided for optional inner panel or terminal kit mounting. Mounting hardware is included
- Stainless steel 316 screw fasteners
- Door fasteners include a provision for padlocking on Snap Latches
- Enclosure available with clear Polycarbonate cover
- Molded hinge with 316 stainless steel pin
- Captive oil resistant gasket provides a positive seal
- Available with Polycarbonate flange or foot mount brackets for multi-directional mounting
- Operating temperatures between 130°C and - 35 °C (266°F to - 31 °F)
- Impact index of 16 J (12 ft/lb)
- For corrosion resistance information, please refer to table in the Technical Information section

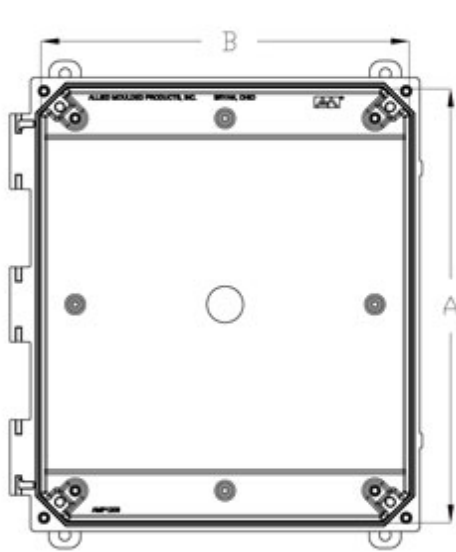
### Finish

- Polycarbonate material has a Light gray finish
- Optional inner panels are available in white powder coated finished steel or unfinished aluminum, or Fiberglass

### Accessories

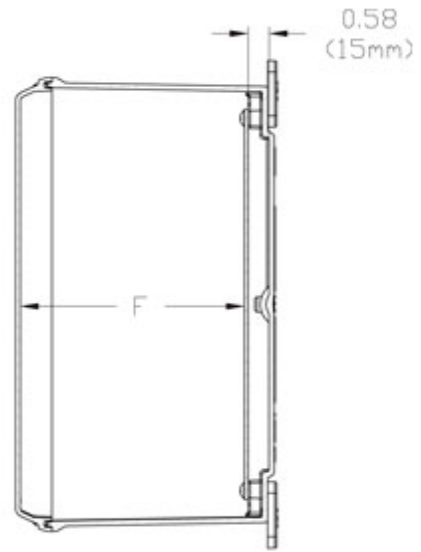
- Additional Inner Panels
- Pole Mounting Kit
- Moulded Replacement Polycarbonate Flange
- Swing Panel
- PJ/PJU/PCJ Replacement Hardware Kits
- Moulded Replacement Polycarbonate Feet

- Climate Control
- General Accessories

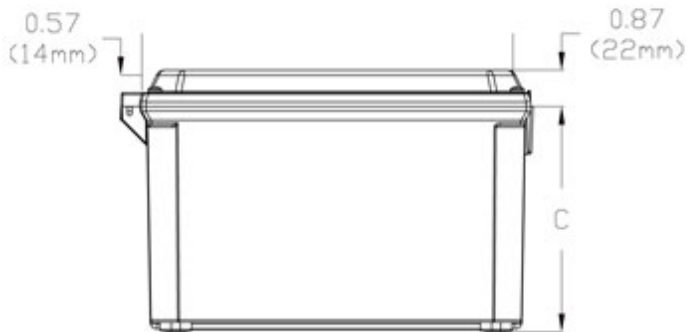


NOTE: COVER REMOVED FOR CLARITY

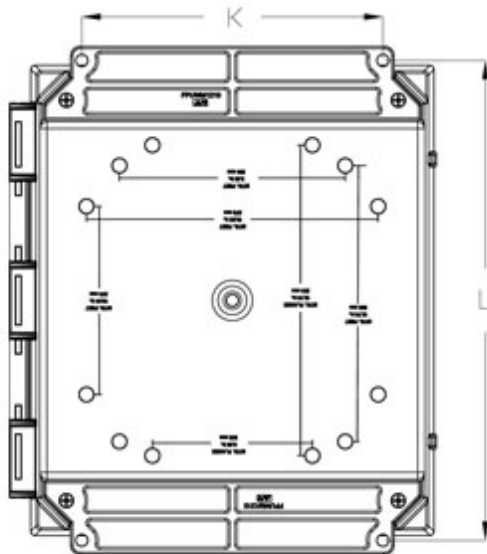
**Front View**



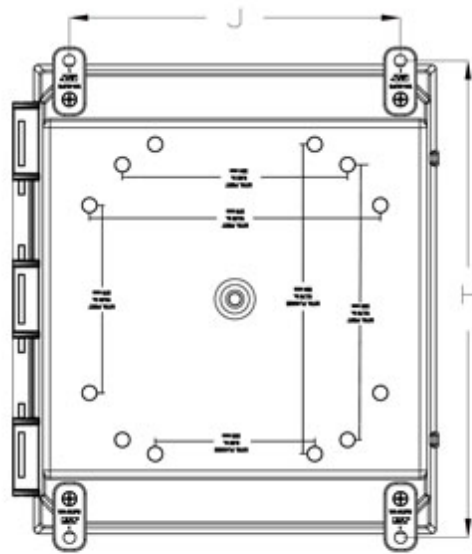
**Side View**



**End View**



**Rear View - Flanged Mount**



**Rear View - Foot Mount**

**Flanged**

Solid Cover

Clear Cover

Optional Steel

Solid Cover Part No.	Clear Cover Part No.	Overall Dimensions			Panel Dimensions		Mounting Centers		Optional Steel Inner Panel Part No.
Part No.	Part No.	A	B	C	D	E	K	L (inches)	Part No.
PCJ664LF	PCJ664CCLF	5.93	6.16	3.98	4.81	4.81	4.00	6.88 / 6.75	PCJR0505
PCJ864LF	PCJ864CCLF	7.94	6.16	3.98	6.75	4.88	4.00	8.88 / 8.75	PCJR0705
PCJ884LF	PCJ884CCLF	7.94	8.15	3.98	6.75	6.88	6.00	8.75	PCJR0808
PCJ1082LF	PCJ1082CCLF	9.93	8.15	2.70	8.75	6.88	6.00	10.75	PCJR0907
PCJ1084LF	PCJ1084CCLF	9.93	8.15	3.98	8.75	6.88	6.00	10.75	PCJR0907
PCJ1086LF	PCJ1086CCLF	9.93	8.15	5.98	8.75	6.88	6.00	10.75	PCJR0907
PCJ12104LF	PCJ12104CCLF	11.92	10.15	3.98	10.75	8.88	8.00	12.75	PCJR1109
PCJ12106LF	PCJ12106CCLF	11.92	10.15	5.98	10.75	8.88	8.00	12.75	PCJR1109
PCJ14126LF	PCJ14126CCLF	13.94	12.16	5.98	12.75	10.88	10.00	14.75 / 14.62	PCJR1311
PCJ16148LF	PCJ16148CCLF	15.98	13.98	7.81	14.75	12.88	12.00	17.75	14R1513
PCJ181610LF	PCJ181610CCLF	18.04	16.04	9.81	16.88	14.88	12.00	19.63/19.51	P1868

## Mounting Feet

Solid Cover Mounting Feet Part No.	Clear Cover Mounting Feet Part No.	Overall Dimensions			Panel Dimensions		Mounting Centers		Optional Steel Inner Panel Part No.
Part No.	Part No.	A	B	C	D	E	J	H	Part No.
PCJ664L	PCJ664CCL	5.93	6.16	3.98	4.81	4.81	4.91	6.75	PCJR0505
PCJ864L	PCJ864CCL	7.94	6.16	3.98	6.75	4.88	4.91	8.75	PCJR0705
PCJ884L	PCJ884CCL	7.94	8.15	3.98	6.75	6.88	6.91	8.75	PCJR0808
PCJ1082L	PCJ1082CCL	9.93	8.15	2.70	8.75	6.88	6.91	10.75	PCJR0907
PCJ1084L	PCJ1084CCL	9.93	8.15	3.98	8.75	6.88	6.91	10.75	PCJR0907
PCJ1086L	PCJ1086CCL	9.93	8.15	5.98	8.75	6.88	6.91	10.75	PCJR0907
PCJ12104L	PCJ12104CCL	11.92	10.15	3.98	10.75	8.88	8.82	12.70	PCJR1109
PCJ12106L	PCJ12106CCL	11.92	10.15	5.98	10.75	8.88	8.82	12.70	PCJR1109
PCJ14126L	PCJ14126CCL	13.94	12.16	5.98	12.75	10.88	10.82	14.70	PCJR1311
PCJ16148L	PCJ16148CCL	15.98	13.98	7.81	14.75	12.88	11.47	17.91	14R1513
PCJ181610L	PCJ181610CCL	18.04	16.04	9.81	16.88	14.88	13.72	19.91	P1868

Data subject to change without notice

© 2018. Hammond Manufacturing Ltd. All rights reserved.

## X-ON Electronics

Largest Supplier of Electrical and Electronic Components

*Click to view similar products for [Electrical Enclosures](#) category:*

*Click to view products by [Hammond](#) manufacturer:*

Other Similar products are found below :

[120-902](#) [120-905](#) [120-403](#) [120-475](#) [120-901](#) [127-410](#) [130-007](#) [130-504](#) [130-506](#) [MR-25L+](#) [30-8739](#) [PIP-11774SCREW](#) [30-9715](#) [MR-25LW+](#) [110-407](#) [111-004](#) [111-008](#) [110-402](#) [110-901](#) [110-907](#) [111-002](#) [110-406](#) [110-910](#) [110-404](#) [110-409](#) [110-410](#) [120-405](#) [106-009](#) [106-505](#) [105-401](#) [106-006](#) [104-406](#) [137-002](#) [105-405](#) [111-005](#) [127-909](#) [106-502](#) [130-475](#) [130-503](#) [127-401](#) [106-010](#) [127-455](#) [127-475](#) [110-903](#) [R260-180-300](#) [9511020](#) [9822029](#) [9820014](#) [P61603000P](#) [9823009](#)