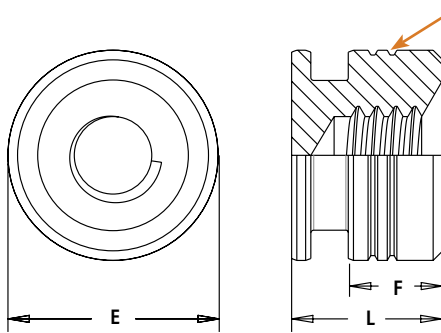


SMTBSO™ ReelFast® SURFACE MOUNT FASTENERS

- Internal blind-hole threads securely mounts onto PC Board - less risk of damage to PC Board during assembly
- Allows for copper traces to run under the fastener which better utilizes space on the board
- Enhanced PC Board performance due to cut out of the fastener that allows for localized heat up of the area in contact with the solder

NEW

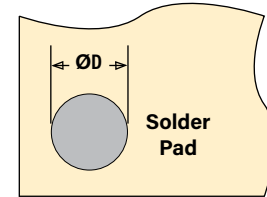


PART NUMBER DESIGNATION

SMTBSO - 440 - 6 ET

↓ ↓ ↓ ↓

Type and Material Thread Code Length Code Finish



All dimensions are in inches.

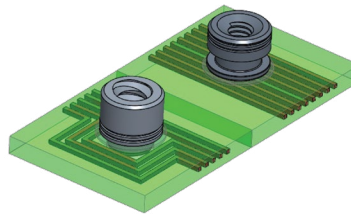
UNIFIED	Thread Size	Type	Thread Code	Length Code "L" ±.005 (Length code in 32nds of an inch)	E ±.005	ØD Min. Solder Pad	F Min.
		.112-40 (#4-40)	SMTBSO	440	.187 6	.219	.244

All dimensions are in millimeters.

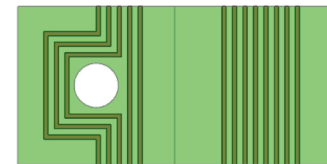
METRIC	Thread Size	Type	Thread Code	Length Code "L" ±0.13 (Length code in millimeters)	E ±0.13	ØD Min. Solder Pad	F Min.
		M3 x 0.5	SMTBSO	M3	4	5.56	6.2

NUMBER OF PARTS PER REEL

Part Number	Number of Parts per Reel
SMTBSO-440-6ET	900
SMTBSO-M3-4ET	1000



The SMTBSO™ fastener does not require a through hole allowing for copper traces to run under the fastener which better utilizes space on the board.



PC Board with through hole. PC Board without through hole.

X-ON Electronics

Largest Supplier of Electrical and Electronic Components

Click to view similar products for [Screws & Fasteners](#) category:

Click to view products by [PEM manufacturer](#):

Other Similar products are found below :

[5721-1440-1/4-SS](#) [0098.0094](#) [0098.9206](#) [0098.9219](#) [0098.9221](#) [59781-6](#) [0098.9212](#) [618-00001](#) [6292-1](#) [690432-1](#) [699161-000](#) [700989](#)
[7230-3](#) [72609-02](#) [CAPTIVE JACK SCREW](#) [73542-02](#) [CAPTIVE SHORT THUMBSCREW](#) [745564-1](#) [751-00001](#) [7680](#) [809704-1](#) [8700](#)
[8860220](#) [9521](#) [992763-3](#) [1-18024-0](#) [A168P1](#) [1-24921-1](#) [125416-1](#) [1301810148](#) [1301810313](#) [1301810400](#) [1301830031](#) [1-306131-6](#)
[1301810131](#) [1301830042](#) [1393160-3](#) [1458](#) [1-59781-3](#) [18029-4](#) [NBX-10953](#) [NUT-16-3P-HEX-NICKEL](#) [2079764-1](#) [20993.45098](#) [21004-1](#)
[21009-4](#) [21014-5](#) [21021-2](#) [CA24037A01](#) [22987-4](#) [2-305927-7](#) [2327](#)