

North America: Danboro, PA • E-mail: info@pemnet.com • Tel: +1-215-766-8853

Europe: Galway, Ireland • E-mail: europe@pemnet.com • Tel: +353-91-751714

Asia/Pacific: Singapore • E-mail: singapore@pemnet.com • Tel: +65-6-745-0660
Shanghai, China • E-mail: china@pemnet.com • Tel: +86-21-5868-3688

Part # SS-M5-2ZI, Self-Clinching Nuts - Types S, SS, CLS, CLSS, SP - Metric

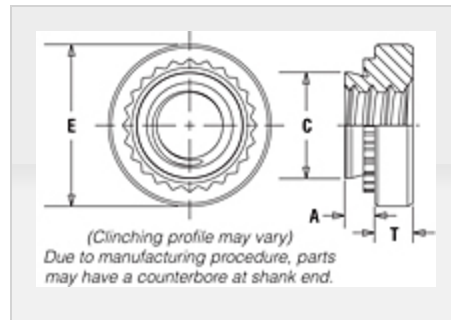
Type S, SS, CLS, and CLSS nuts provide load-bearing threads in thin sheets with high pushout and torque-out resistance.

Type SP, PEM 300® nuts provide strong load-bearing threads in stainless steel sheets as thin as .030".

Types S / SS are recommended for use in steel or aluminum sheets HRB (Rockwell "B" scale) 80 or less and HB (Hardness Brinell) 150 or less.

Type SP is recommended for use in stainless steel sheets HRB (Rockwell "B" scale) 90 or less and HB (Hardness Brinell) 185 or

[+ more](#)



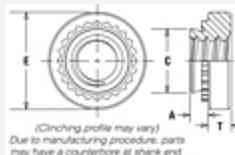
Specifications

Thread Size x Pitch M5 x 0.8

Thread Code M5

Shank Code 2

A (Shank) Max. 1.38 mm



Rec. Min. Sheet Thickness⁽¹⁾	1.4 mm
Hole Size in Sheet + 0.08	6.35 mm
C Max.	6.33 mm
E ± 0.25	8.64 mm
T ± 0.25	2 mm
Min. Dist. Hole C/L to Edge⁽²⁾	7.1 mm
For Use in Sheet Hardness⁽³⁾	HRB 80 / HB 150 or less
Thread Specification	Internal, ASME B1.13M, 6H
Fastener Material	Heat-Treated Carbon Steel
Standard Finish	Zinc plated per ASTM B633, SC1 (5µm), Type III, colorless
CAD Supplier	PennEngineering® (PEM®)

¹ For maximum performance, we recommend that you use the maximum shank length for your sheet thickness.

² To minimize sheet distortion and maximize product performance, use a centerline-to-edge value greater or equal to the value specified.

³ HRB - Hardness Rockwell "B" Scale. HB - Hardness Brinell.

X-ON Electronics

Largest Supplier of Electrical and Electronic Components

Click to view similar products for [Mounting Fixings](#) category:

Click to view products by [PEM manufacturer](#):

Other Similar products are found below :

[5912235-2](#) [007541](#) [627](#) [M3783-7001](#) [71-074914-006](#) [75-69211-3P](#) [75-69214-6P](#) [75-69220-27S](#) [75-69224-5S](#) [7717-8DAP](#) [85043GULPR](#)
[85047GULPT](#) [85048GBESR](#) [FPK-02-R10](#) [PMS27488-001-01](#) [1-18023-0](#) [H-118-2](#) [DB1](#) [1302030464](#) [DC37-22-21PX](#) [1302010957](#)
[1302263564](#) [1302340393](#) [1404-0016-78](#) [14540](#) [1561-60](#) [1566](#) [1566](#) [BR16A](#) [HS5659MB98PN](#) [NT20SATT01](#) [201C5058-01-201 REV E](#)
[22594-8](#) [KBB-141](#) [89078GBEPR](#) [89078GBESR](#) [915060](#) [SF4011-60101](#) [97-CS-50](#) [1671](#) [1855-54](#) [T-2085-SP](#) [20800240002](#) [21899-4](#) [2193](#)
[2518](#) [25745-1](#) [H-118-1](#) [354467](#) [37184](#)