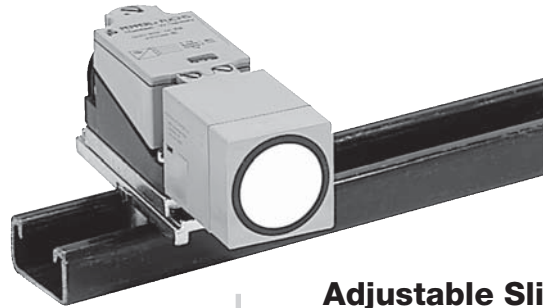
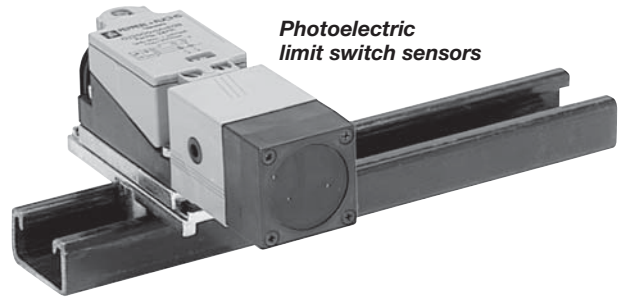
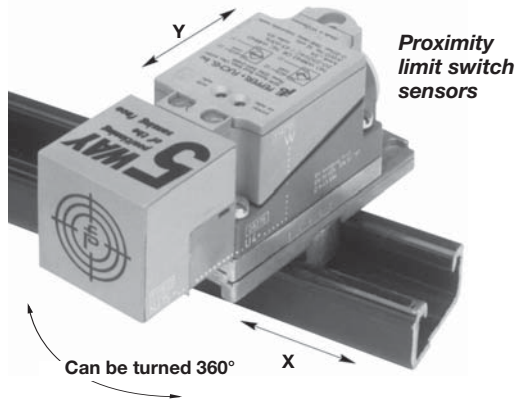


# Accessories

## Limit Switch Sensors

### Mounting Brackets



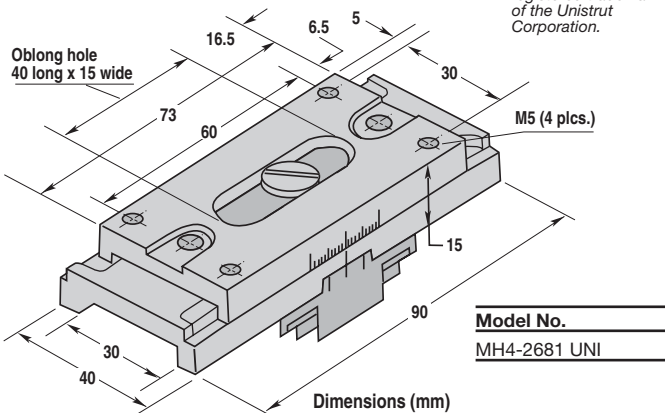
### Adjustable Unistrut® Bracket

The adjustable Unistrut type mounting bracket is especially designed for the limit switch style sensors and can be adjusted up to 20mm along the Y axis. It can be rotated 360° in increments of 1.87° and fits into the Unistrut. The bracket can be moved along the X axis to the full length of the Unistrut.

The bracket is furnished with four M5x20mm screws and two headless screws. The Unistrut mounting track can be ordered in lengths of 2 feet.

To order specify **MH4-2681 UNI**.

Unistrut® is a registered trademark of the Unistrut Corporation.



### Mounting Instructions

**Example 1:** Position bracket on Unistrut and lock in place with snap lock screw. Then back off snap lock screw slightly to allow movement of the bracket on the Unistrut. Mount and fasten the sensor loosely with two M5x20mm screws, using the elongated holes. Then screw the headless screws into the round holes.

Align in the desired position, tighten screws to hold the sensor firmly in place. Sensor can be removed from the mounting bracket without affecting sensing range adjustment by removing the two M5x20mm screws and lifting sensor up and over the two headless screws. To remount the sensor, simply slide the sensor onto the two headless screws and fasten the sensor tightly using the two M5x20mm screws through elongated holes.

**Example 2:** Position bracket on Unistrut and lock in place with snap lock screw. Then back off snap lock screw slightly to allow movement of the bracket on the Unistrut. Mount and fasten the sensor loosely with the mounting screws (M5x20mm). Align in desired position and tighten the four mounting screws to hold the sensor firmly in place.

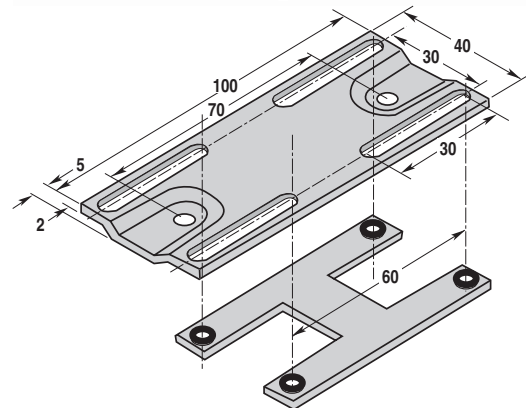
### Adjustable Slide Bracket

With this bracket the completely mounted and wired sensor can be moved up to 30mm. When the M5-16mm sensor mounting screws are loosened, the sensor can be moved back and forth easily.

This allows precise adjustment of the sensing point. The sensor can be secured in the proper position by tightening the mounting screws. Made of aluminum to resist corrosion.

To order specify model number **MH4-2057**.

<b>Model No.</b>
MH4-2057



## X-ON Electronics

Largest Supplier of Electrical and Electronic Components

*Click to view similar products for* [Industrial Panel Mount Indicators / Switch Indicators](#) *category:*

*Click to view products by* [Pepperl & Fuchs](#) *manufacturer:*

Other Similar products are found below :

[LW1A-P1-W](#) [LW1B-A0L](#) [01-152.025](#) [D38999/20FJ29PB L/C](#) [704-6020](#) [704-6026](#) [73.362.4028.0](#) [EUS-704.000.7](#) [750-1520](#) [9001OA120](#)  
[99-450.837](#) [99-455.837](#) [99-486.837](#) [99-901.9](#) [99-902.9](#) [99-908.0](#) [99-909.4](#) [99-909.5](#) [A0244J1](#) [A3DT-500Y](#) [AL6M-P7P-A](#) [AOLQW-2B0600](#)  
[AP1M255-A](#) [APD106LN-A](#) [APD106LN-G](#) [APN1126-G](#) [APS122DN-W](#) [ATN2100](#) [AYLW4L-A](#) [18-237.035](#) [C0180AANA](#) [HW1A-L1-](#)  
[GD](#) [HW1A-P2-GL](#) [HW1F-3G](#) [HW1R-2DF20-R](#) [HW1X-BM411-R](#) [HW2A-L1-GL](#) [HW2A-P1-GD](#) [HW4S-31L](#) [HWAZ1N-OB](#) [PA2200/1](#)  
[PA2SHIELD](#) [21-931.2](#) [96-923.5](#) [1625006](#) [99-451.837](#) [99-480.837](#) [99-481.837](#) [99-908.9](#) [99-909.2](#)