

# ION<sup>®</sup> 500 and 3000 Digital Drives



**ION 500 and 3000 Digital Drives** are compact, fully enclosed modules that provide high performance motion control, network connectivity and power amplification. Two power output levels are available, the ION 500 is rated at 500 Watts and the ION 3000 is rated at 3,000 Watts. All IONs can drive DC Brush, Brushless DC and step motors, and are ideal for medical, scientific, semiconductor, robotic, industrial and other automation applications.

## Powerful Features

IONs provide high power density in a rugged, flexible form factor. They perform profile generation, servo compensation, stall detection, field oriented control, digital torque control and many other motion control functions. Additional features include Ethernet, CANbus or serial communications, general purpose digital and analog I/Os, and full programmability for the ION 500 CME.

## Easy To Use and Program

Working with the ION Digital Drive, PMD's powerful Pro-Motion<sup>®</sup> GUI makes it easy to graph and analyze axis performance, while C-Motion<sup>®</sup> allows users to develop their own applications using C/C++. Programmable versions (ION/CME) include PMD's C-Motion of the ION Drives Engine, allowing users to directly run code on the ION, off-loading the system host and enabling standalone operation.

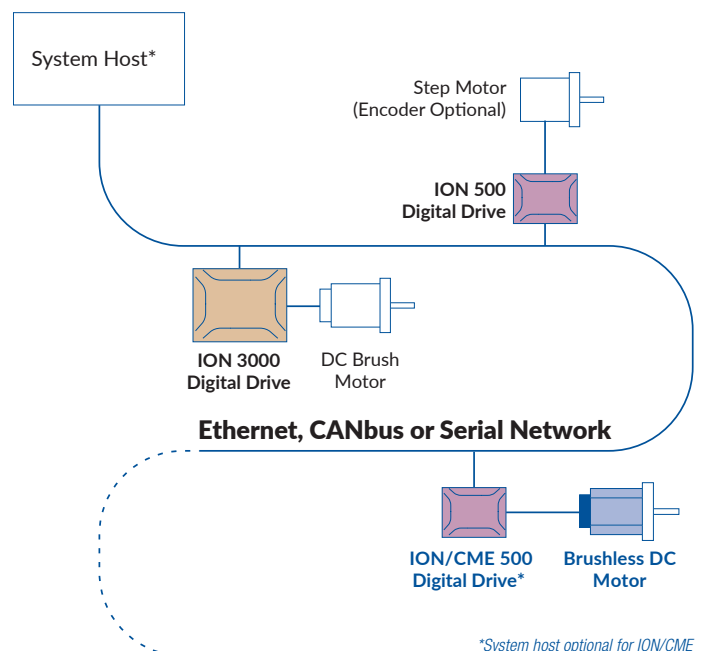
## Built on the Magellan<sup>®</sup> Motion Control IC

ION's Magellan Motion provides a powerful instruction set to control the motion application, monitor performance and synchronize overall drive behavior. User selectable profiling modes include S-curve, trapezoidal, velocity contouring and electronic gearing. Servo loop compensation utilizes PID control, velocity and acceleration feedforward, and dual bi-quad filters. Additional features include limit switches, breakpoints, secondary encoder input for master-slave and electronic gearing applications.

## FEATURES

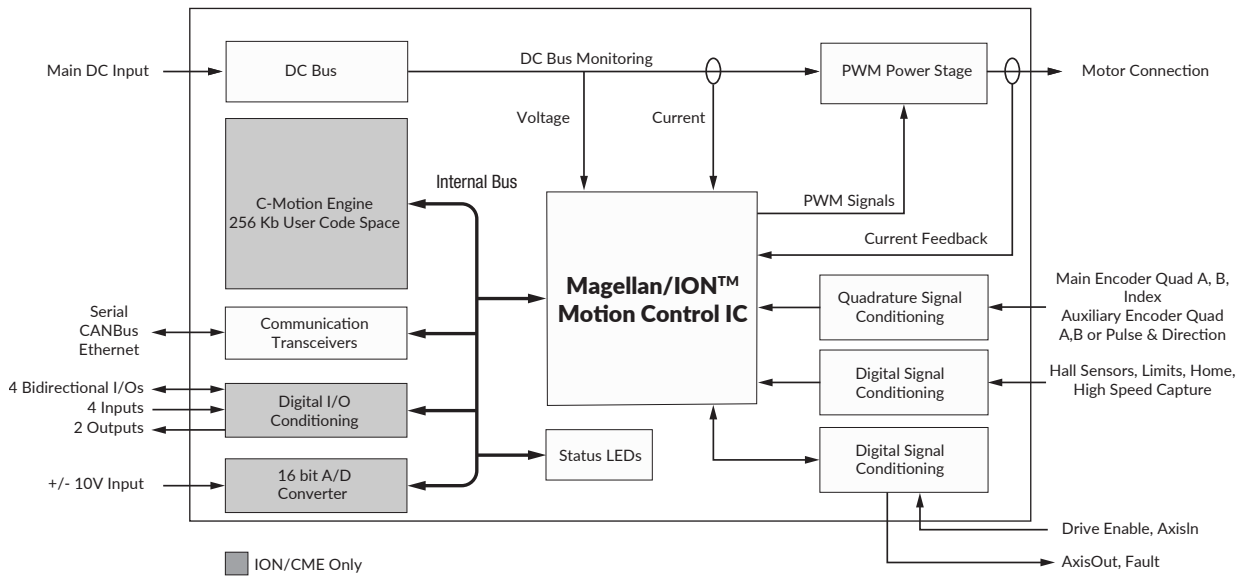
- DC Brush, Brushless DC and step motor versions
- Ethernet, CANbus or serial communications
- S-curve, trapezoidal, velocity contouring, electronic gearing profiles
- Pulse and direction input
- 500 W or 3000 W power rating
- Up to 20 A continuous, up to 30 A peak current
- 12-56 V or 20-195 V single power source
- High-efficiency MOSFETs
- 40 kHz PWM frequency
- 102  $\mu$ sec servo loop rate
- Auxiliary encoder input supports gearing and dual loop applications
- Position and current loops
- Field oriented control
- Sinusoidal commutation
- Stall detection and auto current reduction
- Programmable acceleration and deceleration
- Advanced PID filter with velocity and acceleration feedforward
- Programmable dual biquad filters
- +/- 10V high resolution 16-bit ADC input
- Up to 8 general purpose user inputs and 6 general purpose outputs
- Execution of C-Motion code at up to 96 MIPS
- 256 KB of programmable user code space
- C-Motion Engine development tools

## CONFIGURATION



\*System host optional for ION/CME

# Technical Overview



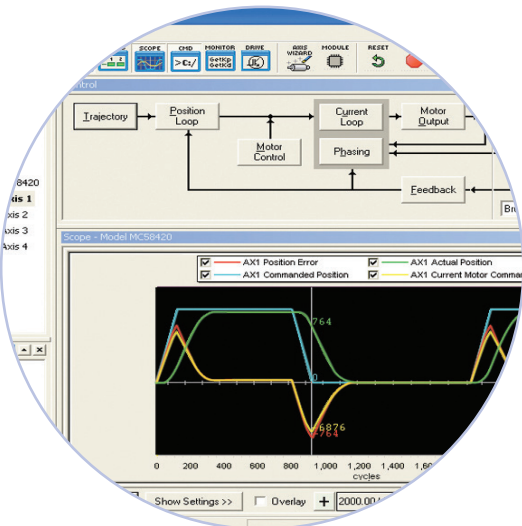
Specifications	ION 500	ION/CME 500	ION 3000
<b>Supported Motor Types</b>	DC Brush, Brushless DC, step motor		
<b>Voltage Input</b>	12-56 VDC	12-56 VDC	20-195 VDC
<b>DC Brush Continuous current output</b>	9.8 ADC	9.8 ADC	20 ADC
<b>DC Brush Peak current output</b>	21 ADC (2 sec)	21 ADC (2 sec)	30 A
<b>DC Brush Continuous power output</b>	500 W	500 W	3000 W
<b>Brushless DC Continuous current output</b>	8 A rms	8 A rms	15 A rms
<b>Brushless DC Peak current output</b>	15 A rms (2 sec)	15 A rms (2 sec)	30 A (per phase)
<b>Brushless DC Continuous power output</b>	500 W	500 W	2500 W
<b>Step Continuous current output</b>	5 A rms	5 A rms	30 A (per phase)
<b>Step Continuous power output</b>	350 W	350 W	1500 W
<b>Supported communication options</b>	RS232/485, CANbus, Ethernet	RS232/485, Ethernet	RS232/485, CANbus
<b>Brushless DC commutation modes</b>	Sinusoidal, 6-step, field oriented control		
<b>Microstepping resolution</b>	256 $\mu$ steps/step		
<b>PWM frequency</b>	20 kHz or 40 kHz (user selectable)		
<b>Loop rates</b>	Commutation and current loop: 51.2 $\mu$ sec; Position loop and trajectory generator: 102.4 $\mu$ sec to 1.6 sec		
<b>C-Motion Engine MIPS</b>	NA	Execute CME code @ up to 96 MIPS	NA
<b>User Program Size</b>	NA	256 KB Flash	NA
<b>User RAM</b>	NA	48 KB RAM	NA
<b>Differential Inputs</b>	Encoder A, Encoder B, Index, Aux Encoder A, Aux Encoder B		
<b>Digital Inputs</b>	Hall A, Hall B, Hall C, Home, +Limit, -Limit, AxisIn, High-speed capture		
<b>Digital Output</b>	AxisOut		
<b>Additional I/Os</b>	NA	4 digital bidirectional I/Os, 2 digital outputs, 4 digital inputs	NA
<b>Analog Input</b>	NA	+/- 10 V range and 16 bits resolution	NA
<b>Short Circuit Protection</b>	Line-to-line, line-to-power supply and line-to-case		
<b>Interlocks</b>	Enable input, fault output, over/under voltage & overtemperature shutdown		
<b>Operating Temperature</b>	0 degrees to 40 degrees C		0 degrees to 40 degrees C
<b>CE/RoHS Compliance</b>	EN60204-1, EN55011, EN61000-6-1, EN61000-6-3 CE marked; RoHS compliant		
<b>UL Compliance</b>	Designed to UL508c		UL Recognized
<b>Mechanical Dimensions</b>	4.3" (109.2 mm) x 3.03" (76.9 mm) x 1.63" (41.4 mm)		5.75" (146 mm) x 3.88" (98.5 mm) x 1.63" (41.4 mm)
<b>Weight</b>	0.6 lb (0.28 kg)	0.6 lb (0.28 kg)	1 lb (0.5 kg)

# Development Tools

## 1 EASY START-UP Developers Kit

### INCLUDES

- ION 500, ION/CME 500, or ION 3000 Developer's Kit available
- Pro-Motion software
- Software Development Kit (SDK) with C-Motion
- Complete manual set
- Complete cable and prototyping connector set



## 2 TUNE & OPTIMIZE Pro-Motion® GUI

Pro-Motion is a sophisticated, easy-to-use Windows-based exerciser program for use with PMD motion control ICs, modules, and boards.

### FEATURES

- Motion oscilloscope graphically displays processor parameters in real-time
- Autotuning
- Ability to save and load settings
- Axis wizard
- Distance and time units conversion
- Motor-specific parameter setup
- Axis shuttle performs programmable motion between two positions
- Communications monitor echoes all commands sent by Pro-Motion to the board
- Advanced Bode analysis for frequency machine response

## 3 BUILD THE APP C-Motion®

C-Motion is a complete, easy-to-use, motion programming language that includes a source library containing all the code required for communicating with PMD motion ICs, boards, and modules.

### C-MOTION FEATURES INCLUDE:

- Extensive library of commands for virtually all motion design needs
- Develop embeddable C/C++ applications
- Complete, functional examples
- Supports PC104, serial, CAN, Ethernet, and SPI communications

```
// code for executing a profile and tracing
// captured in this example could be used for tuning the Pro-Motion GUI

// set the trace buffer wrap mode to a one time trace
PMDTraceMode(hAxis1, PMDTraceOneTime);

// set the processor variables that we want to capture
PMDSetTraceVariable(hAxis1, PMDTraceVariable1, PMDAxis1);
PMDSetTraceVariable(hAxis1, PMDTraceVariable2, PMDAxis1);
PMDSetTraceVariable(hAxis1, PMDTraceVariable3, PMDAxis1);

// set the trace to begin when we issue the next update command
PMDSetTraceStart(hAxis1, PMDTraceConditionNextUpdate);

// set the trace to stop when the MotionComplete event occurs
PMDSetTraceStop(hAxis1, PMDTraceConditionEventStatus,
PMDEventMotionCompleteBit, PMDTraceStateHigh);
PMDSetProfileMode(hAxis1, PMDTrapezoidalProfile);

// set the profile parameters
PMDSetPosition(hAxis1, 200000);
PMDSetVelocity(hAxis1, 0x200000);
PMDSetAcceleration(hAxis1, 0x1000);
PMDSetDeceleration(hAxis1, 0x1000);

PMDStartMotion(hAxis1);
```

## PMD PRODUCT FAMILY OVERVIEW

	# Axes	Motor Types	Format	Voltage	Communication	Features
<b>JUNO® VELOCITY &amp; TORQUE CONTROL ICs</b> 	1	<ul style="list-style-type: none"> <li>Brushless DC</li> <li>DC Brush</li> <li>Step Motor</li> </ul>	<ul style="list-style-type: none"> <li>64-pin TQFP</li> <li>56-pin VQFN</li> </ul>	3.3 V	<ul style="list-style-type: none"> <li>RS232/485</li> <li>CANbus</li> <li>SPI</li> </ul>	<ul style="list-style-type: none"> <li>Velocity control</li> <li>Current control</li> <li>Field oriented control</li> </ul>
<b>MAGELLAN® MOTION CONTROL ICs</b> 	1,2,3,4	<ul style="list-style-type: none"> <li>Brushless DC</li> <li>DC Brush</li> <li>Step Motor</li> </ul>	<ul style="list-style-type: none"> <li>144-pin TQFP</li> <li>100-pin TQF</li> </ul>	3.3 V	<ul style="list-style-type: none"> <li>RS232/485</li> <li>CANbus</li> <li>SPI</li> <li>Parallel</li> </ul>	<ul style="list-style-type: none"> <li>Position control</li> <li>Torque/current control</li> <li>Field oriented control</li> <li>Profile generation</li> </ul>
<b>ATLAS® DIGITAL AMPLIFIERS</b> 	1	<ul style="list-style-type: none"> <li>Brushless DC</li> <li>DC Brush</li> <li>Step Motor</li> </ul>	<ul style="list-style-type: none"> <li>20-pin solderable module</li> </ul>	12-56 V	<ul style="list-style-type: none"> <li>SPI</li> <li>Pulse and direction</li> </ul>	<ul style="list-style-type: none"> <li>Torque/current control</li> <li>Field oriented control</li> <li>MOSFET amplifier</li> </ul>
<b>ION®/CME N-SERIES DIGITAL DRIVES</b> 	1	<ul style="list-style-type: none"> <li>Brushless DC</li> <li>DC Brush</li> <li>Step Motor</li> </ul>	<ul style="list-style-type: none"> <li>Fully enclosed PCB-mounted module</li> </ul>	12-56 V	<ul style="list-style-type: none"> <li>Ethernet</li> <li>RS232/485</li> <li>CAN FD</li> <li>SPI</li> </ul>	<ul style="list-style-type: none"> <li>Position control</li> <li>Torque/current control</li> <li>Field oriented control</li> <li>Profile generation</li> <li>MOSFET amplifier</li> <li>Downloadable user code</li> </ul>
<b>ION® 500 &amp; 3000 DIGITAL DRIVES</b> 	1	<ul style="list-style-type: none"> <li>Brushless DC</li> <li>DC Brush</li> <li>Step Motor</li> </ul>	<ul style="list-style-type: none"> <li>Fully enclosed cable-connected module</li> </ul>	12-56 V 20-195 V	<ul style="list-style-type: none"> <li>Ethernet</li> <li>RS232/485</li> <li>CANbus</li> </ul>	<ul style="list-style-type: none"> <li>Position control</li> <li>Torque/current control</li> <li>Field oriented control</li> <li>Profile generation</li> <li>MOSFET amplifier</li> <li>Downloadable user code</li> </ul>
<b>PRODIGY® MOTION BOARDS</b> 	1,2,3,4	<ul style="list-style-type: none"> <li>Brushless DC</li> <li>DC Brush</li> <li>Step Motor</li> </ul>	<ul style="list-style-type: none"> <li>Machine Controller</li> <li>PC/104</li> <li>Standalone</li> </ul>	<ul style="list-style-type: none"> <li>5 V: PC/104 and Standalone</li> <li>12-56 V: Machine Controller</li> </ul>	<ul style="list-style-type: none"> <li>Ethernet</li> <li>RS232/485</li> <li>CANbus</li> <li>PC/104 bus</li> </ul>	<ul style="list-style-type: none"> <li>Position control</li> <li>Torque/current control</li> <li>Field oriented control</li> <li>Profile generation</li> <li>Downloadable user code</li> </ul>

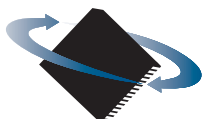
C-Motion® is the common motion language for all Performance Motion Devices products.

## FOR ORDERING

**DD131S0056/15**

<b>Use Type:</b> D Standard K Development Kit	<b>ION Body Style:</b> 1 ION 500 and 3000 3 ION 500 CME 4 N-Series ION	<b>Motor Type:</b> 1 DC Brush 3 BLDC 4 Step 8 Multimotor	<b># of Axis:</b> 1	<b>Communication:</b> S Serial D Ethernet+Serial C CAN	<b>Power Selection:</b> 0056/02 N-Series ION - Low 0056/06 N-Series ION - Medium 0056/15 ION 500 0056/18 N-Series ION - High 0195/30 ION 3000
---	---	--	------------------------	---	--

To place an order email [purchaseorders@pmdcorp.com](mailto:purchaseorders@pmdcorp.com). For questions email [support@pmdcorp.com](mailto:support@pmdcorp.com)



**PERFORMANCE  
MOTION DEVICES**  
MOTION CONTROL AT ITS CORE

1 Technology Park Dr, Westford, MA 01886  
 Tel: 978.266.1210 Fax: 978.266.1211  
 e-mail: [info@pmdcorp.com](mailto:info@pmdcorp.com)  
[www.pmdcorp.com](http://www.pmdcorp.com)

### About Performance Motion Devices

Performance Motion Devices (PMD) is a worldwide leader in motion control ICs, boards and modules. Dedicated to providing cost-effective, high performance motion systems to OEM customers, PMD utilizes extensive in-house expertise to minimize time-to-market and maximize customer satisfaction.

ATLAS, ION, Juno, Magellan, Navigator, Pilot, Prodigy, C-Motion and Pro-Motion are trademarks of Performance Motion Devices, Inc. All other trade names, brand names and company names are the property of their respective owners. 2021 Performance Motion Devices, Inc.

## X-ON Electronics

Largest Supplier of Electrical and Electronic Components

*Click to view similar products for [Controllers](#) category:*

*Click to view products by [Performance Motion Devices](#) manufacturer:*

Other Similar products are found below :

[61FGPN8DAC120](#) [CV500SLK21](#) [70177-1011](#) [F03-03 HAS C](#) [F03-31](#) [81550401](#) [FT1A-C12RA-W](#) [FT1A-C14SA-B](#) [88981106](#) [H2CAC24A](#)  
[H2CRSAC110B](#) [R88A-CRGB003CR-E](#) [R88ARR080100S](#) [R88A-TK01K](#) [DCN1-1](#) [DRT2ID08C](#) [DTB4896VRE](#) [DTB9696CVE](#)  
[DTB9696LVE](#) [E53-AZ01](#) [E53E01](#) [E53E8C](#) [E5C4Q40J999FAC120](#) [E5CWLQ1TCAC100240](#) [E5GNQ03PFLKACDC24](#) [B300LKL21](#)  
[NSCXDC1V3](#) [NSH5-232CW-3M](#) [NT20SST122BV1](#) [NV-CN001](#) [OAS-160-N](#) [C40PEDRA](#) [K31S6](#) [K33-L1B](#) [K3MA-F](#) [100-240VAC](#)  
[K3TX-AD31A](#) [89750101](#) [L595020](#) [SRM1-C02](#) [SRS2-1](#) [FT1A-C14SA-S](#) [G32X-V2K](#) [26546803](#) [26546805](#) [H7HP-C8D](#) [PWRA440A](#)  
[CPM1AETL03CH](#) [CV500SLK11](#) [3G2A5BI081](#) [3G2A5IA122](#)