

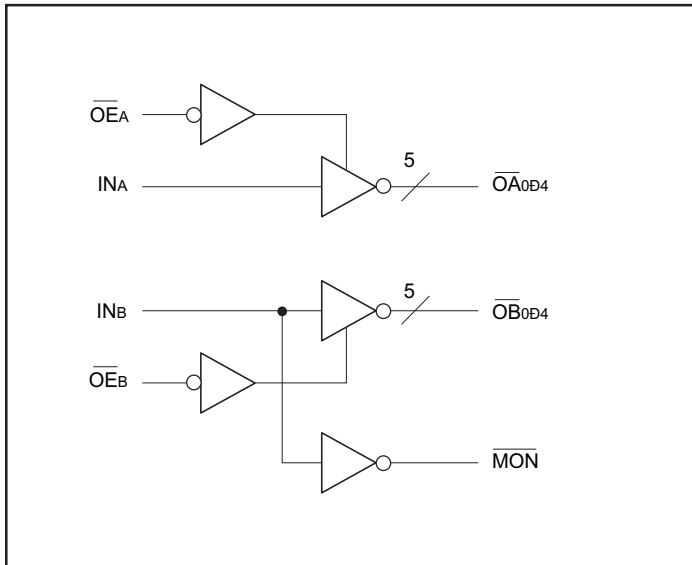
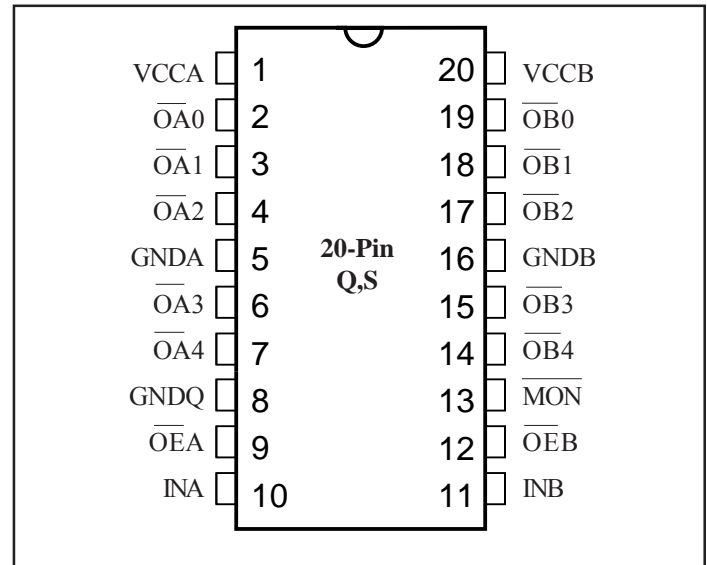
Features

- Low output skew: <270ps
- Switching frequency of 133 MHz
- Fast output rise/fall time <1.5ns
- Low propagation delay <3.0ns
- Low input capacitance <6.0pF
- Balanced CMOS outputs
- Industrial Temperature: -40°C to +85°C
- 3.3V ±10% operation
- Packaging (Pb-free & Green available):
-20-pin 150-mil wide QSOP(Q)

Description

Pericom Semiconductor's PI49FCT32806 are inverting drivers. The outputs are configured into 2 groups of 1-in, 5-out with independent output enable. Group B has an extra MON output. Excellent output signals to power and ground ratio minimize power and ground noise, and also improves output performance.

PI49FCT32806 integrate series damping resistors on all outputs.

Block Diagram

Pin Configuration

Pin Description

Pin Name	Description
$\overline{OE}A, \overline{OE}B$	Hi-Z State Output Enable Inputs (Active LOW)
INA, INB	Clock Inputs
OAN, OBN	Clock Outputs
MON	Monitor Output
GND	Ground
Vcc	Power

Truth Table⁽¹⁾

Inputs		Outputs	
$\overline{OE}A, \overline{OE}B$	INA, INB	$\overline{O}AN, \overline{O}BN$	\overline{MON}
L	L	H	H
L	H	L	L
H	L	Z	H
H	H	Z	L

Note:

1. H=High Voltage Level
Z=High Impedance
L=Low Voltage Level

Capacitance ($T_A = 25^\circ\text{C}$, $f = 1\text{ MHz}$)

Parameters ⁽¹⁾	Description	Test Conditions	Typ	Max.	Units
C_{IN}	Input Capacitance	$V_{IN} = 0V$	3.0	4	pF
C_{OUT}	Output Capacitance	$V_{OUT} = 0V$	–	6	pF

Maximum Ratings

(Above which the useful life may be impaired. For user guidelines, not tested.)

Storage Temperature	-65°C to $+150^\circ\text{C}$
Ambient Temperature with Power Applied	-40°C to $+85^\circ\text{C}$
Supply Voltage to Ground Potential (Inputs & Vcc Only)	$-0.5V$ to $+4.6V$
Supply Voltage to Ground Potential (Outputs & I/O Only)	$-0.5V$ to $+4.6V$
DC Input Voltage	$-0.5V$ to $+4.6V$
DC Output Current	120mA
Power Dissipation	0.5W

Note:

Stresses greater than those listed under MAXIMUM RATINGS may cause permanent damage to the device. This is a stress rating only and functional operation of the device at these or any other conditions above those indicated in the operational sections of this specification is not implied. Exposure to absolute maximum rating conditions for extended periods may affect reliability.

Operating Range

 Ambient Temperature = -40°C to $+85^\circ\text{C}$, $V_{CC} = 3.3V \pm 0.3V$
DC Electrical Characteristics (Over the Operating Range)

Symbol	Description	Test Conditions ⁽¹⁾		Min.	Typ. ⁽²⁾	Max.	Units
V_{OH}	$V_{CC} = \text{min.}$ $V_{IN} = V_{IL}$ or V_{IH} Output high voltage	$I_{OH} = -8\text{mA}$		2.4 ⁽³⁾	3.0	–	V
V_{OL}	Output low voltage $V_{CC} = \text{min.}$ $V_{IN} = V_{IL}$ or V_{IH}	$I_{OL} = 12\text{mA}$		–	0.4	0.5	
V_{IH}	Input high voltage	LOW logic		2.0	–	$V_{CC} - 0.2$	
V_{IL}	Input low voltage	HIGH logic		-0.5	–	0.8	
I_{IH}	Input high current	$V_{CC} = 3.6V$, $V_{IN} = 3.6V$		–	–	1	μA
I_{IL}	Input low current	$V_{CC} = 3.6V$, $V_{IN} = 0V$		–	–	-1	
I_{OZH} I_{OZL}	High impedance output current	$V_{CC} = 3.6V$ all outputs disabled	$V_{OUT} = V_{CC}$ $V_{OUT} = \text{GND}$	– –	– –	1 -1	
V_{IK}	Clamp diode voltage	$V_{CC} = \text{min.}$, $I_{IN} = -18\text{mA}$		–	-0.7	-1.2	V
I_{OH}	Output HIGH ⁽⁴⁾ current	$V_{OUT} = 1.5V$, $V_{IN} = V_{IL}$ or V_{IH} $V_{CC} = 3.3V$		-25	-45	-80	mA
I_{OL}	Output LOW ⁽⁴⁾ current	$V_{OUT} = 1.5V$, $V_{IN} = V_{IL}$ or V_{IH} $V_{CC} = 3.3V$		25	45	90	
I_{OS}	Short circuit ⁽⁵⁾ current	$V_{CC} = \text{max.}$ $V_{OUT} = \text{GND}$		-50	-100	-180	
R_S	Internal series resistor				22		Ohm

(Please see page 3 for Notes.)

Notes:

1. For Max. or Min. conditions, use appropriate value specified under Electrical Characteristics for the applicable device type.
2. Typical values are at $V_{CC}=3.3V$, $+25^{\circ}C$ ambient and maximum loading.
3. $V_{OH}=V_{CC}-0.6V$ at rated current.
4. This parameter is determined by device characterization but is not production tested.
5. Not more than one output should be shorted at one time. Duration of the test should not exceed one second.

Power Supply Characteristics

Parameters	Description	Test Conditions ⁽¹⁾		Min.	Typ ⁽²⁾	Max.	Units
I_{CC}	Quiescent Power Supply Current	$V_{CC}=\text{Max.}$	$V_{IN}=\text{GND or } V_{CC}$	—	3	30	μA
DI_{CC}	Supply Current per Inputs @ TTL HIGH	$V_{CC}=\text{Max.}$	$V_{IN}=V_{CC}-0.6V^{(3)}$	—	15.0	300	μA
I_{CCD}	Supply Current per Input per MHz ⁽⁴⁾	$V_{CC}=\text{Max.},$ Outputs Open \overline{OE}_A or $\overline{OE}_B=\text{GND}$ Per Output Toggling 50% Duty Cycle	$V_{IN}=V_{CC}$ $V_{IN}=\text{GND}$	—	0.08	0.16	mA/ MHz
I_C		$V_{CC}=\text{Max.},$ Outputs Open $f_O=10\text{ MHz}$ 50% Duty Cycle \overline{OE}_A or $\overline{OE}_B=\text{GND}$ Mon. Outputs Toggling	$V_{IN}=V_{CC}$ $V_{IN}=\text{GND}$	—	3.3	9.0 ⁽⁵⁾	mA
			$V_{IN}=V_{CC}-0.6V$ $V_{IN}=\text{GND}$	—	3.3	10.0 ⁽⁵⁾	
		$V_{CC}=\text{Max.},$ Outputs Open $f_O=2.5\text{ MHz}$ 50% Duty Cycle \overline{OE}_A or $\overline{OE}_B=\text{GND}$ Eleven Outputs Toggling	$V_{IN}=V_{CC}$ $V_{IN}=\text{GND}$	—	1.8	6.0 ⁽⁵⁾	
			$V_{IN}=V_{CC}-0.6V$ $V_{IN}=\text{GND}$	—	1.8	7.0 ⁽⁵⁾	

Notes:

1. For Max. or Min. conditions, use appropriate value specified under Electrical Characteristics for the applicable device.
2. Typical values are at $V_{CC}=3.3V$, $+25^{\circ}C$ ambient.
3. Per TTL driven input ($V_{IN}=V_{CC}-0.6V$); all other inputs at V_{CC} or GND.
4. This parameter is not directly testable, but is derived for use in Total Power Supply Calculations.
5. Values for these conditions are examples of the I_C formula. These limits are guaranteed but not tested.

$$I_C = I_{\text{QUIESCENT}} + I_{\text{INPUTS}} + I_{\text{DYNAMIC}}$$

$$I_C = I_{CC} + \Delta I_{CC} D_H N_T + I_{CCD} (f_O N_O)$$

I_{CC} = Quiescent Current
 ΔI_{CC} = Power Supply Current for a TTL High Input ($V_{IN}=V_{CC}-0.6V$)
 D_H = Duty Cycle for TTL Inputs High
 N_T = Number of TTL Inputs at D_H
 I_{CCD} = Dynamic Current Caused by an Input Transition Pair (HLH or LHL)
 f_O = Output Frequency
 N_O = Number of Outputs at f_O
 All currents are in milliamps and all frequencies are in megahertz.

Switching Characteristics over Operating Range

Symbol	Description	Condition	Max. ⁽²⁾	Units
t_{PLH} t_{PHL}	Propagation Delay A to Bn ⁽⁴⁾	15pF	3.0	ns
t_{R}/t_{F}	Rise/Fall Time ⁽²⁾ 0.5V - 2.0V	15pF	1.5	
$t_{SK(p)}$	Pulse Skew ⁽²⁾	Same Output	0.7	
$t_{SK(o)}$	Output Skew ⁽²⁾	Same Package, Same Bank	0.27	
$t_{SK(t)}$	Package Skew ⁽²⁾	Same Device, Same Bank	0.55	
$t_{ZL}, t_{ZH},$ t_{LZ}, t_{HZ}	Enable/Disable Time	$C_L = 15pF$	5.2	
F_{MAX}	Input Frequency	$C_L = 15pF$	133	MHz

Note:

1. Lumped load, $C_L = 15pF$
2. These parameters are guaranteed by design
3. Minimum propagation delay of 1.5ns is guaranteed but not tested.

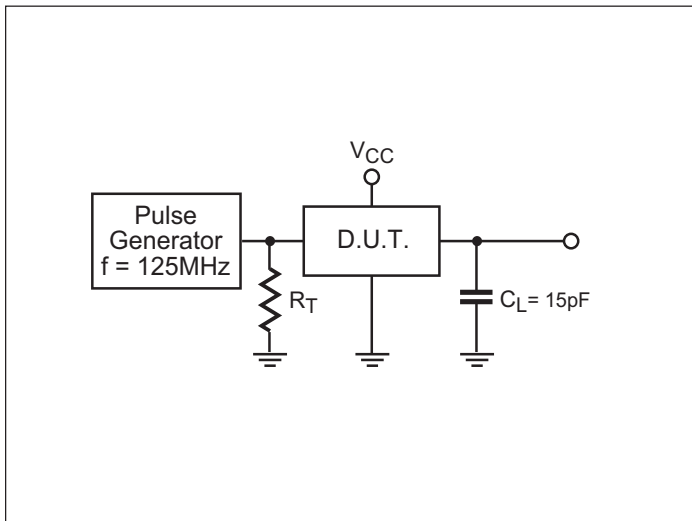
Switch Position

Test	Switch
Disable LOW Enable LOW	6V
Disable HIGH Enable HIGH	GND
All Other Inputs	Open

Definitions:

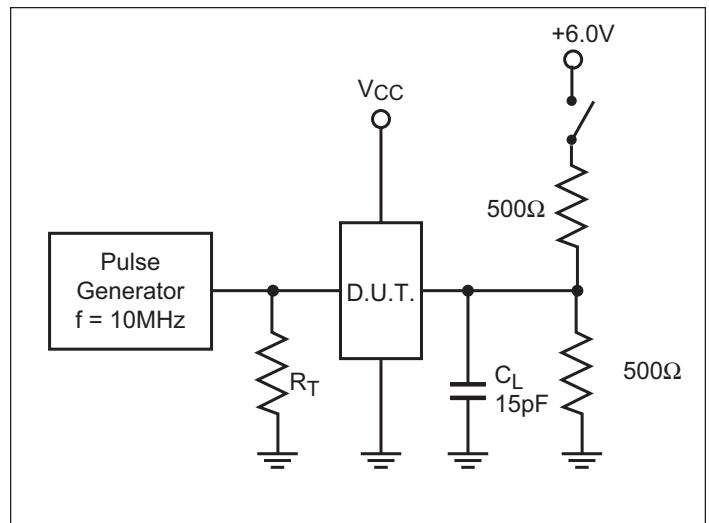
C_L = Load capacitance: includes jig and probe capacitance.
 R_T = Termination resistance: should be equal to Z_{OUT} of the Pulse Generator.

Tests Circuit for $F_{IN} > 100 MHz$ ⁽²⁾



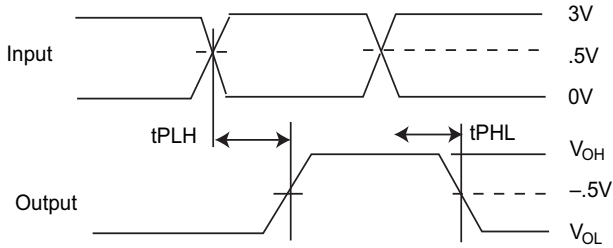
R_T = Termination resistance – should be equal to Z_{OUT} of the pulse generator

Tests Circuit for Enable/Disable Time

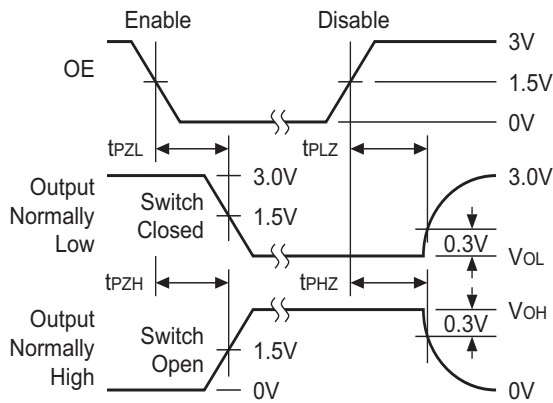


Switching Waveforms

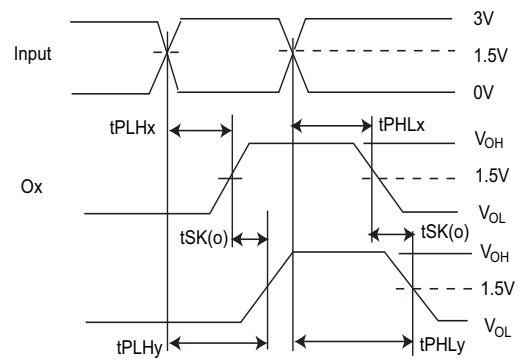
Propagation Delay



Enable and Disable Times

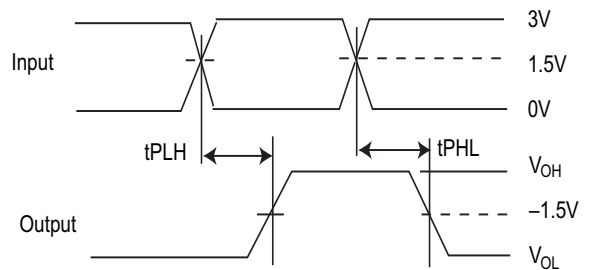


Output Skew – $t_{SK(o)}$

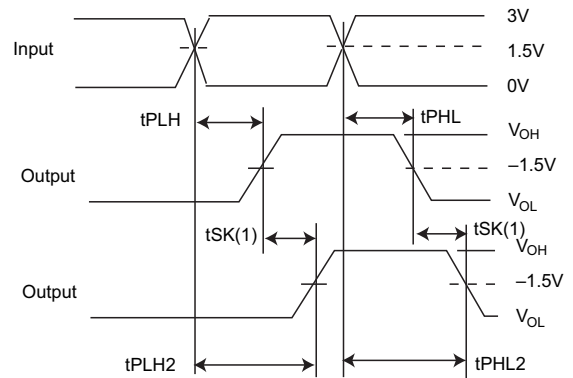


$$t_{SK(o)} = |t_{PHLy} - t_{PLHx}| \text{ or } |t_{PHLy} - t_{PHLx}|$$

Pulse Skew – $t_{SK(p)}$

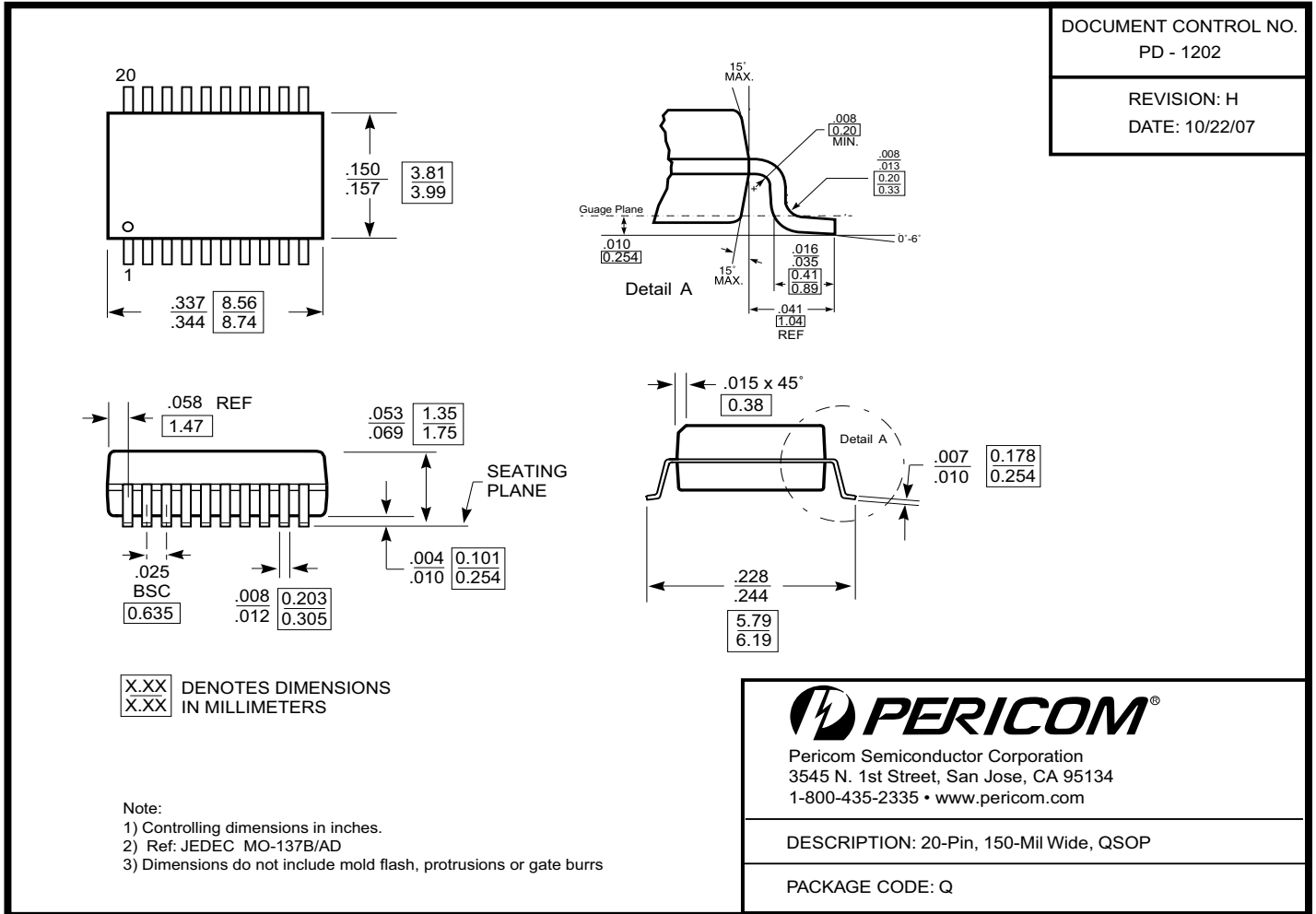


Package Skew – $t_{SK(t)}$



$$t_{SK(1)} = |t_{PLH2} - t_{PLH1}| \text{ or } |t_{PHL2} - t_{PHL1}|$$

Packaging Mechanical: 20-Pin QSOP (Q)



Ordering Information

Ordering Code	Package Code	Package Type
PI49FCT32806QE	Q	Pb-free & Green, 20-pin 150-mil QSOP

Notes:

1. Thermal characteristics can be found on the company web site at www.pericom.com/packaging/

X-ON Electronics

Largest Supplier of Electrical and Electronic Components

Click to view similar products for [Clock Buffer](#) category:

Click to view products by [Pericom](#) manufacturer:

Other Similar products are found below :

[PL133-27GI](#) [9DBV0541AKLF](#) [9DBV0941AKLF](#) [MPC962309EJ-1H](#) [NB3M8304CDG](#) [NB4N121KMNG](#) [NB7VQ58MMNG](#) [P5P2305AF-1H08SR](#) [8T39S11ANLGI](#) [8T73S1802NLGI](#) [9DBV0941AKILF](#) [MC10E111FNG](#) [MK2308S-1HILF](#) [5PB1216NDGK](#) [6V31024NLG](#) [P5I2305AF-1H08SR](#) [PL133-27GI-R](#) [9DBV0941AKILFT](#) [NB3L02FCT2G](#) [NB3L03FCT2G](#) [NB7VQ58MMNHTBG](#) [ZL40203LDG1](#) [ZL40200LDG1](#) [9DMV0141AKILFT](#) [ZL40205LDG1](#) [ZL40212LDG1](#) [ZL40201LDG1](#) [9DBV0541AKILF](#) [PI49FCT32807QE](#) [552-02SPGGI](#) [9FG1200DF-1LF](#) [MDB1900ZCQY](#) [9ZXL1530DKILF](#) [8SLVP1102ANLGI/W](#) [ZL40223LDG1](#) [5PB1203NTGK8](#) [9FG1001BGLF](#) [MDB1900ZBQY](#) [5PB1214CMGK](#) [ZL40202LDG1](#) [8L30205NLGI8](#) [5PB1204CMGK](#) [5PB1214CMGK8](#) [5PB1203NTGK](#) [5PB1206NDGK](#) [PI49FCT20802QE](#) [MAX9317AECJ+](#) [SL2305SC-1T](#) [PI6C10810HE](#) [5P1103A517NLGI](#)