



10W Compact Fixed Blade USB Adapter



Features

- Fixed Blade
- Very low leakage
- Level VI Compliant
- Low Cost
- OVP, OCP and short circuit protection

Applications

- Tablets
- Portable GPS Devices
- Personal Electronics
- Digital Camera

Safety Approvals

- cULus 62368-1
- CB (IEC62368-1)
- CE

Output Specifications

Model	DC Output Voltage	Max Load	Ripple ¹ (pk-pk)	Regulation		Plug Type	Safety Approvals	Case Color
				Line	Load			
AQ10A-050B-H ²	5V	2.4A	150mV	±5%		US	UL	Black
AQ10A-050BP-H ³	5V	2.4A	150mV	±5%		US	UL	Black
AQ10A-050BW-H ²	5V	2.4A	150mV	±5%		US	UL	White
AQ10E-050B-H ²	5V	2.4A	150mV	±5%		EU	CE/CB	Black
AQ10E-050BP-H ³	5V	2.4A	150mV	±5%		EU	CE/CB	Black
AQ10E-050BW-H ²	5V	2.4A	150mV	±5%		EU	CE/CB	White
AQ10K-050B-H ²	5V	2.4A	150mV	±5%		UK	CE/CB	Black
AQ10K-050BW-H ²	5V	2.4A	150mV	±5%		UK	CE/CB	White

Notes

1. Measuring is done by 20MHz bandwidth oscilloscope and terminated each output with a 10uF aluminum electrolytic capacitor and a 0.1uF ceramic capacitor.
2. Special Order MOQ
3. The AQ10A-050BP-H and AQ10E-050BP-H support 5 charging methods:
 - a. Divider 1 (DCP Applying 2V on D+ Line and 2.7V on D- Line)
 - b. Divider 2 (DCP Applying 2.7V on D+ Line and 2V on D- Line)
 - c. USB Battery Charging Specification Revision 1.2 (BC1.2)
 - d. Chinese Telecommunications Industry Standard YD/T 1591-2009
 - e. 1.2V on both D+ and D- lines

INPUT:**AC Input Voltage Rating**

100 to 240VAC

AC Input Voltage Range

90 to 264VAC

AC Input Current

0.28A (RMS) max at 115VAC/60Hz

0.16A (RMS) max at 230VAC/50Hz

Leakage Current

125uA max @264Vac/50Hz

Inrush Current (cold)

<60A max @230VAC/50Hz

(Cold start @ ambient 25°C)

Input Power Saving

≤75mW @no load at 230VAC/50Hz

OUTPUT:**Power**

10W Continuous

Efficiency²

DOE Level VI

CoC V5 Tier 2

Hold-up Time

6mS min at 115Vac/60Hz

ENVIRONMENTAL:**Temperature**

Operation 0°C to +40°C

Non-operation -20°C to +70°C

Humidity 90%

Emissions

Complies with FCC Class B

Complies with EN55032 Class B

Immunity

ESD: EN61000-4-2

RS: EN61000-4-3

EFT: EN61000-4-4

Surge: EN61000-4-5

Dip: EN61000-4-11

Dielectric Withstand (Hi-pot) TestPrimary to Secondary: 3000VAC, 10mA,
for 1min**Insulation Resistance**Primary to Secondary: >10M ohm 500VDC,
1 min**FEATURES****Over-voltage Protection**

Output voltage shall not exceed 8V

Over-current Protection

Output current shall not exceed 3A

Short Circuit Protection

Auto recovery and no component damage

DC Output Connector

USB A

Notes:

1. The characteristics defined are at ambient temperature of 25°C unless otherwise specified
2. Efficiency is measured after 30 minutes burn-in

Mechanical Characteristics – US Models

- Length: 47mm (1.85in)
- Width: 38mm (1.49in)
- Height: 22.3mm (0.88in)
- Weight: 40g (1.41oz)

Mechanical Characteristics – EU Models

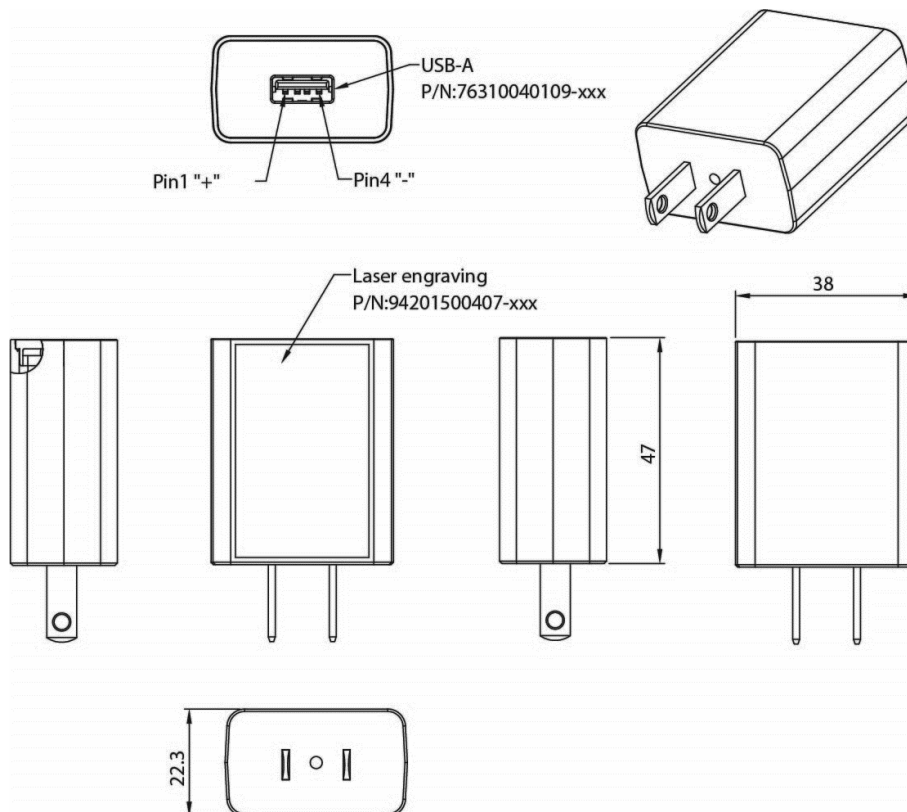
- Length: 59.1mm (2.17in)
- Width: 38mm (1.49in)
- Height: 22.3mm (0.88in)
- Weight: 40g (1.41oz)

Mechanical Characteristics – UK Models

- Length: 57mm (2.17in)
- Width: 48.3mm (1.90in)
- Height: 22.3mm (0.88in)
- Weight: 40g (1.41oz)

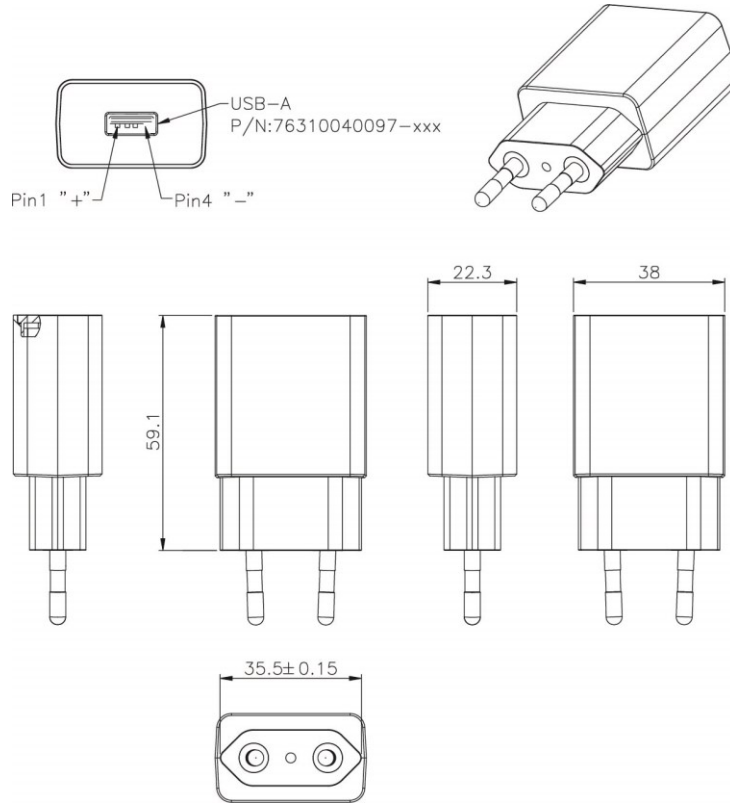
US Models

Dimension Diagram Unit: mm



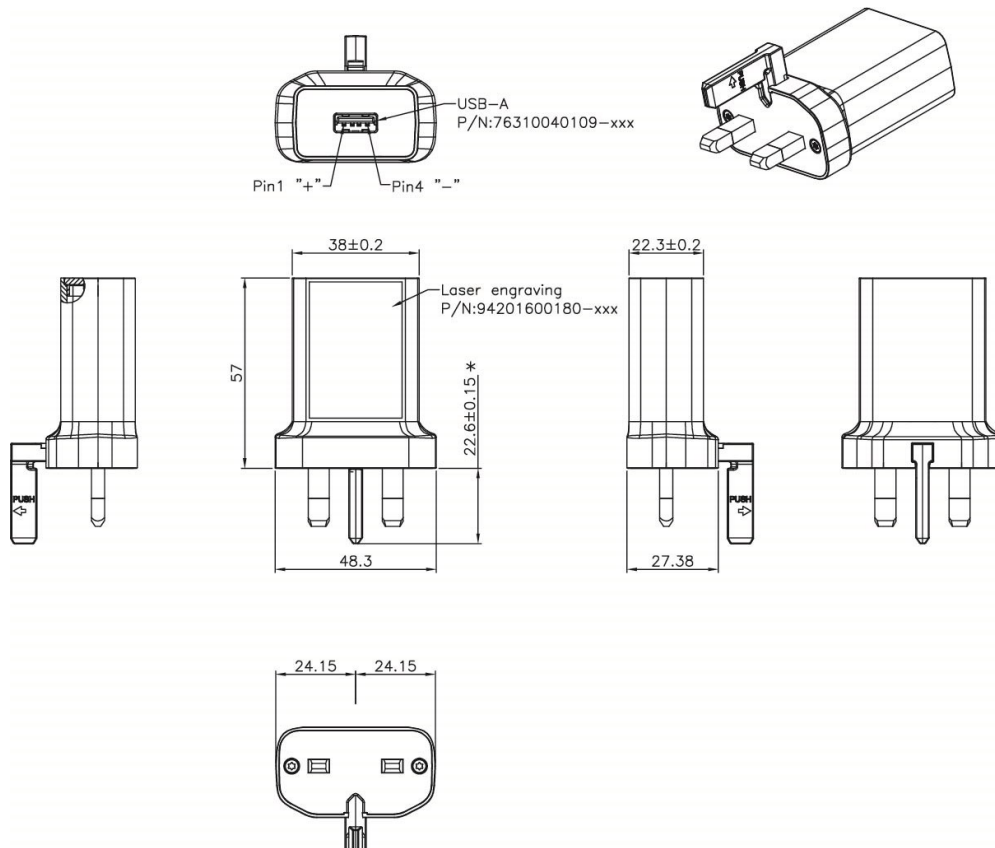
EU Models

Dimension Diagram Unit: mm



UK Models

Dimension Diagram Unit: mm



**Supplier's Declaration of Conformity
47 CFR § 2.1077 Compliance Information**

**Models: AQ10A-050B-H
AQ10A-050BP-H
AQ10A-050BW-H**

Phihong USA Corporation
47800 Fremont Boulevard
Fremont, CA 94538
Telephone: (510) 445-0100
www.phihong.com

The models in this product series have been tested and found to comply with the limits for a Class B digital device, pursuant to part 15 of the FCC Rules. These limits are designed to provide reasonable protection against harmful interference in a residential installation. This equipment generates, uses and can radiate radio frequency energy and, if not installed and used in accordance with the instructions, may cause harmful interference to radio communications. However, there is no guarantee that interference will not occur in a particular installation. If this equipment does cause harmful interference to radio or television reception, which can be determined by turning the equipment off and on, the user is encouraged to try to correct the interference by one or more of the following measures:

- Reorient or relocate the receiving antenna.
- Increase the separation between the equipment and receiver.
- Connect the equipment into an outlet on a circuit different from that to which the receiver is connected.
- Consult the dealer or an experienced radio/TV technician for help.

Changes or modifications to equipment not expressly approved by PHIHONG could void the user's authority to operate the equipment.

X-ON Electronics

Largest Supplier of Electrical and Electronic Components

Click to view similar products for [Wall Mount AC Adapters](#) category:

Click to view products by [Phihong](#) manufacturer:

Other Similar products are found below :

[ADP-163 E](#) [ADP-167 J](#) [ADP-168 K](#) [ADP-159 A](#) [ADP-165 G](#) [PSAC05A-050L6](#) [RLMDT361800](#) [P25A14E-R1C](#) [DA10-050CH](#) [DA5-050US-B](#) [DA10-050UK](#) [RLMDT701800](#) [WSU120-2000-R13](#) [WSU180-1330-13](#) [AC-DC ADAPTER 160W](#) [WSU120-2000-13](#) [WSU150-0800-13](#) [WSU075-3200-13](#) [WSU060-2000-R13](#) [WSU090-2500-13](#) [WSU050-2000-R13](#) [WSU240-1000-13](#) [WSU240-0500-R13](#) [WSU075-1500-13](#) [WSU050-3000-13](#) [WSU120-1500-13](#) [WSU120-1500-R13](#) [WSU045-1500-13](#) [WSU240-0750-13](#) [WSU090-2500-R13](#) [WSU240-1500-13](#) [WSU180-0660-13](#) [WSU075-1500-R13](#) [WSU090-1300-13](#) [WSU180-1330-R13](#) [BB-SMI1812VP230C1](#) [WSU050-1500-13](#) [WSU090-0800-13](#) [WSU120-0700-13](#) [WSU045-3000-13](#) [WSU180-0450-13](#) [WSU150-0560-R13](#) [WSU135-0880-13](#) [WSU120-3000-13](#) [WSU120-1000-R13](#) [WSU090-1300-R13](#) [WSU060-4000-13](#) [WSU060-1250-R13](#) [WSU060-1250-13](#) [WSU045-2000-R13](#)