



**5W Car Charging Adapter for Portable Electronics
CLA05D is Compliant with US and EU Vehicle Standards**



Features

- High Efficiency
- Robust Design
- Compliant with EU Vehicle Standards
- Battery Charging

Applications

- Portable Electronics
- Mobile Phones

Safety Approvals

- CE
- cUL/UL
- C-Tick
- E-mark

Mechanical Characteristics

- Length: 85.28mm (3.36in)
- Diameter (at tip): 19.3mm (0.76in)
- Diameter (at cord): 30.48mm (1.2in)
- Weight: 81.7g (2.88oz)

Output Specifications

Model	DC Output Voltage	Load		Ripple P-P (max.)
		Min.	Max.	
CLA05D-050A-R	5.0V	0A	1.0A	100mVp-p

Phihong is not responsible for any error, and reserves the right to make changes without notice. Please visit our website at www.phihong.com for the most up-to-date specifications and contact information.

Input:

AC Input Voltage Range

10 to 30V DC (12 Volts Nominal)

Input Current

≤20mA at no load (12V Input)

≤0.65A at no load (10V Input)

≤0.27A at no load (30V Input)

Output:

Output Power

5W

Efficiency

75% minimum at maximum load and 12V

Rise time:

<30mSec.

Input Over-Voltage

Fuse will blow with no damage to unit

Output Over-Voltage

By Zener clamping

Reverse Polarity Protection

Fuse will blow with no damage to unit

Short-Circuit Protection

Current limiting without damage to unit

Environmental:

Temperature

Operation -20 to 60°C

Non-operation -40 to 80°C

Operating Humidity 0 to 95%

MTBF

100K Hours Minimum at full load and ambient 25°C

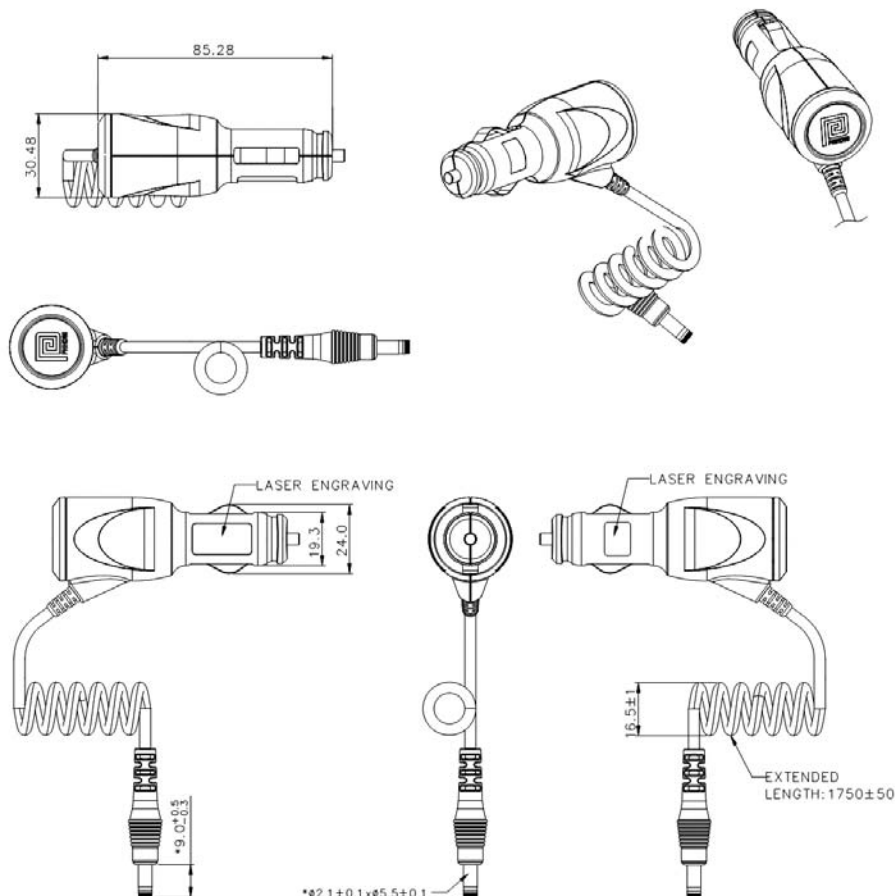
DC Output Connector

2.1mm x 5.5mm x 9mm Center Positive Barrel

DC Cord

1.75 Meters (extended)

Dimension Diagram Unit: mm



X-ON Electronics

Largest Supplier of Electrical and Electronic Components

Click to view similar products for [Isolated DC/DC Converters](#) category:

Click to view products by [Phihong](#) manufacturer:

Other Similar products are found below :

[ESM6D044440C05AAQ](#) [FMD15.24G](#) [PSL486-7LR](#) [Q48T30020-NBB0](#) [JAHW100Y1](#) [SPB05C-12](#) [SQ24S15033-PS0S](#) [19-130041](#) [CE-1003](#)
[CE-1004](#) [GQ2541-7R](#) [RDS180245](#) [MAU228](#) [DFC15U48D15](#) [XGS-0512](#) [XGS-1205](#) [XGS-1212](#) [XGS-2412](#) [XGS-2415](#) [XKS-1215](#) [06322](#)
[NCT1000N040R050B](#) [SPB05B-15](#) [SPB05C-15](#) [L-DA20](#) [DCG40-5G](#) [QME48T40033-PGB0](#) [XKS-2415](#) [XKS-2412](#) [XKS-2405](#) [XKS-1212](#)
[XKS-1205](#) [XKS-0515](#) [XKS-0505](#) [XGS-2405](#) [XGS-1215](#) [XGS-0515](#) [PS9Z-6RM4](#) [73-551-5038I](#) [AK1601-9RT](#) [VI-R5022-EXWW](#) [PSC128-](#)
[7iR](#) [RPS8-350ATX-XE](#) [DAS1004812](#) [VI-LJ11-iz](#) [PQA30-D24-S24-DH](#) [VI-M5F-CQ](#) [VI-LN2-EW](#) [VI-PJW01-CZY](#) [CK2540-9ERT](#)