



10W Single Port Micro USB Car Charger

CLM10D-050X-R Series

● 5V/2A ● DC Plug ● Wire ● Black



The 10W micro USB car chargers is the latest offering from a world leader in charging adapter technology and manufacturing - Pihong Technology. The micro USB car chargers guarantees full output power for reliable charging, they come with an attached coil cable and micro USB connector, so you do not need an additional micro USB cable. It is compatible with most GPS, tablet, phones or USB based devices on the market. Pihong 10W micro USB car charger is definitely the top choice for your reliable car charging needs.

Features :

Efficiency	80% min @ Max Load & DC 12 Vin @25°C
Protection	OVP, OCP, Reverse Polarity Protection
Turn-On Delay Time	<100ms @ max load, 12Vdc
Rise Time	<50ms @ max load, 12Vdc
Fall Time	<25ms @ max load, 12Vdc
Dynamic Response	Rise rate = 0.1A/us, Fall rate = 0.1A/us
	4.3~5.6V @ 12~24Vdc, 25°C
	(Load transient: 10% → 90%)
	T _{high} = 10mS, T _{low} = 10mS

Electrical Specifications :

Input Voltage	10~30 Vdc min/max
Input Current	1.4A Max @ 10 Vdc input
Output Voltage	5V
Output Current	2A
Maximum Output Power	10W continuous
Output Ripple & Noise	100mV (pk-pk) @25°C
Tolerance	4.89V~5.4V

Environmental Specifications :

Operating Temperature	-20°C ~ +60°C
Storage Temperature	-40°C ~ +85°C
Humidity	0% ~ 95%
MTBF	100K Hrs. min. @ Full load, 25°C

Safety and Compliance :

UL60950-1 approved
EN55022 class B, FCC class B ; EN55024 A1:2001/A2:2003
EN61000-3-2:2000 ; EN61000-3-3:1995/A1:2001
IEC61000-4-2:2001
IEC61000-4-5:2001
IEC61000-4-3:2002/A1:2002
IEC61000-4-4 Ed2/2004
IEC61000-4-6 Ed2.1/2004
IEC 61000-4-8:2001 ; IEC61000-4-11 Ed2/2004

Note:

- Measurements shall be made with an oscilloscope with 20MHz bandwidth. Output shall be bypassed at a connector with a 0.1uF ceramic capacitor and a 10uF low ESR electrolytic capacitor.
 - Efficiency: Measure efficiency after 30 minutes start up.
- *X=(A) (A)= Micro USB connector



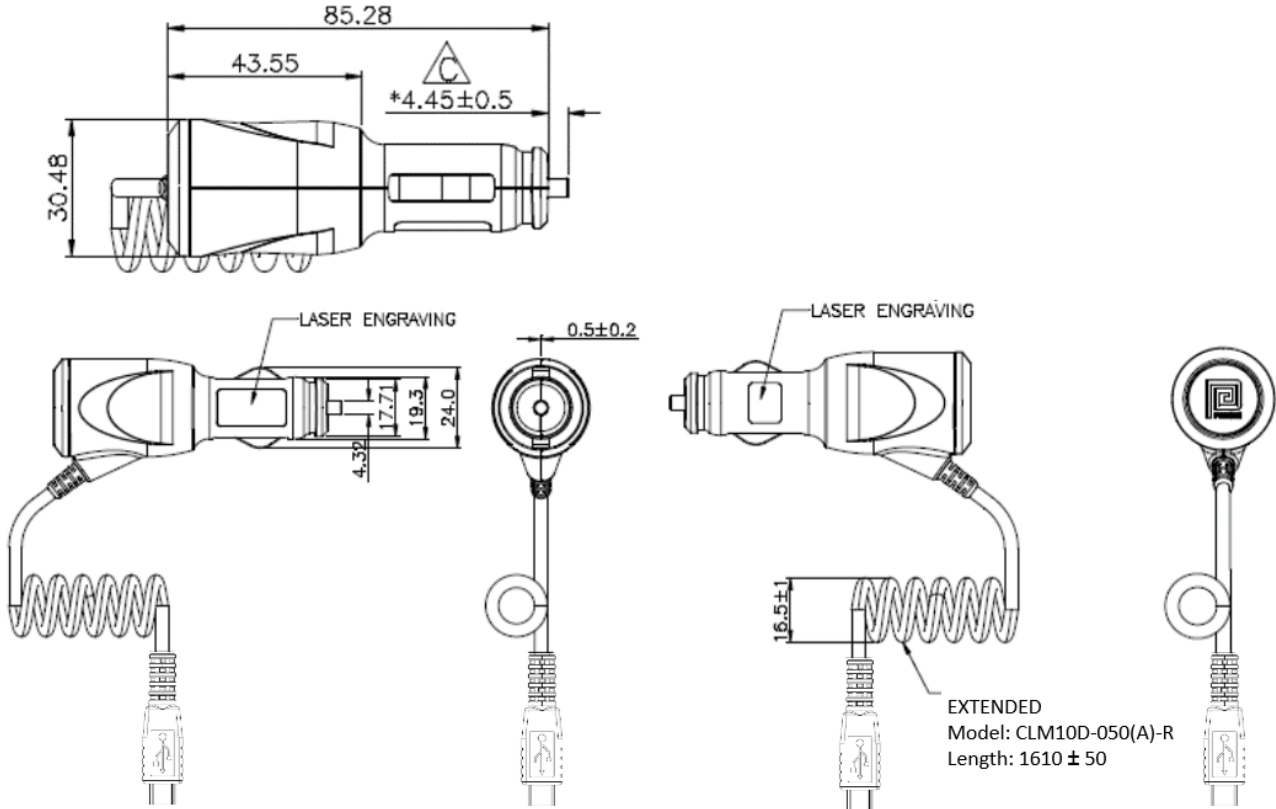
10W Single Port Micro USB Car Charger

CLM10D-050X-R Series

●5V/2A ●DC Plug ●Wire ●Black



Dimensions: mm



Model Selections

Model Number	Wire Length	Output Voltage (Vdc)	Output Current (A $\pm 5\%$)	Max. Output Power (W)
CLM10D-050(A)-R	1610 ± 50	5	2	10

Headquarters

No. 568, Fusing 3rd Rd.,
Gueishan District, Taoyuan
City, 333, Taiwan, R.O.C.
Tel: +886-3-3277288
Fax: +886-3-3185999
phsales@phihong.com.tw
www.phihong.com.tw

Phihong USA

47800 Fremont Blvd.
Fremont, CA 94538, USA
Tel: +1-510-445-0100
Fax: +1-510-445-1678
usasales@phihongusa.com
www.phihong.com

Phihong China

Science & Technology Rd.,
Silver Lake Industrial Area
Qingxi Town, Dong Guan City,
Guang Dong (523648), China
Tel: +86-769-87319026
Fax: +86-769-87317106
phsales@phihong.com.tw

Phihong Japan

〒135-0016 東京都江東区東陽
3丁目23番24号 VORT 東陽町
ビル5階
TEL : +81-3-5677-1678
FAX : +81-3-5634-5255
phsales@phihong.com.tw
www.phihong.co.jp

Phihong Europe

Wattstraat 50, 2171 TR
Sassenheim, The Netherlands
Tel: +31-(0)-252-225910
Fax: +31-(0)-252-218764
sales@phihongeu.com
www.phihong-lighting.com



PHIHONG TECHNOLOGY CO., LTD.

- +886-3-3277288
- www.phihong.com.tw
- phsales@phihong.com.tw

X-ON Electronics

Largest Supplier of Electrical and Electronic Components

Click to view similar products for [Isolated DC/DC Converters](#) category:

Click to view products by [Phihong](#) manufacturer:

Other Similar products are found below :

[ESM6D044440C05AAQ](#) [FMD15.24G](#) [PSL486-7LR](#) [Q48T30020-NBB0](#) [JAHW100Y1](#) [SPB05C-12](#) [SQ24S15033-PS0S](#) [19-130041](#) [CE-1003](#)
[CE-1004](#) [GQ2541-7R](#) [RDS180245](#) [MAU228](#) [DFC15U48D15](#) [XGS-0512](#) [XGS-1205](#) [XGS-1212](#) [XGS-2412](#) [XGS-2415](#) [XKS-1215](#) [06322](#)
[NCT1000N040R050B](#) [SPB05B-15](#) [SPB05C-15](#) [L-DA20](#) [DCG40-5G](#) [QME48T40033-PGB0](#) [XKS-2415](#) [XKS-2412](#) [XKS-2405](#) [XKS-1212](#)
[XKS-1205](#) [XKS-0515](#) [XKS-0505](#) [XGS-2405](#) [XGS-1215](#) [XGS-0515](#) [PS9Z-6RM4](#) [73-551-5038I](#) [AK1601-9RT](#) [VI-R5022-EXWW](#) [PSC128-](#)
[7iR](#) [RPS8-350ATX-XE](#) [DAS1004812](#) [VI-LJ11-iz](#) [PQA30-D24-S24-DH](#) [VI-M5F-CQ](#) [VI-LN2-EW](#) [VI-PJW01-CZY](#) [CK2540-9ERT](#)