



**6W LED Driver with 700mA Constant Current  
PDA006B LED Power Supply**



**Features**

- Low Profile Design
- OVP, OCP, Over-Load and Short-Circuit Protection
- Power Factor Correction
- Brownout/Brownout Recovery
- Halogen Free
- IP20 Rating
- SELV Compliant
- UL 8750 Compliant
- Very Low Leakage
- Constant Current
- RoHS Compliant

**Applications**

- Indoor Lighting
- Architectural Lighting

**Safety Approvals**

- cUL/UL
- PSE

**Mechanical Characteristics**

- Length: 58mm (2.28in)
- Width: 35mm (1.38in)
- Height: 20.5mm (0.81in)
- Weight: 40g (1.41oz)

**Output Specifications**

Model	DC Output Voltage Range		Output Current Ripple	Output Current Range			Max Power
	Min.	Max.		Min.	Typ.	Max.	
PDA006B-700C-H	2.5V	7.5	<1A	650mA	700mA	750mA	5.6W

Phihong is not responsible for any error, and reserves the right to make changes without notice. Please visit our website at [www.phihong.com](http://www.phihong.com) for the most up-to-date specifications and contact information.

**INPUT:****AC Input Voltage**

90 to 132VAC

**Nominal AC Input Voltage**

100 to 127VAC

**Leakage Current**

&lt;0.5mA at 120VAC and maximum load

**Maximum Input Current**

≤100mA at full load, 90VAC

**AC Inrush Current**

≤20A at 120VAC and maximum load

**OUTPUT:****Total Output Power**

5.6W maximum

**Efficiency**

≥70% at nominal input voltage, full load

**Power Factor**

≥0.7 at nominal input voltage, full load

**Ripple**

&lt;1A

**Turn-on/Turn off delay Time**

0.5 seconds maximum

**ENVIRONMENTAL:**

Operating Temperature -20 to +50°C

Storage Temperature -20 to +70°C

Operating Humidity 10 to 95%

Storage Humidity 05 to 95%

**Warranty**

3 Years

**Lifespan**

20K Hours minimum at max load and ambient 50°C

**EMC**

EN55015, FCC 47 Part 18, EN55022 Class B

**Immunity**

EN61000-4-2

EN61000-4-5

EN61000-3-2 Class C

EN61000-3-3

**Isolation Test**

Primary to Secondary: 3000VAC, &lt;5mA, 1 minute

**Insulation Resistance**

Primary to Secondary: 500VDC, &gt;5M ohm, 1 minute

**FEATURES:****Input Current Protection**

The input power line will be fused with a 1W/3.9Ohm fuse resistor

**Short Circuit**

Auto restart without damage

**Output Overvoltage Protection**

Output should not exceed 12V, auto shut down

**Open Circuit Protection**

Once the circuit is opened, the output voltage should be less than 12V at nominal AC input conditions

**Input / Output Connection**

2-pin terminal block

Position	Terminal Color
Line	Brown
Neutral	Blue
Vout+	Red
Vout-	Black

**Input / Output Wires**

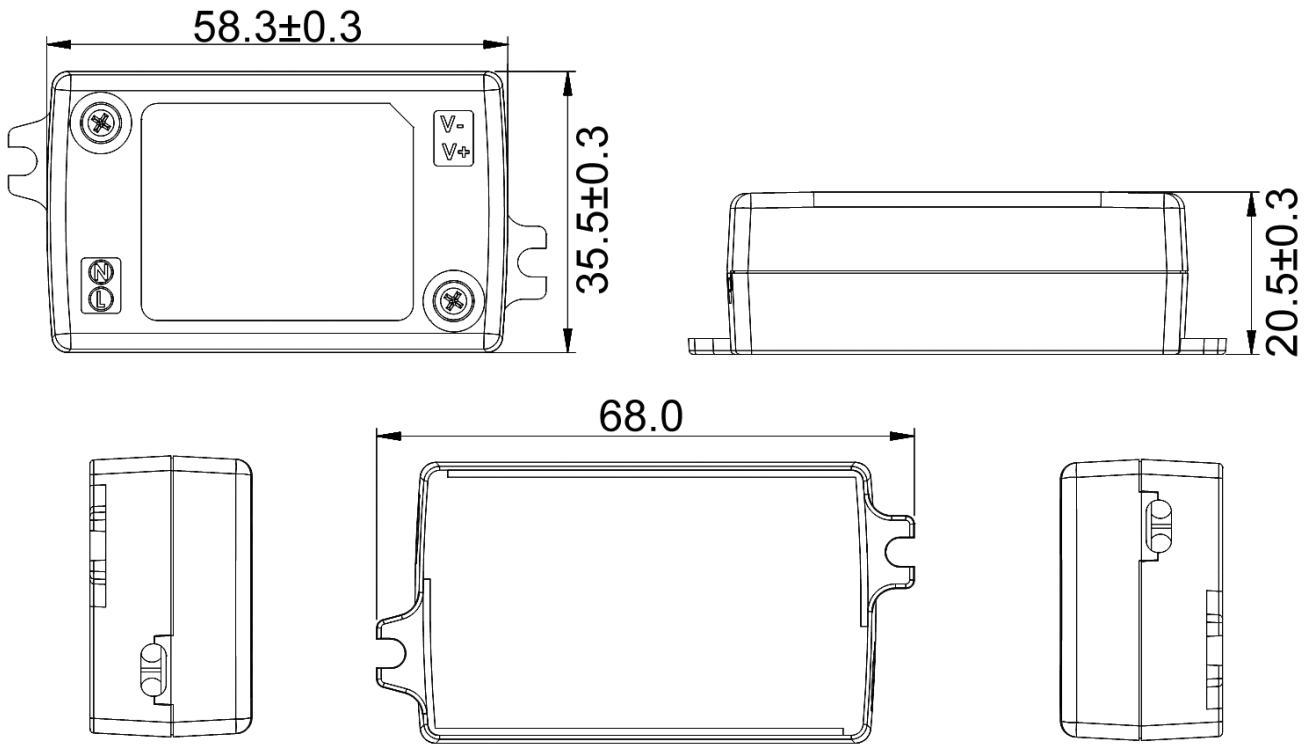
16~18AWG solid or stranded wires

**Ingression Protection**

IP20; plastic housing

**Mounting Provision**

Screw mounting, accessible without opening unit



## X-ON Electronics

Largest Supplier of Electrical and Electronic Components

*Click to view similar products for [LED Power Supplies](#) category:*

*Click to view products by [Phihong](#) manufacturer:*

Other Similar products are found below :

[ESS015W-1000-12](#) [PDA-WIFI](#) [PIFC-K250F](#) [PITB-K222A](#) [ALD-514012PJ134](#) [LB240S24KH](#) [LMH020-SPLC-0000-0000001](#) [LMD600-0100-C1A7-7030000](#) [79534](#) [79535](#) [EUG-200S210DT](#) [ESS030W-1050-21](#) [ESS030W-0900-32](#) [BPOXL 4-12-035](#) [ESS010W-0350-24](#) [ESM060W-1400-42](#) [PDA080B-1A0G](#) [PDA150B-S1A5G](#) [ZPS-20](#) [SLM140W-1.05-130-ZA](#) [ESS015W-0700-18](#) [EUD-150S350DVA](#) [LWA320-C420-ARK-B](#) [HVG-240-48AB](#) [HVG-320-36AB](#) [HVG-320-54AB](#) [ELG-240-C1400AB](#) [EUK-150S105DV](#) [BXCS-12Z-N2P-B1-A](#) [BXPR-WN-01-A](#) [LN1224CV](#) [BXCS-12W-N2P-01-A](#) [HBG-160-24AB](#) [980100001200394](#) [980060001200376](#) [LC 14W 250-350MA FLEXC R ADV2](#) [LC 24W 500-600MA FLEXC R ADV2](#) [LC 36W 850-900MA FLEXC R ADV2](#) [LC 18W 24V ONE4ALL SC PRE](#) [LC 50W 200-350ML 170V FLEXC LP SNC4](#) [LC 25W 200-350ML 70V FLEXC LP SNC4](#) [LCBI 10W 350MA PHASE-CUT/1-10V LP](#) [LC 13W 300MA FIXC C SNC](#) [LC 10W 250MA FIXC SC SNC2](#) [LC 35W 800MA FIXC SR ADV2](#) [LC 38W 900MA FIXC SR ADV2](#) [LC 34W 800MA FIXC SC ADV2](#) [LC 44W 1050MA FIXC SC ADV2](#) [LC 38W 900MA 42V FIXC SRL ADV2](#) [PWM-40-36](#)