



**10W LED Driver with 700mA Constant Current  
PDA010B LED Power Supply for Indoor Lighting**



**Features**

- Constant Current
- OVP, OCP, Short/Open Circuit Protection
- IP20 Rating
- UL8750 Compliant
- SELV Compliant
- Brownout/Brownout Recovery
- Low Profile Design

**Applications**

- Indoor Lighting
- Architectural Lighting

**Safety Approvals**

- cUL/UL
- PSE

**Mechanical Characteristics**

- Length: 106mm (4.17in)
- Width: 40mm (1.57in)
- Height: 21mm (0.83in)
- Weight: 85g (3oz)

**Output Specifications**

Model	DC Output Voltage Range			Output Current Range			Max Power
	Min.	Typ.	Max.	Min.	Typ.	Max.	
PDA010B-700C	7.5V	-	12V	650mA	700mA	750mA	9W

Phihong is not responsible for any error, and reserves the right to make changes without notice. Please visit our website at [www.phihong.com](http://www.phihong.com) for the most up-to-date specifications and contact information.

**INPUT:****AC Input Voltage**

90 to 132VAC

**Nominal AC Input Voltage**

100 to 127VAC

**Leakage Current**

0.5mA maximum at 110VAC

**Maximum Input Current**

≤160mA at 100VAC

**OUTPUT:****Total Output Power**

9W absolute maximum

**Efficiency**

70% minimum at full load, nominal AC input

**Power Factor**

≥0.95 at full load, nominal AC input

**Ripple**

&lt;1A

**Turn-on/off Delay Time**

0.5ms maximum at nominal AC power on

**ENVIRONMENTAL:**

Operating Temperature -20 to +50°C

Storage Temperature -40 to +85°C

Operating Humidity 10 to 95%

Storage Humidity 05 to 95%

**Warranty**

3 Years

**Ingression Protection**

IP20

**EMC**

EN55015, FCC 47 Part 15, EN55022 Class B

**Immunity**

IEC61000-4-2

IEC61000-4-5

IEC61000-3-2 Class C

IEC61000-3-3

**Isolation Test (HI-POT)**

Primary to secondary: 3750VAC for 1 minute, 10mA

**Insulation Resistance**

Primary to secondary: &gt;5M OHM 500VDC, 1 minute

**FEATURES:****Input Over Current Protection**

The input power line will be fused with a 1.6A fuse

**Short Circuit Protection**

The Driver will withstand a short circuit across the outputs without damage

**Output Over Voltage Protection**

The output shall be protected (latched) from over voltage

**Open Circuit Protection**

Once the circuit is opened, the output voltage should be less than 14.4V at nominal AC input conditions.

**Lifetime**

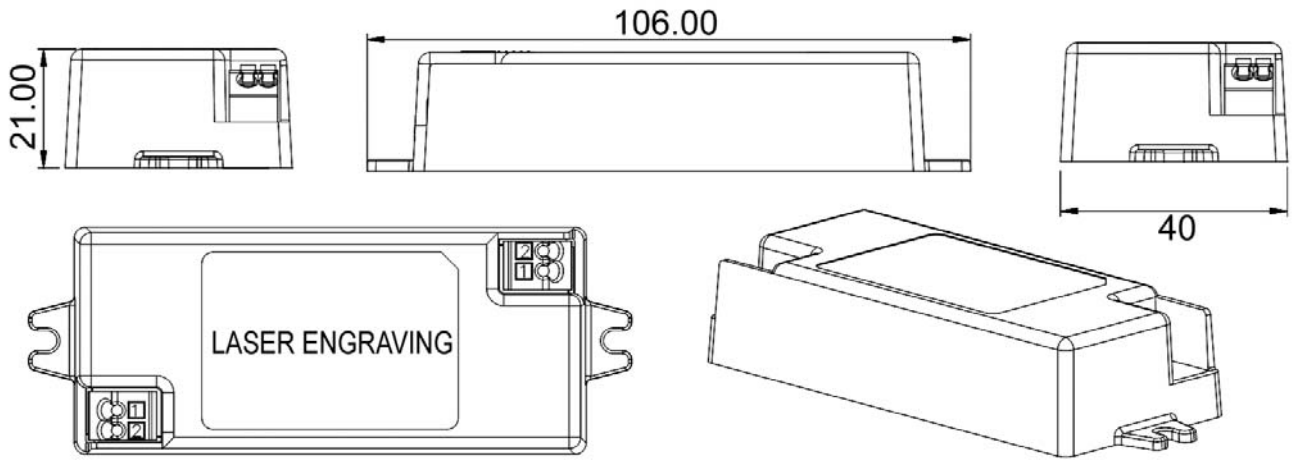
20K Hours minimum

**Input / Output Connection**

2-pin terminal block

**Input / Output Wires (Solid or Stranded)**

Position	Terminal Color	Specification
Line	Brown	AWG10~24
Neutral	Blue	AWG10~24
Vout+	Red	AWG10~24
Vout-	Black	AWG10~24



## X-ON Electronics

Largest Supplier of Electrical and Electronic Components

*Click to view similar products for [LED Power Supplies](#) category:*

*Click to view products by [Phihong](#) manufacturer:*

Other Similar products are found below :

[ESS015W-1000-12](#) [PDA-WIFI](#) [PIFC-K250F](#) [PITB-K222A](#) [ALD-514012PJ134](#) [LB240S24KH](#) [LMH020-SPLC-0000-0000001](#) [LMD600-0100-C1A7-7030000](#) [79534](#) [79535](#) [EUG-200S210DT](#) [ESS030W-1050-21](#) [ESS030W-0900-32](#) [BPOXL 4-12-035](#) [ESS010W-0350-24](#) [ESM060W-1400-42](#) [PDA080B-1A0G](#) [PDA150B-S1A5G](#) [ZPS-20](#) [SLM140W-1.05-130-ZA](#) [ESS015W-0700-18](#) [EUD-150S350DVA](#) [LWA320-C420-ARK-B](#) [HVG-240-48AB](#) [HVG-320-36AB](#) [HVG-320-54AB](#) [ELG-240-C1400AB](#) [EUK-150S105DV](#) [LN1224CV](#) [HBG-160-24AB](#) [980100001200394](#) [980060001200376](#) [LC 14W 250-350MA FLEXC R ADV2](#) [LC 24W 500-600MA FLEXC R ADV2](#) [LC 36W 850-900MA FLEXC R ADV2](#) [LC 18W 24V ONE4ALL SC PRE](#) [LC 50W 200-350ML 170V FLEXC LP SNC4](#) [LC 25W 200-350ML 70V FLEXC LP SNC4](#) [LCBI 10W 350MA PHASE-CUT/1-10V LP](#) [LC 13W 300MA FIXC C SNC](#) [LC 10W 250MA FIXC SC SNC2](#) [LC 35W 800MA FIXC SR ADV2](#) [LC 38W 900MA FIXC SR ADV2](#) [LC 34W 800MA FIXC SC ADV2](#) [LC 44W 1050MA FIXC SC ADV2](#) [LC 38W 900MA 42V FIXC SRL ADV2](#) [PWM-40-36](#) [PWM-60-36](#) [LUD-060S150BSF](#) [ESS010W-0750-12](#)