



**12W Adapter Style Constant Current LED Driver
PDA012A Wall Plug LED Power Supply**



Features

- Low Profile Design
- OVP, IOCP, Over-Load and Short-Circuit Protection
- Power Factor Correction
- Low Cost Fixed Wall Plug
- IP20 Rating
- SELV Compliant
- UL 8750 Compliant
- Very Low Leakage
- Class 2 Output

Applications

- Indoor Lighting
- Floor Lamps

Safety Approvals (PENDING)

- cUL/UL

Mechanical Characteristics

- Length: 71.5mm (2.81in)
- Width: 33.75mm (1.33in)
- Height: 46mm (1.81in)
- Weight: 85g (3.00oz)

Output Specifications

Model	DC Output Voltage			Output Current	Output Power
	Min.	Typ.	Max.		
PDA012A-350S-R	17V	-	34V	350mA	12W
PDA012A-700S-R	9V	-	17V	700mA	12W
PDA012A-1A0S-R	6V	-	12V	1000mA	12W
PDA012A-1A5S-R	6V	-	8V	1500mA	12W

Phihong is not responsible for any error, and reserves the right to make changes without notice. Please visit our website at www.phihong.com for the most up-to-date specifications and contact information.

INPUT:

AC Input Voltage
90 to 132VAC

Nominal AC Input Voltage
110 to 120VAC

Leakage Current
<0.25mA at 110VAC and maximum load

Maximum Input Current
≤500mA at full load, 120VAC

No-Load Power Draw
<300mW at 115VAC, 60Hz

OUTPUT:

Total Output Power
6W maximum

Efficiency
≥77% at nominal input voltage, full load
Meets requirements for Level V efficiency marking

Power Factor
≥0.9 at nominal input voltage, full load

ENVIRONMENTAL:

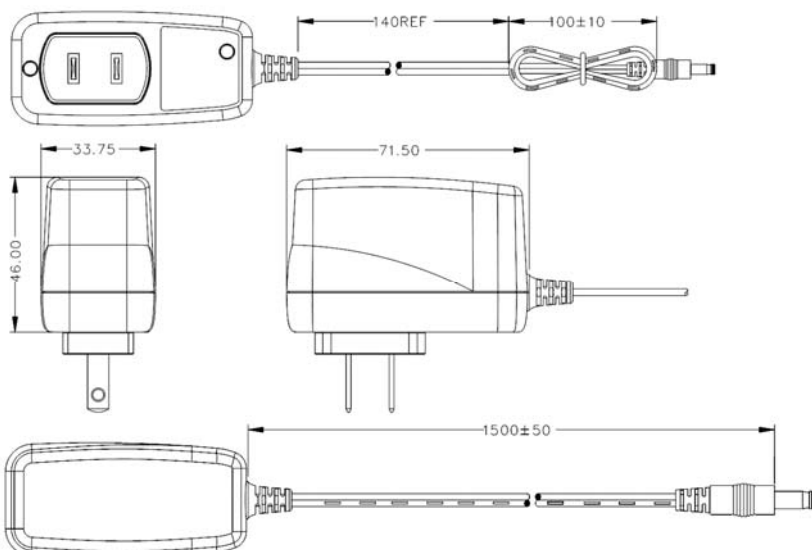
Operating Temperature 0 to +40°C
Storage Temperature -40 to +85°C

Operating Humidity 10 to 95%

Ingression Protection

IP20; plastic housing

Dimension Diagram Unit:mm



EMC

FCC Part 15 Class B

Immunity

EN61000-4-2
EN61000-4-4
EN61000-4-5
EN61000-4-11

Isolation Test

Primary to Secondary: 3000VAC, <10mA, 1 minute

Insulation Resistance

Primary to Secondary: 500VDC, >5M ohm, 1 minute

FEATURES:

Input Current Protection

The input power line will be fused with a 2A/250V time-lag fuse

Short Circuit

Auto restart without damage

Output Overvoltage Protection

Output should not exceed voltage limits, auto shut down

AC Input

Fixed Blade (North America)

DC Output

2.1mm x 5.5mm x 9.5mm center positive barrel

Lifespan

20K Hours minimum at max load

X-ON Electronics

Largest Supplier of Electrical and Electronic Components

Click to view similar products for [LED Power Supplies](#) category:

Click to view products by [Phihong](#) manufacturer:

Other Similar products are found below :

[ESS015W-1000-12](#) [EUC-075S105DT](#) [PDA-WIFI](#) [PIFC-K250F](#) [PITB-K222A](#) [ALD-514012PJ134](#) [LB240S24KH](#) [LMH020-SPLC-0000-0000001](#) [LMD600-0100-C1A7-7030000](#) [79534](#) [79535](#) [EUG-200S210DT](#) [ESS030W-1050-21](#) [ESS030W-0900-32](#) [BPOXL 4-12-035](#) [SLM160W-3.9-40-ZA](#) [ESS010W-0180-42](#) [ESS010W-0350-24](#) [ESS010W-0200-42](#) [PDA080B-1A0G](#) [ESS010W-0500-12](#) [PDA150B-S1A5G](#) [ZPS-20](#) [SLM140W-1.05-130-ZA](#) [ESS040W-1400-27](#) [ESS015W-0700-18](#) [ESS010E-0250-42](#) [EVM120W-2700-42-ECN2](#) [EDC-100S105SV-0007](#) [79278](#) [EUD-150S350DVA](#) [LWA320-C420-ARK-B](#) [50304](#) [OT FIT 50/220-240/300 D L](#) [OT FIT 35/220-240/350 D CS L](#) [OT FIT 65/220-240/350 D CS L](#) [ELEMENT 30/220-240/700 S](#) [LC 75W 100-400MA 1-10V LP EXC](#) [LCA 35W 150-700MA ONE4ALL LP PRE](#) [LCA 50W 100-400MA ONE4ALL LP PRE](#) [LCA 50W 350-1050MA ONE4ALL LP PRE](#) [LCA 50W 350-1050MA 2XCH LP PRE](#) [LCI 150/325-1050/300 O4A SL PRE](#) [LCA 75W 100-400MA ONE4ALL LP PRE](#) [LCA 45W 500-1400MA ONE4ALL SC PRE](#) [LC 50W 100-400MA FLEXC LP EXC](#) [LC 50W 350-1050MA FLEXC LP EXC](#) [LC 75W 350-1050MA FLEXC LP EXC](#) [LCA 75W 900-1800MA ONE4ALL LP PRE](#) [LCA 100W 250-700MA ONE4ALL LP PRE](#)