



15W Constant Current LED Driver PDA015B Power Supply for Indoor Lighting



Features

- UL8750 Compliant
- IP20 Rated
- Constant Current
- Brownout/Brownout Recovery
- SELV Compliant
- OVP, OCP, Short/Open Circuit Protection
- Power Factor Correction
- Wide Temperature Range

Applications

- Indoor Lighting
- Architectural Lighting

Safety Approvals

- cUL/UL
- PSE

Mechanical Characteristics

- Length: 132mm (5.2in)
- Width: 40mm (1.6in)
- Height: 21mm (0.8in)
- Weight: 120g (4.2oz)

Output Specifications

Model	DC Output Voltage Range			Output Current Range			Max Power
	Min.	Typ.	Max.	Min.	Typ.	Max.	
PDA015B-350C	17.5V	-	42V	300mA	350mA	400mA	16.8W

Phihong is not responsible for any error, and reserves the right to make changes without notice. Please visit our website at www.phihong.com for the most up-to-date specifications and contact information.

INPUT:

AC Input Voltage
90 to 132VAC

Nominal AC Input Voltage
100 to 127VAC

Leakage Current
0.5mA maximum

Maximum Input Current
≤0.3A at 100VAC

AC Inrush Current
≤20A at 120VAC, full load

OUTPUT:
Total Output Power
16.8W maximum

Efficiency
82% minimum

Power Factor
≥0.9 at full load, nominal AC input

Ripple
<1A

ENVIRONMENTAL:

Operating Temperature -20 to +50°C
Storage Temperature -40 to +85°C

Operating Humidity 10 to 95%
Storage Humidity 05 to 95%

Warranty
3 Years

Lifetime
20K hours minimum

EMC

EN55015, FCC 47 Part 18, EN55022 Class B

Immunity

IEC61000-4-2
IEC61000-4-5
IEC61000-3-2 Class C
IEC61000-3-3

Isolation Test

Primary to secondary: 3230VAC for 1 minute, 10mA

Insulation Resistance

Primary to secondary: >5M OHM 500VDC, 1 minute

FEATURES:

Input Current Protection

The input power line is fused with a 1.6A fuse

Short Circuit

Driver will withstand short circuit across outputs without damage

Output Overvoltage Protection

Output is protected (latched) from over voltage

Open Circuit Protection

If circuit is open, output will not be damaged at nominal AC input conditions

Input / Output Connection

2-pin terminal block

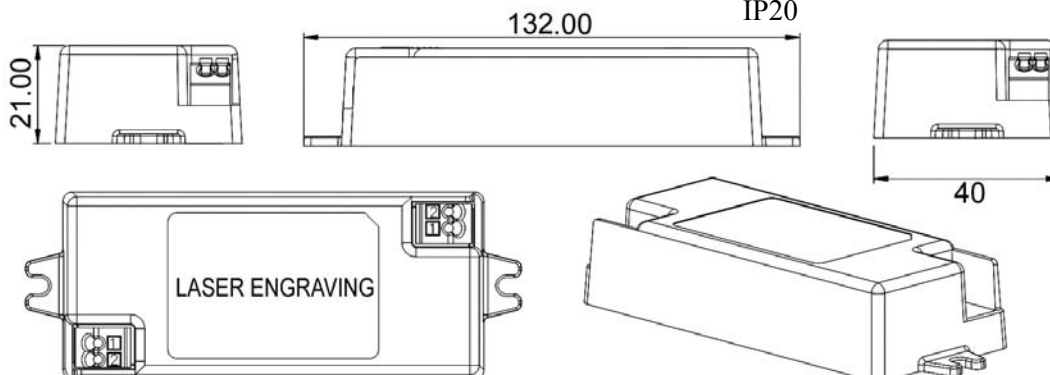
Input / Output Wires (Solid or Stranded)

Position	Terminal Color	Specification
Line	Brown	AWG16~18
Neutral	Blue	AWG16~18
Vout+	Red	AWG16~18
Vout-	Black	AWG16~18

Ingression Protection

IP20

Dimension Diagram Unit:mm



X-ON Electronics

Largest Supplier of Electrical and Electronic Components

Click to view similar products for [LED Power Supplies](#) category:

Click to view products by [Phihong](#) manufacturer:

Other Similar products are found below :

[ESS015W-1000-12](#) [PDA-WIFI](#) [PIFC-K250F](#) [PITB-K222A](#) [ALD-514012PJ134](#) [LB240S24KH](#) [LMH020-SPLC-0000-0000001](#) [LMD600-0100-C1A7-7030000](#) [79534](#) [79535](#) [EUG-200S210DT](#) [ESS030W-1050-21](#) [ESS030W-0900-32](#) [BPOXL 4-12-035](#) [ESS010W-0350-24](#) [ESM060W-1400-42](#) [PDA080B-1A0G](#) [PDA150B-S1A5G](#) [ZPS-20](#) [SLM140W-1.05-130-ZA](#) [ESS015W-0700-18](#) [EUD-150S350DVA](#) [LWA320-C420-ARK-B](#) [HVG-240-48AB](#) [HVG-320-36AB](#) [HVG-320-54AB](#) [ELG-240-C1400AB](#) [EUK-150S105DV](#) [BXCS-12Z-N2P-B1-A](#) [BXPR-WN-01-A](#) [LN1224CV](#) [BXCS-12W-N2P-01-A](#) [HBG-160-24AB](#) [980100001200394](#) [980060001200376](#) [LC 14W 250-350MA FLEXC R ADV2](#) [LC 24W 500-600MA FLEXC R ADV2](#) [LC 36W 850-900MA FLEXC R ADV2](#) [LC 18W 24V ONE4ALL SC PRE](#) [LC 50W 200-350ML 170V FLEXC LP SNC4](#) [LC 25W 200-350ML 70V FLEXC LP SNC4](#) [LCBI 10W 350MA PHASE-CUT/1-10V LP](#) [LC 13W 300MA FIXC C SNC](#) [LC 10W 250MA FIXC SC SNC2](#) [LC 35W 800MA FIXC SR ADV2](#) [LC 38W 900MA FIXC SR ADV2](#) [LC 34W 800MA FIXC SC ADV2](#) [LC 44W 1050MA FIXC SC ADV2](#) [LC 38W 900MA 42V FIXC SRL ADV2](#) [PWM-40-36](#)