



**25W Constant Current LED Driver
PDA025B LED Driver Non-Dimming**



Features

- OVP, OTP, OCP, Short/Open Circuit Protection & Brownout Protection
- SELV Compliant
- Class 2 Output per UL1310
- IP67
- Low Profile Design
- AC Input Voltage 90 to 305VAC
- ≥ 0.9 Power Factor Correction & THD <20%

Applications

- Indoor Lighting
- Architectural Lighting

Safety Approvals

- cUL/UL8750
- Class 2 Output per UL1310

Mechanical Characteristics

- Length: 80mm (3.15in)
- Width: 78mm (3.07in)
- Height: 25.4mm (1.00in)
- Weight: 220g (7.76oz)

Output Specifications

Model	Output Current	DC Output Voltage Range			Max Power
		Min.	Typ.	Max.	
PDA025B-450B	450mA	19V	-	56V	25W
PDA025B-700B	700mA	12V	-	36V	25W
PDA025B-1A0B	1040mA	8V	-	24V	25W
PDA025B-1A4B	1400mA	6V	-	18V	25W
PDA025B-1A8B	1750mA	5V	-	14V	25W
PDA025B-2A1B	2080mA	4V	-	12V	25W

Phihong is not responsible for any error, and reserves the right to make changes without notice. Please visit our website at www.phihong.com for the most up-to-date specifications and contact information.

INPUT:

AC Input Voltage
90 to 305VAC

Nominal AC Input Voltage
100 to 277VAC

Leakage Current
0.5mA maximum at 277VAC

Maximum Input Current
400mA (RMS) at 90VAC

Inrush Current
<15A at 230VAC, 60Hz

OUTPUT:

Output Power
25W

Efficiency

Model	Typical Efficiency
PDA025B-450B	84%
PDA025B-700B	84%
PDA025B-1A0B	83%
PDA025B-1A4B	82%
PDA025B-1A8B	82%
PDA025B-2A1B	81%

Power Factor

≥0.9 at full load, nominal AC input

THD

<20%

Turn-on/off Delay Time

1 second maximum at nominal AC power on

ENVIRONMENTAL:

Operating Temperature -40 to Tc +90°C
 Storage Temperature -40 to +85°C
 Operating Humidity 5 to 95%
 Storage Humidity 5 to 95%

EMC

FCC Part 15 Class B

Immunity

IEC61000-4-2
 IEC61000-4-4
 IEC61000-4-5
 IEC61000-4-11

Isolation Test (HI-POT)

Primary to secondary: 3000VAC for 1 minute, 10mA

Insulation Resistance

Primary to secondary: >5M OHM 500VDC, 1 minute

FEATURES:

Input Over Current Protection

The input power line will be fused with a 1.6A fuse

Short Circuit Protection

The Driver will withstand a short circuit across the outputs without damage

Open Circuit Protection

The Driver will withstand a open circuit across the outputs without damage

Output Over Voltage Protection

The driver will latch off or auto restart

Ingression Protection

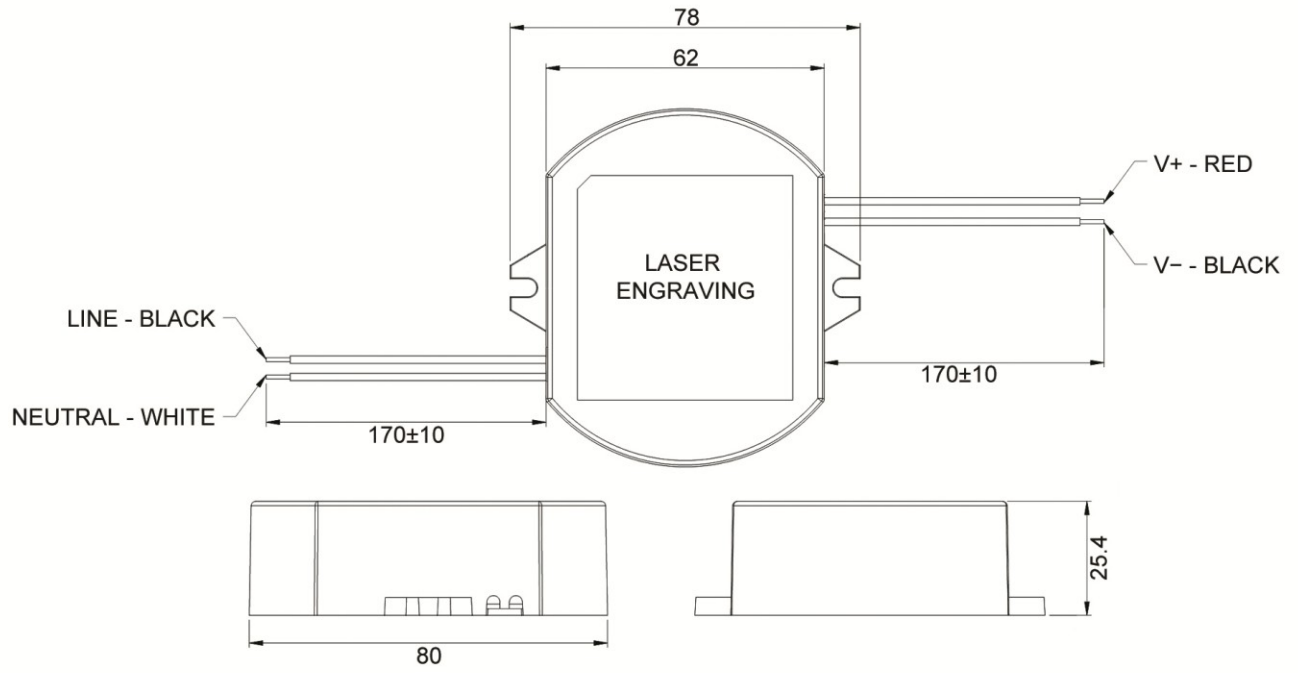
IP67

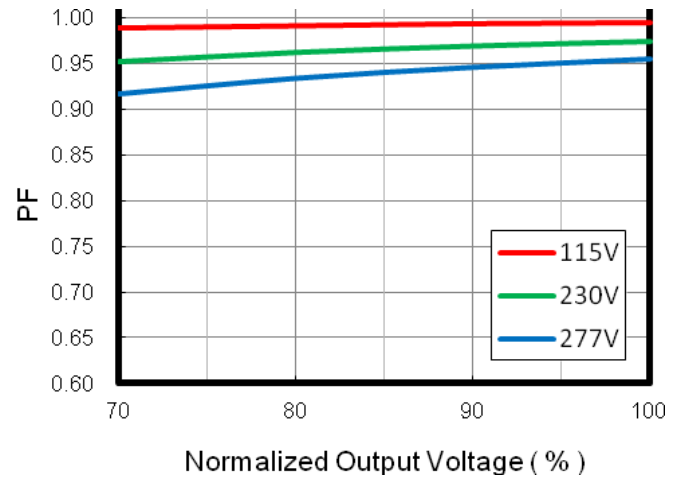
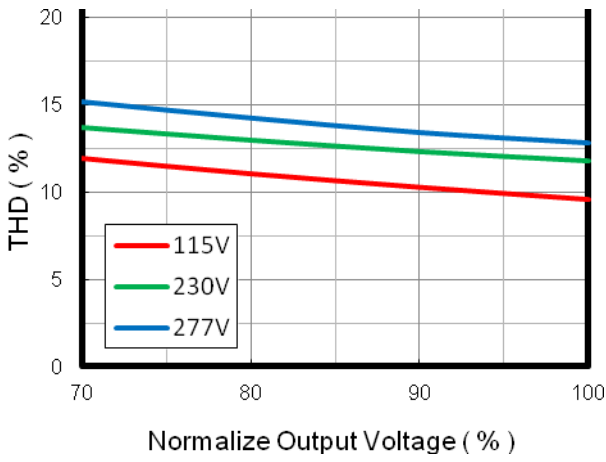
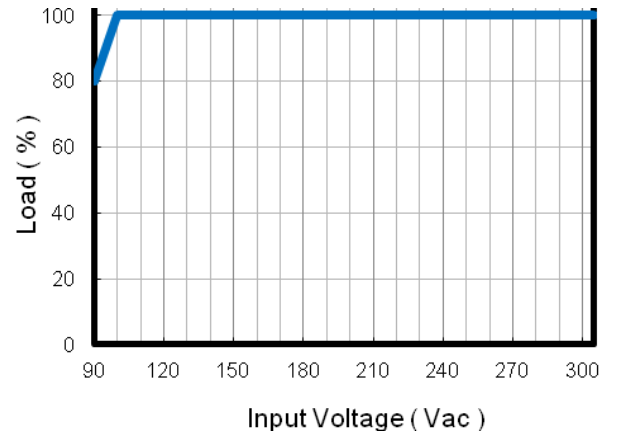
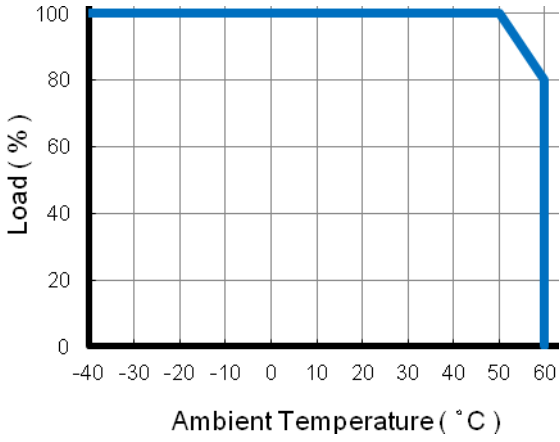
Input / Output Wires (Solid or Stranded)

Position	Terminal Color	Specification	Length
Line	Black	UL1015 AWG18	160mm
Neutral	White	UL1015 AWG18	160mm
Vout+	Red	UL1569 AWG18	160mm
Vout-	Blue	UL1569 AWG18	160mm

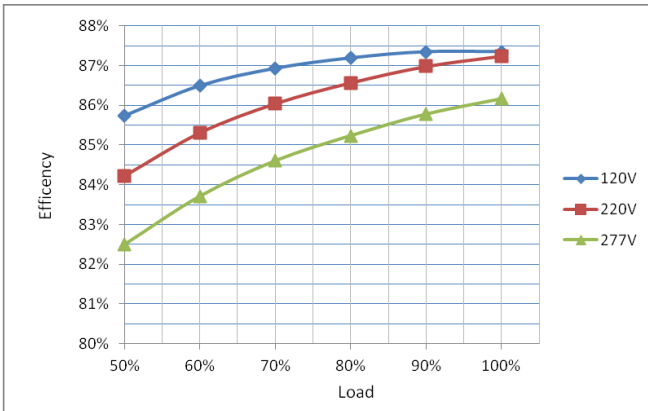
Warranty

5 Years





Efficiency vs. Load for PDA025B-700B



X-ON Electronics

Largest Supplier of Electrical and Electronic Components

Click to view similar products for [LED Power Supplies](#) category:

Click to view products by [Phihong](#) manufacturer:

Other Similar products are found below :

[ESS015W-1000-12](#) [PDA-WIFI](#) [PIFC-K250F](#) [PITB-K222A](#) [ALD-514012PJ134](#) [LB240S24KH](#) [LMH020-SPLC-0000-0000001](#) [LMD600-0100-C1A7-7030000](#) [79534](#) [79535](#) [EUG-200S210DT](#) [ESS030W-1050-21](#) [ESS030W-0900-32](#) [BPOXL 4-12-035](#) [ESS010W-0350-24](#) [ESM060W-1400-42](#) [PDA080B-1A0G](#) [PDA150B-S1A5G](#) [ZPS-20](#) [SLM140W-1.05-130-ZA](#) [ESS015W-0700-18](#) [EUD-150S350DVA](#) [LWA320-C420-ARK-B](#) [HVG-240-48AB](#) [HVG-320-36AB](#) [HVG-320-54AB](#) [ELG-240-C1400AB](#) [EUK-150S105DV](#) [BXCS-12Z-N2P-B1-A](#) [BXPR-WN-01-A](#) [LN1224CV](#) [BXCS-12W-N2P-01-A](#) [HBG-160-24AB](#) [980100001200394](#) [980060001200376](#) [LC 14W 250-350MA FLEXC R ADV2](#) [LC 24W 500-600MA FLEXC R ADV2](#) [LC 36W 850-900MA FLEXC R ADV2](#) [LC 18W 24V ONE4ALL SC PRE](#) [LC 50W 200-350ML 170V FLEXC LP SNC4](#) [LC 25W 200-350ML 70V FLEXC LP SNC4](#) [LCBI 10W 350MA PHASE-CUT/1-10V LP](#) [LC 13W 300MA FIXC C SNC](#) [LC 10W 250MA FIXC SC SNC2](#) [LC 35W 800MA FIXC SR ADV2](#) [LC 38W 900MA FIXC SR ADV2](#) [LC 34W 800MA FIXC SC ADV2](#) [LC 44W 1050MA FIXC SC ADV2](#) [LC 38W 900MA 42V FIXC SRL ADV2](#) [PWM-40-36](#)