



**25W Triac Dimmable Constant Current LED Driver  
PDA025H Residential LED Driver**



**Features**

- OVP, OTP, Short/Open Circuit Protection
- Brownout Protection
- Class 2 Output per UL1310
- IP66 Rated
- $\geq 0.9$  Power Factor Correction & THD  $< 20\%$
- 108-132VAC Input Voltage Range

**Applications**

- Down Lights
- Area Lights
- Architectural lighting

**Safety Approvals**

- cUL/UL8750
- Class 2 Output per UL1310

**Mechanical Characteristics**

- Length: 80mm (in)
- Width: 78mm (3.07in)
- Height: 25.4mm (1in)
- Weight: 170g ( 6oz)

**Output Specifications**

Model	DC Output Voltage			Output Current	Output Power
	Min.	Typ.	Max.		
PDA025H-350A-H <sup>(1)</sup>	45V	-	72V	350mA	25W
PDA025H-520A-H	30V	-	48V	520mA	25W
PDA025H-700A-H	24V	-	36V	700mA	25W
PDA025H-1A0A-H	16V	-	24V	1050mA	25W

Notes (1): Non Class 2 Output per UL1310.

Phihong is not responsible for any error, and reserves the right to make changes without notice. Please visit our website at [www.phihong.com](http://www.phihong.com) for the most up-to-date specifications and contact information.

**INPUT:**

**AC Input Voltage Range**  
108~132VAC

**AC Input Voltage Rating**  
120VAC

**AC Input Frequency**  
47~63 Hz

**Maximum Input Current**  
≤ 0.5A

**Leakage Current**  
0.5mA maximum

**Power Factor**  
≥ 0.9

**THD**  
<20%

**OUTPUT:**  
**Output Current Ripple**  
≤30%

**Efficiency**

Model	Typical Efficiency
PDA025H-350A	84%
PDA025H-520A	83%
PDA025H-700A	83%
PDA025H-1A0A	82%

**Environmental:**

**Temperature**

Operation Tc            -20 to 90°C  
Non-operation         -40 to +85°C  
Operating Humidity    10 to 95%

**EMC**

FCC 55047 Part 15

**Immunity**

IEC61000-4-2  
IEC61000-4-5

**Dielectric Withstand (Hi-pot)**

Primary to secondary: 3000VAC for 1 minute, 10mA

**Over Temperature Protection**

Auto-recovery

**Short-Circuit Protection**

Auto Restart

**Output Over-voltage Protection**

Auto Recovery

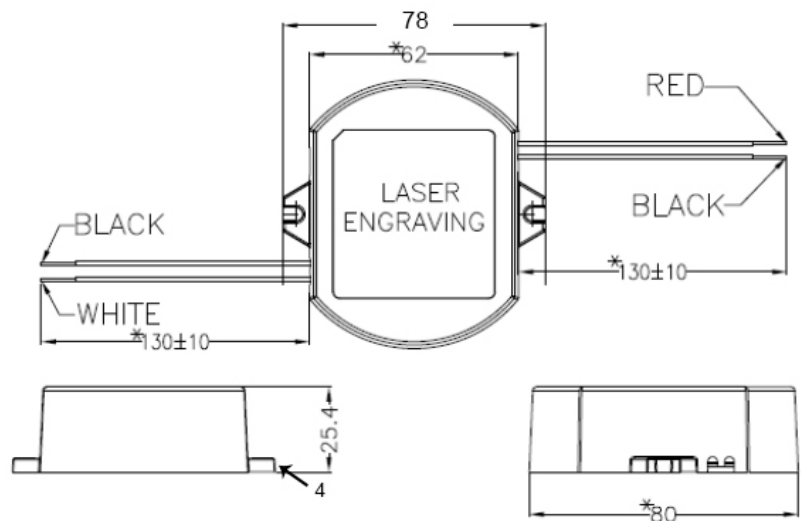
**Input / Output Connections**

Position	Terminal Color	Specification	Length
Input	Black	AWG18 Stranded Wire	170mm
	White	AWG18 Stranded Wire	170mm
Output	Red	AWG18 Stranded Wire	170mm
	Black	AWG18 Stranded Wire	170mm

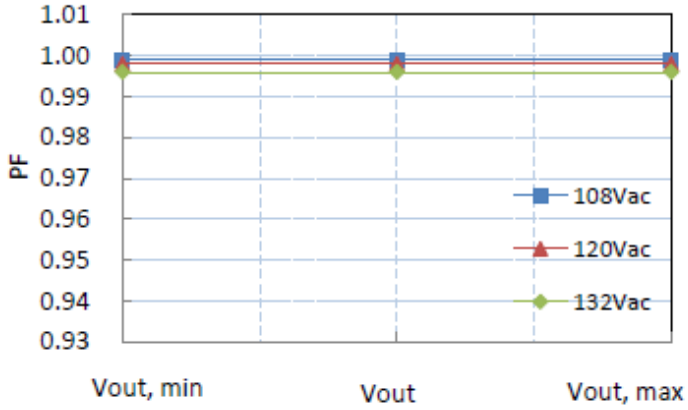
**Warranty**

3 years

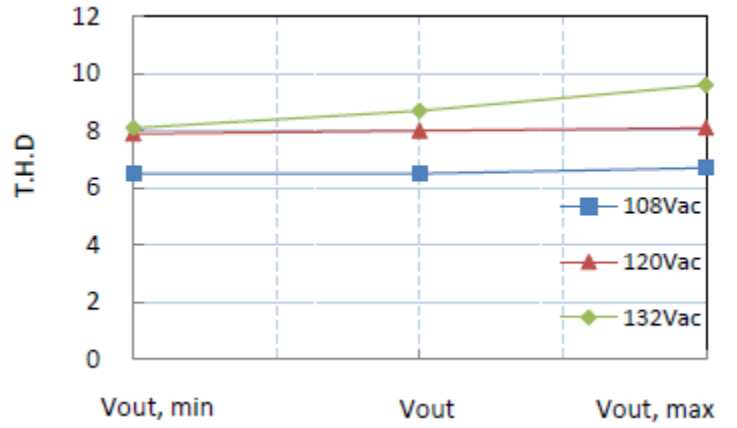
**Dimension Diagram unit: mm**



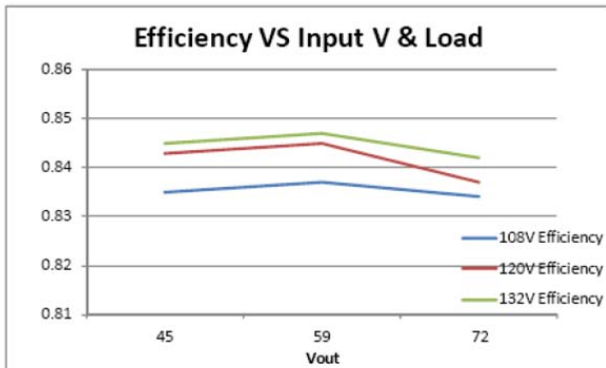
Power Factor vs. Load



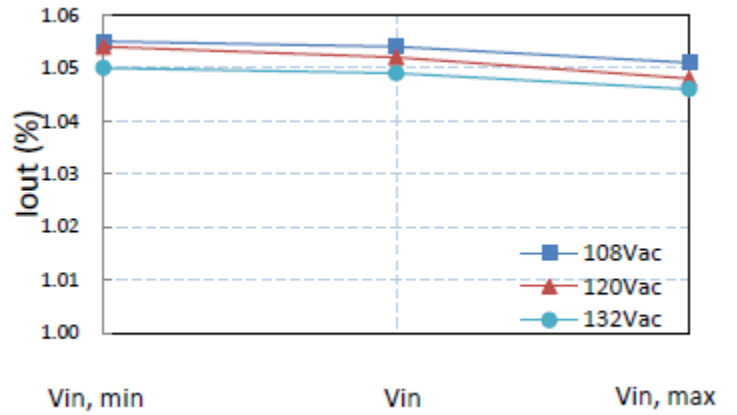
Total Harmonic Distortion vs. Load

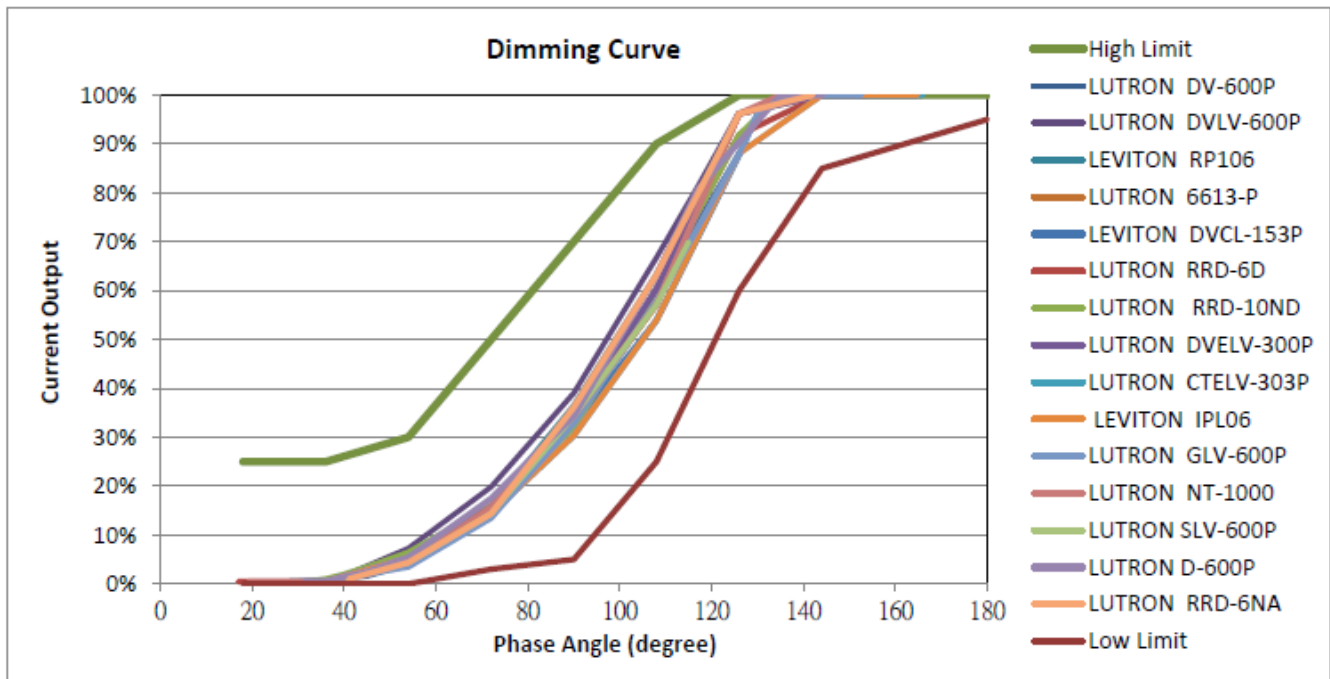


Efficiency vs. Load



Load (Vout) & Line (Vin) regulation





### Dimmer Compatibility List

Make	Dimmer Name	Series
LEVITON	RP106	ROTARY
LEVITON	IPL06	SLIDE
LUTRON	DVCL-153P	DIVA
LUTRON	CTELV-303P	SKYLARK CONTOUR
LUTRON	DVLV-600P	DIVA
LUTRON	NT-1000	NOVA T
LUTRON	D-600P	DIVA
LUTRON	RRD-6D	RADIO RA2
LUTRON	RRD-6NA	RADIO RA2
LUTRON	6613-P	SURESLIDE
LUTRON	GLV-600P	GLIDER
LUTRON	RRD-10ND	RADIO RA2
LUTRON	DVELV-300P	DIVA
LUTRON	DV-600P	DIVA
LUTRON	SLV600P	SKYLARK

The driver has been tested and is compatible with the above list of dimmers.

## X-ON Electronics

Largest Supplier of Electrical and Electronic Components

*Click to view similar products for [LED Power Supplies](#) category:*

*Click to view products by [Phihong](#) manufacturer:*

Other Similar products are found below :

[ESS015W-1000-12](#) [PDA-WIFI](#) [PIFC-K250F](#) [PITB-K222A](#) [ALD-514012PJ134](#) [LB240S24KH](#) [LMH020-SPLC-0000-0000001](#) [LMD600-0100-C1A7-7030000](#) [79534](#) [79535](#) [EUG-200S210DT](#) [ESS030W-1050-21](#) [ESS030W-0900-32](#) [BPOXL 4-12-035](#) [ESS010W-0350-24](#) [ESM060W-1400-42](#) [PDA080B-1A0G](#) [PDA150B-S1A5G](#) [ZPS-20](#) [SLM140W-1.05-130-ZA](#) [ESS015W-0700-18](#) [EUD-150S350DVA](#) [LWA320-C420-ARK-B](#) [HVG-240-48AB](#) [HVG-320-36AB](#) [HVG-320-54AB](#) [ELG-240-C1400AB](#) [EUK-150S105DV](#) [BXCS-12Z-N2P-B1-A](#) [BXPR-WN-01-A](#) [LN1224CV](#) [BXCS-12W-N2P-01-A](#) [HBG-160-24AB](#) [980100001200394](#) [980060001200376](#) [LC 14W 250-350MA FLEXC R ADV2](#) [LC 24W 500-600MA FLEXC R ADV2](#) [LC 36W 850-900MA FLEXC R ADV2](#) [LC 18W 24V ONE4ALL SC PRE](#) [LC 50W 200-350ML 170V FLEXC LP SNC4](#) [LC 25W 200-350ML 70V FLEXC LP SNC4](#) [LCBI 10W 350MA PHASE-CUT/1-10V LP](#) [LC 13W 300MA FIXC C SNC](#) [LC 10W 250MA FIXC SC SNC2](#) [LC 35W 800MA FIXC SR ADV2](#) [LC 38W 900MA FIXC SR ADV2](#) [LC 34W 800MA FIXC SC ADV2](#) [LC 44W 1050MA FIXC SC ADV2](#) [LC 38W 900MA 42V FIXC SRL ADV2](#) [PWM-40-36](#)