



**30W LED Driver with 2100mA Constant Current  
PDA030A LED Power Supply for Residential Lighting**



**Features**

- Constant Current
- OVP, OCP, Short/Open Circuit Protection
- IP66 Rating
- UL8750 Compliant
- SELV Compliant
- Brownout/Brownout Recovery
- Low Profile Design

**Applications**

- Indoor Lighting
- Architectural Lighting

**Safety Approvals**

- cUL/UL

**Mechanical Characteristics**

- Length: 80mm (3.15in)
- Width: 78mm (3.07in)
- Height: 25.4mm (1.00in)
- Weight: 215g (7.58oz)

**Output Specifications**

Model	Output Current	DC Output Voltage Range			Max Power
		Min.	Typ.	Max.	
PDA030A-2A1B-R	2080mA	6V	-	14V	30W

Phihong is not responsible for any error, and reserves the right to make changes without notice. Please visit our website at [www.phihong.com](http://www.phihong.com) for the most up-to-date specifications and contact information.

**INPUT:**

**AC Input Voltage**  
108 to 132VAC

**Nominal AC Input Voltage**  
120VAC

**Leakage Current**  
0.5mA maximum at 110VAC

**Maximum Input Current**  
400mA (RMS) at 108VAC

**Inrush Current**  
<30A at 132VAC, 60Hz

**OUTPUT:**  
**Output Power**  
30W

**Efficiency**  
80% minimum at full load, nominal AC input

**Power Factor**  
≥0.9 at full load, nominal AC input

**Output Current Ripple**  
<1664mA (p-p) at nominal AC input

**Turn-on/off Delay Time**  
0.5ms maximum at nominal AC power on

**ENVIRONMENTAL:**

Operating Temperature      -40 to +40°C  
Storage Temperature         -40 to +80°C

Operating Humidity         10 to 95%  
Storage Humidity            05 to 95%

**Warranty**  
3 Years

**Ingression Protection**  
IP66

**EMC**

FCC Part 15 Class B

**Immunity**

IEC61000-4-2  
IEC61000-4-3  
IEC61000-4-4  
IEC61000-4-5  
IEC61000-4-8  
IEC61000-4-11

**Isolation Test (HI-POT)**

Primary to secondary: 2000VAC for 1 minute, 10mA

**Insulation Resistance**

Primary to secondary: >5M OHM 500VDC, 1 minute

**FEATURES:**

**Input Over Current Protection**

The input power line will be fused with a 1A fuse

**Short Circuit Protection**

The Driver will withstand a short circuit across the outputs without damage

**Output Over Voltage Protection**

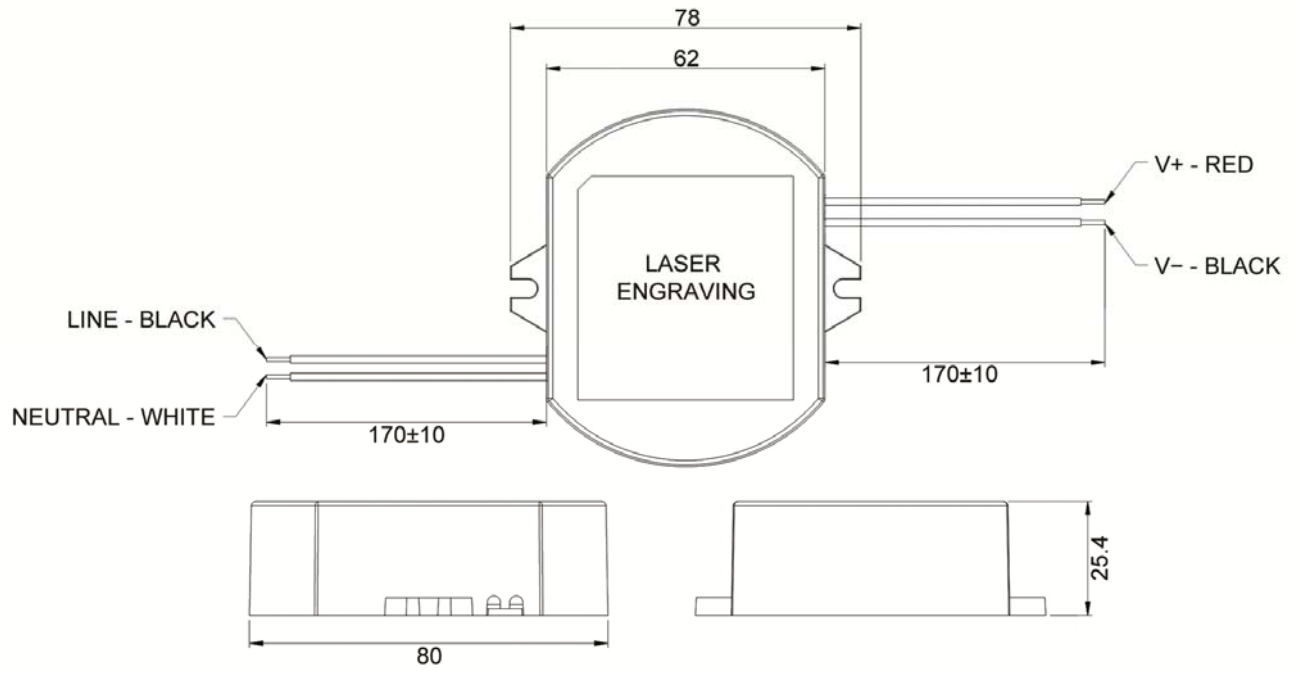
During no load condition, the over voltage protection trigger level is <20V.

**Lifetime**

10K Hours minimum

**Input / Output Wires (Solid or Stranded)**

Position	Terminal Color	Specification
Line	Black	AWG18
Neutral	White	AWG18
Vout+	Red	AWG18
Vout-	Black	AWG18



## X-ON Electronics

Largest Supplier of Electrical and Electronic Components

*Click to view similar products for [LED Power Supplies](#) category:*

*Click to view products by [Phihong](#) manufacturer:*

Other Similar products are found below :

[ESS015W-1000-12](#) [PDA-WIFI](#) [PIFC-K250F](#) [PITB-K222A](#) [ALD-514012PJ134](#) [LB240S24KH](#) [LMH020-SPLC-0000-0000001](#) [LMD600-0100-C1A7-7030000](#) [79534](#) [79535](#) [EUG-200S210DT](#) [ESS030W-1050-21](#) [ESS030W-0900-32](#) [BPOXL 4-12-035](#) [ESS010W-0350-24](#) [ESM060W-1400-42](#) [PDA080B-1A0G](#) [PDA150B-S1A5G](#) [ZPS-20](#) [SLM140W-1.05-130-ZA](#) [ESS015W-0700-18](#) [EUD-150S350DVA](#) [LWA320-C420-ARK-B](#) [HVG-240-48AB](#) [HVG-320-36AB](#) [HVG-320-54AB](#) [ELG-240-C1400AB](#) [EUK-150S105DV](#) [BXCS-12Z-N2P-B1-A](#) [BXPR-WN-01-A](#) [LN1224CV](#) [BXCS-12W-N2P-01-A](#) [HBG-160-24AB](#) [980100001200394](#) [980060001200376](#) [LC 14W 250-350MA FLEXC R ADV2](#) [LC 24W 500-600MA FLEXC R ADV2](#) [LC 36W 850-900MA FLEXC R ADV2](#) [LC 18W 24V ONE4ALL SC PRE](#) [LC 50W 200-350ML 170V FLEXC LP SNC4](#) [LC 25W 200-350ML 70V FLEXC LP SNC4](#) [LCBI 10W 350MA PHASE-CUT/1-10V LP](#) [LC 13W 300MA FIXC C SNC](#) [LC 10W 250MA FIXC SC SNC2](#) [LC 35W 800MA FIXC SR ADV2](#) [LC 38W 900MA FIXC SR ADV2](#) [LC 34W 800MA FIXC SC ADV2](#) [LC 44W 1050MA FIXC SC ADV2](#) [LC 38W 900MA 42V FIXC SRL ADV2](#) [PWM-40-36](#)